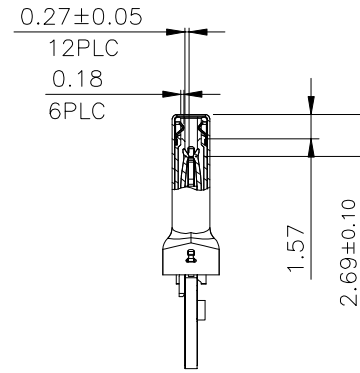
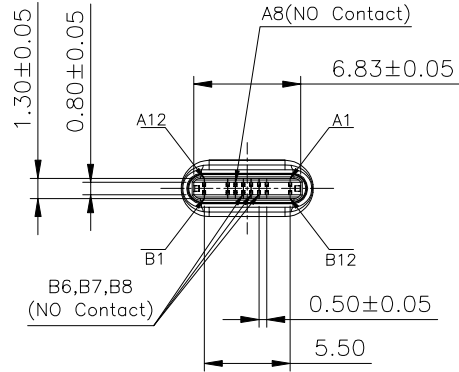


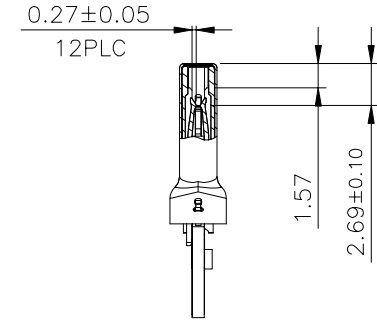
# HF

Halogen Free

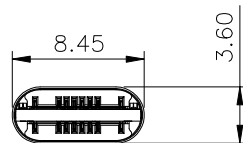
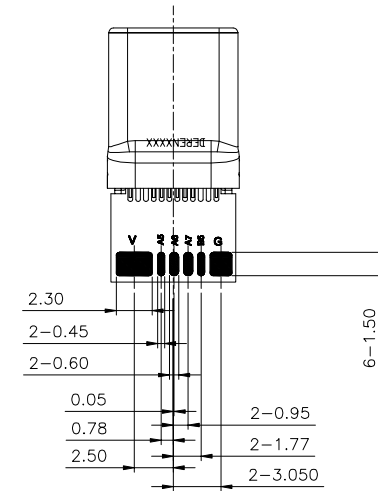
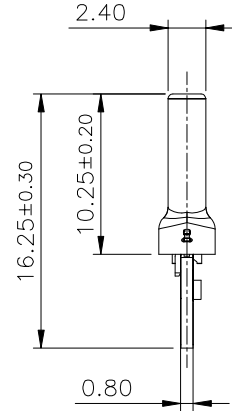
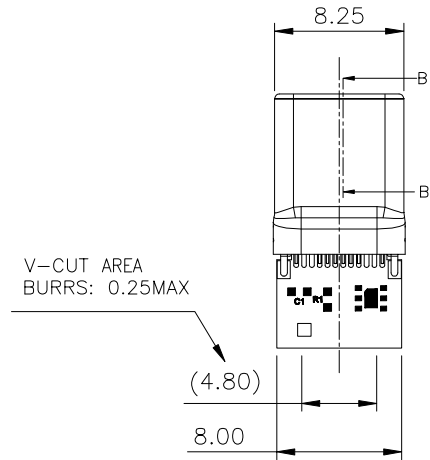
REV.	ECN NO.	LOCATION	DESCRIPTION	DATE	DESIGN
X1			INITIAL RELEASE	2020.06.16	Liangkeyao



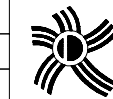
SECTION B-B  
SCALE 1:1  
(WITH EMI SPRING)



SECTION B-B  
SCALE 1:1  
(WITHOUT EMI SPRING)



DIM	TOL	DIM	TOL
x.	±0.30	x.	±2*
.x	±0.25	.x	±1*
.xx	±0.15		



**DEREN**  
SHENZHEN DEREN ELECTRONIC CO., LTD

DRAW NO.

\*\*\*

REV. X1

CUSTOMER DRAWING

DESIGN: Liangkeyao

CHECK:

APPROVAL:

DATE

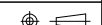
2020.06.16

TITLE: UC PLUG WITH PCB (C TO C 2.0 E-MARK HUSB332) ASSY

P/N: 40-42415-CC17xTxxxxx

SHEET: 1/3

SCALE: 1:1 UNIT: mm





# HF

Halogen Free

REV.	ECN NO.	LOCATION	DESCRIPTION	DATE	DESIGN
X1			INITIAL RELEASE	2020.06.16	Liangkeyao

### NOTES:

#### 1.MATERIAL

- 1.1 HSG: HIGH TEMPERATURE THERMOPLASTIC UL94V-0; COLOR: SEE PART NUMBER INFORMATION.
- 1.2 CONTACT: COPPER ALLOY
- 1.3 LATCH: STAINLESS STEEL
- 1.4 EMI SPRING: STAINLESS STEEL
- 1.5 SHELL: STEEL
- 1.6 PCB: FR4 4 LAYERS; COLOR: GREEN

#### 2. FINISH:

- 2.1 CONTACT:
  - Au MIN. PLATING SEE PART NUMBER INFORMATION, Au PLATING ON CONTACT AREA.
  - 100u" [2.54um] MIN. TIN PLATING ON SOLDER TAIL AREA.
  - 80u" [2.03um] MIN. NICKEL UNDERPLATING ON ALLOVER AREA.
- 2.2 SHELL
  - SEE PART NUMBER INFORMATION.
- 2.3 LATCH:
  - 100u" [2.54um] MIN. TIN PLATING ON SOLDER TAIL AREA.
  - 50u" [1.27um] MIN. NICKEL UNDERPLATING ON ALLOVER AREA.

#### 3. MATING FORCE: 5~20N;

UNMATING FORCE: 8~20N (0~1000 CYCLES) AND 6~20N AFTER 10000 CYCLES

#### 4. DIELECTRIC WITHSTANDING VOLTAGE: 300V AC/MINUTE FOR PER PIN

#### 5. INSULATION RESISTANCE: 100M OHM BETWEEN ADJACENT CONTACTS AT 300V DC

#### 6. TEMPERATURE RISING: 5A 30t FOR VBus AND GND PIN

#### 7. DATE CODE INFORMATION:

DEREN X XX XX X

ASSEMBLY LINE

DAY: 01~07 (SUN:01;MON:02)

WEEK: 01~53

YEAR: 0~9

LOGO: DEREN

### 8. PART NUMBER INFORMATION:

40-42415-C C 17 x T x x x xx

RESERVE NUMBER

SHELL PLATING:

0、A: PEARL NICKEL

1、B: NICKEL

2、C: GOLD(G/F)

3、D: SAND BLAST

LOGO:

0: WITH LOGO & WITHOUT EMI SPRING

1: WITHOUT LOGO & WITHOUT EMI SPRING

2: WITH LOGO & WITH EMI SPRING

3: WITHOUT LOGO & WITH EMI SPRING

HOUSING COLOR:

0: BLACK

1: WHITE

2: RED

3: YELLOW

PACKAGE CODE:

T: TRAY PACKING

PLATING CODE:

1: Au:30u"

2: G/F

3: Au:5u"

4: Au:10u"

5: Au:15u"

SERIAL NUMBER

PIN NUMBER CODE:

C: 12PINS

DIM	TOL	DIM	TOL
x.	±0.30	x.	±2°
.x	±0.25	.x	±1°
.xx	±0.15		



## DEREN

SHENZHEN DEREN ELECTRONIC CO., LTD

CUSTOMER DRAWING

DATE

TITLE: UC PLUG WITH PCB (C TO C 2.0 E-MARK HUSB332) ASSY

DESIGN: Liangkeyao

2020.06.16

P/N: 40-42415-CC17TxTxxxx

CHECK:

SHEET: 3/3

APPROVAL:

SCALE: 1:1 UNIT: mm

REV. X1