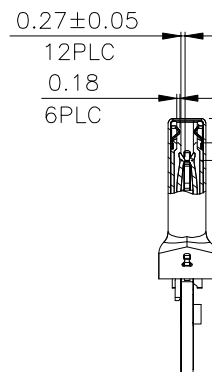
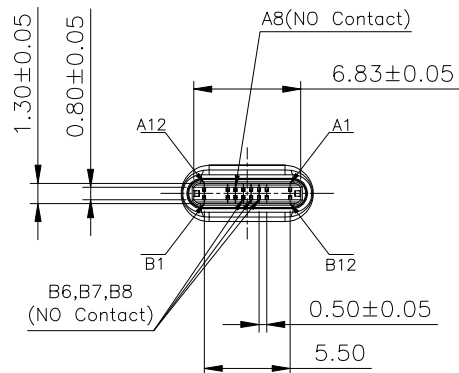


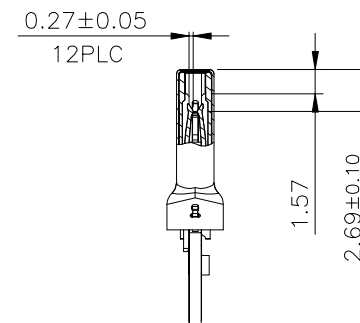
# HF

Halogen Free

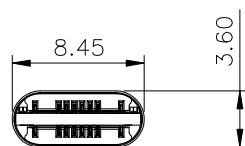
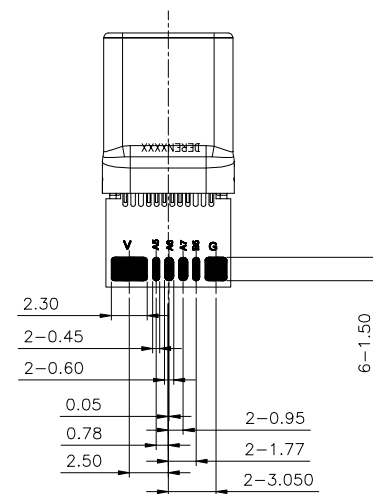
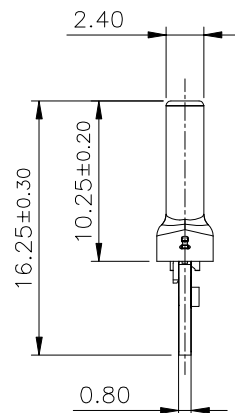
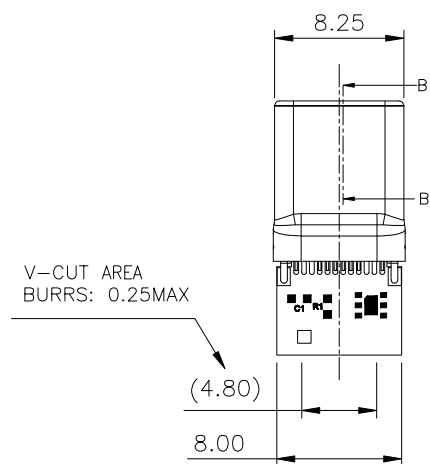
REV.	ECN NO.	LOCATION	DESCRIPTION	DATE	DESIGN
X1			INITIAL RELEASE	2020.06.16	Liangkeyao



SECTION B-B  
SCALE 1:1  
(WITH EMI SPRING)



SECTION B-B  
SCALE 1:1  
(WITHOUT EMI SPRING)



DIM	TOL	DIM	TOL
x.	±0.30	x.	±2*
.x	±0.25	.x	±1*
.xx	±0.15		



**DEREN**  
SHENZHEN DEREN ELECTRONIC CO., LTD

CUSTOMER DRAWING	DESIGN:	Liangkeyao	DATE	2020.06.16
	CHECK:			
	APPROVAL:			

TITLE:	UC PLUG WITH PCB (C TO C 2.0) ASSY		
P/N:	40-42415-CC18xTxxxxx		
SHEET:	1/3		
SCALE:	1:1	UNIT:	mm

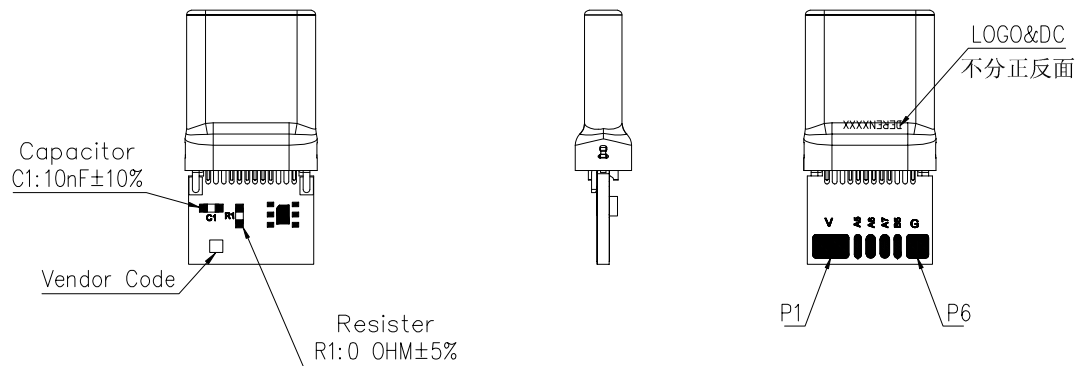
DRAW NO.

\*\*\*

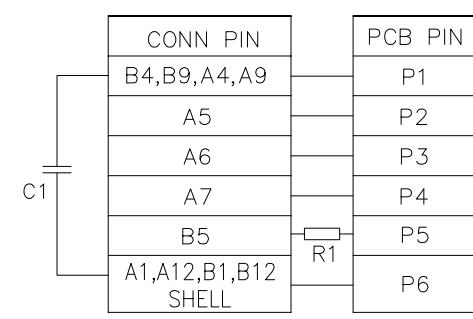
REV. X1

**HF**  
Halogen Free

REV.	ECN NO.	LOCATION	DESCRIPTION	DATE	DESIGN
X1			INITIAL RELEASE	2020.06.16	Liangkeyao



CONTACT FIGURE:



TIN THICK REQUEST:

- CABLE PAD (P2、P3、P4、P5) WITH TIN THICKNESS: 0.20~0.40mm
- CABLE PAD (P1、P6) WITH TIN THICKNESS: 0.25~0.45mm

PINS DESCRIPTION  
PLUG FRONT VIEW

A12	A11	A10	A9	A8	A7	A6	A5	A4	A3	A2	A1
GND			VBus		D-	D+	CC	VBus			GND
GND			VBus	Vconn				VBus			GND
B1	B2	B3	B4	B5	B6	B7	B8	B9	B10	B11	B12



**DEREN**  
SHENZHEN DEREN ELECTRONIC CO., LTD

DIM	TOL	DIM	TOL
x.	±0.30	x.	±2*
.x	±0.25	.x	±1*
.xx	±0.15		

CUSTOMER	DRAWING	DATE
DESIGN:	Liangkeyao	2020.06.16
CHECK:		
APPROVAL:		

TITLE: UC PLUG WITH PCB (C TO C 2.0) ASSY		
P/N:	40-42415-CC18xTxxxxx	
SHEET:	2/3	
SCALE:	1:1	UNIT: mm

DRAW NO.  
\*\*\*  
REV. X1

**HF**

Halogen Free

REV.	ECN NO.	LOCATION	DESCRIPTION	DATE	DESIGN
X1			INITIAL RELEASE	2020.06.16	Liangkeyao

## NOTES:

## 1. MATERIAL

- 1.1 HSG: HIGH TEMPERATURE THERMOPLASTIC UL94V-0; COLOR: SEE PART NUMBER INFORMATION.
- 1.2 CONTACT: COPPER ALLOY
- 1.3 LATCH: STAINLESS STEEL
- 1.4 EMI SPRING: STAINLESS STEEL
- 1.5 SHELL: STEEL
- 1.6 PCB: FR4 4 LAYERS; COLOR: GREEN

## 2. FINISH:

## 2.1 CONTACT:

- Au MIN. PLATING SEE PART NUMBER INFORMATION, Au PLATING ON CONTACT AREA.
- 100u" [2.54um] MIN. TIN PLATING ON SOLDER TAIL AREA.
- 80u" [2.03um] MIN. NICKEL UNDERPLATING ON ALLOVER AREA.

## 2.2 SHELL

SEE PART NUMBER INFORMATION.

## 2.3 LATCH:

- 100u" [2.54um] MIN. TIN PLATING ON SOLDER TAIL AREA.
- 50u" [1.27um] MIN. NICKEL UNDERPLATING ON ALLOVER AREA.

## 3. MATING FORCE: 5~20N;

UNMATING FORCE: 8~20N (0~1000 CYCLES) AND 6~20N AFTER 10000 CYCLES

## 4. DIELECTRIC WITHSTANDING VOLTAGE: 300V AC/MINUTE FOR PER PIN

## 5. INSULATION RESISTANCE: 100M OHM BETWEEN ADJACENT CONTACTS AT 300V DC

## 6. TEMPERATURE RISING: 5A 30t FOR VBus AND GND PIN

## 7. DATE CODE INFORMATION:

DEREN X XX XX X

ASSEMBLY LINE

DAY: 01~07 (SUN:01;MON:02)

WEEK: 01~53

YEAR: 0~9

LOGO: DEREN

## 8. PART NUMBER INFORMATION:

40-42415-C C 18 x T x x x xx

RESERVE NUMBER

SHELL PLATING:

- 0: A: PEARL NICKEL
- 1: B: NICKEL
- 2: C: GOLD(G/F)
- 3: D: SAND BLAST

LOGO:

- 0: WITH LOGO & WITHOUT EMI SPRING
- 1: WITHOUT LOGO & WITHOUT EMI SPRING
- 2: WITH LOGO & WITH EMI SPRING
- 3: WITHOUT LOGO & WITH EMI SPRING

HOUSING COLOR:

- 0: BLACK
- 1: WHITE
- 2: RED
- 3: YELLOW

PACKAGE CODE:

T: TRAY PACKING

PLATING CODE:

- 1: Au:30u"
- 2: G/F
- 3: Au:5u"
- 4: Au:10u"
- 5: Au:15u"

SERIAL NUMBER

PIN NUMBER CODE:

C: 12PINS

DIM	TOL	DIM	TOL
x.	±0.30	x.	±2"
.x	±0.25	.x	±1"
.xx	±0.15		

**DEREN**

SHENZHEN DEREN ELECTRONIC CO., LTD

CUSTOMER DRAWING

DATE

TITLE: UC PLUG WITH PCB  
(C TO C 2.0) ASSY

DESIGN: Liangkeyao

2020.06.16

P/N: 40-42415-CC18xTxxxxx

CHECK:

SHEET: 3/3

APPROVAL:

SCALE: 1:1 UNIT: mm

REV. X1