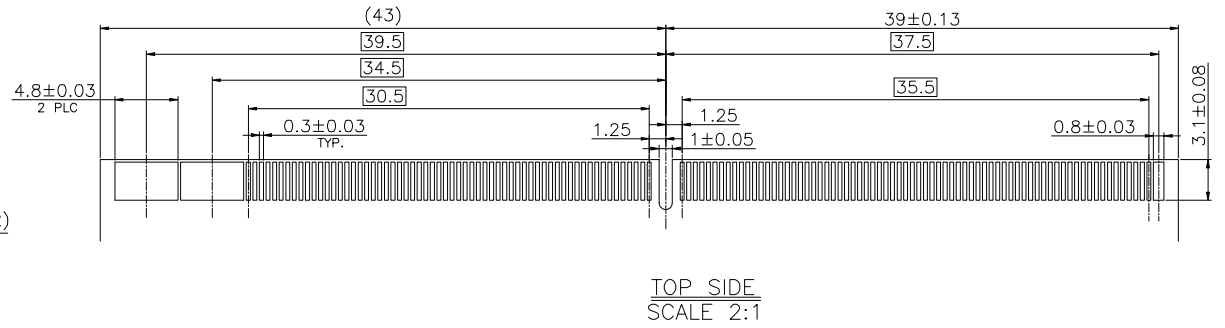
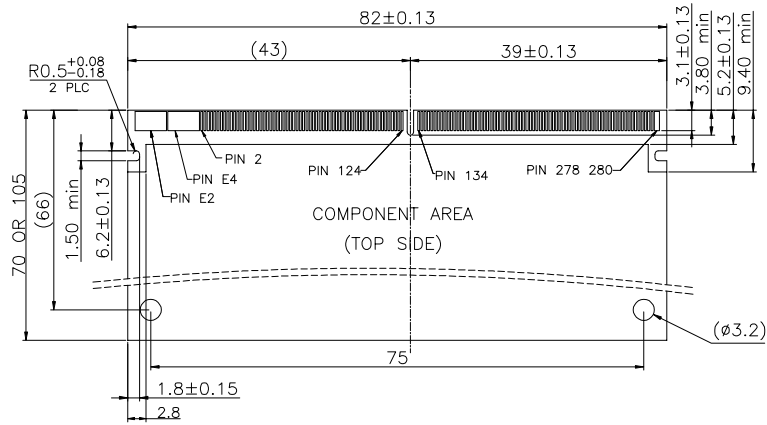


HF

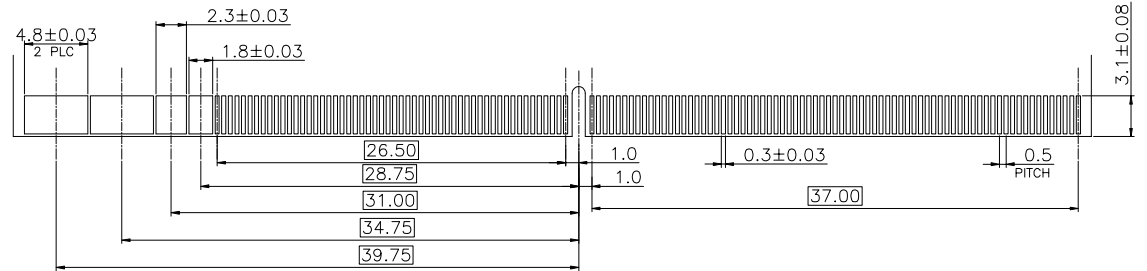
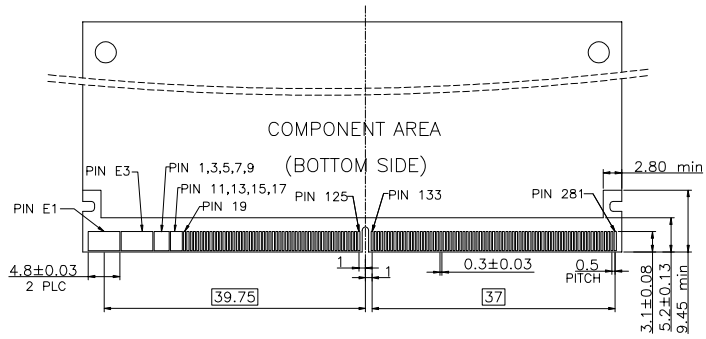
Halogen Free

RECOMMENDED MODULE CARD

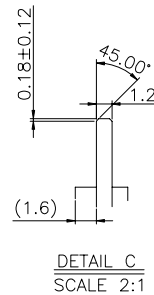
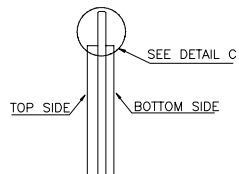
REV.	ECN NO.	LOCATION	DESCRIPTION	DATE	DESIGN
X1			NEW RELEASE	11/02'22	Mike Jiang



TOP SIDE
SCALE 2:1

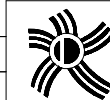


BOTTOM SIDE
SCALE 2:1



DETAIL C
SCALE 2:1

DIM	TOL	DIM	TOL
x.	± 0.30	x.	$\pm 2^\circ$
.x	± 0.25	.x	$\pm 1^\circ$
.xx	± 0.15		



DEREN
SHENZHEN DEREN ELECTRONIC CO., LTD

DRAW NO.
SC2006384

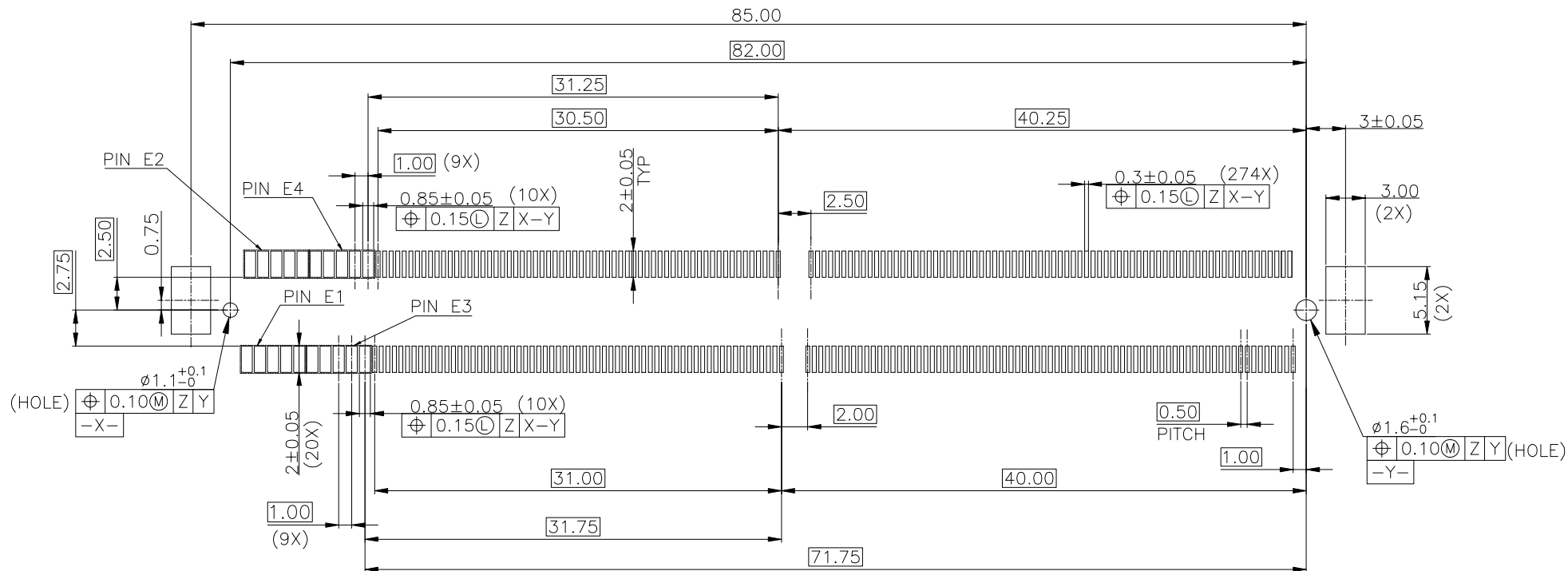
CUSTOMER DRAWING	DATE
DESIGN: Mike Jiang	11/02'22
CHECK: Bill.lin	11/02'22
APPROVAL: Bill.lin	11/02'22

TITLE: MXM 6.0H 314P SMT TYPE
P/N: 569H02-001H
SHEET: 2/4
SCALE: 1:1
UNIT: mm

HF

Halogen Free

REV.	ECN NO.	LOCATION	DESCRIPTION	DATE	DESIGN
X1			NEW RELEASE	11/021'22	Mike Jiang



RECOMMENDED PCB LAYOUT

TOP VIEW

DIM	TOL	DIM	TOL
x.	±0.30	x.	±2°
.x	±0.25	.x	±1°
.xx	±0.15		

**DEREN**

SHENZHEN DEREN ELECTRONIC CO., LTD

DRAW NO.	DESIGN:	DATE	TITLE:
SC2006384	Mike Jiang	11/02'22	MXM 6.0H 314P SMT TYPE
REV.	CHECK:		P/N:
X1	Bill.lin	11/02'22	569H02-001H
	APPROVAL:		SHEET:
	Bill.lin	11/02'22	3/4
			SCALE:
			2:1
			UNIT:
			mm

HF

Halogen Free

REV.	ECN NO.	LOCATION	DESCRIPTION	DATE	DESIGN
X1			NEW RELEASE	11/02'22	Mike Jiang

NOTES :

PACKAGING MATERIAL IN PLASTIC, RUBBER, INK, PIGMENT AND PAINT MUST MEET DEREN CONTROLLED SUBSTANCES SPEC.

* CADMIUM AND CADMIUM COMPOUNDS NOT TO EXCEED:
5 PPM.

* LEAD, CADMIUM, CHROM VI AND MERCURY NOT TO EXCEED:
100 PPM (COMBINED).

* CARRIER TAPES, COVER TAPES, REELS AND TAPED COMPONENTS MUST MEET THE REQUIREMENTS DEFINED PER EIA-481-B.

1. MATERIAL :

COVER TAPE : ANTISTATIC POLYESTER , COLOR: CLEAR

CARRIER TAPE : HIPS

REEL : PS

SHIPPING BOX: CORRUGATED FIBER

2. DIMENSION :

REEL : SEE DRAWING

BOX : SEE DRAWING

3. QUANTITY : SEE TABLE

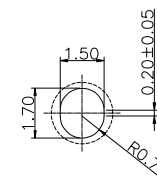
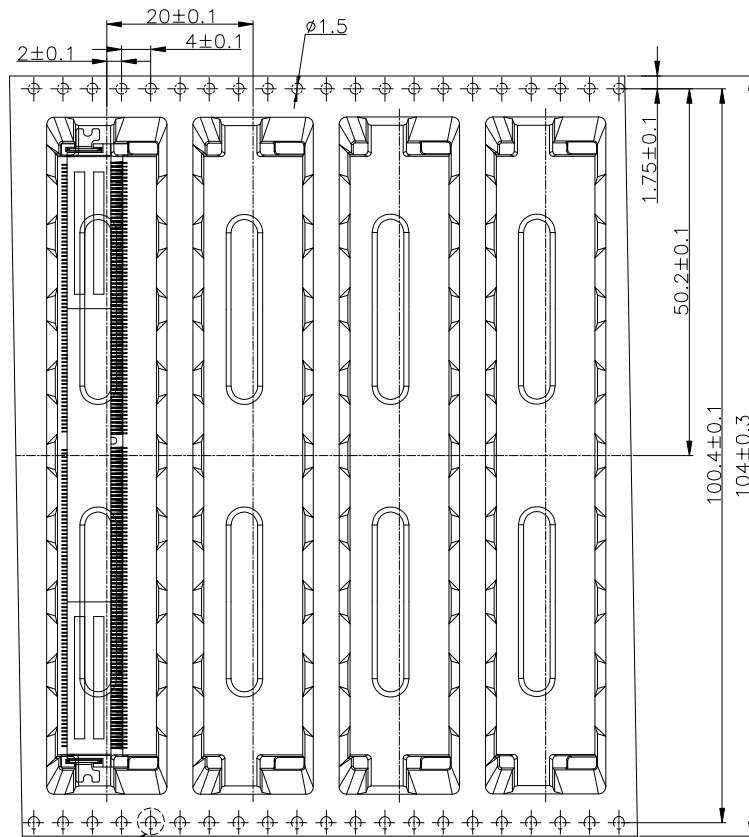
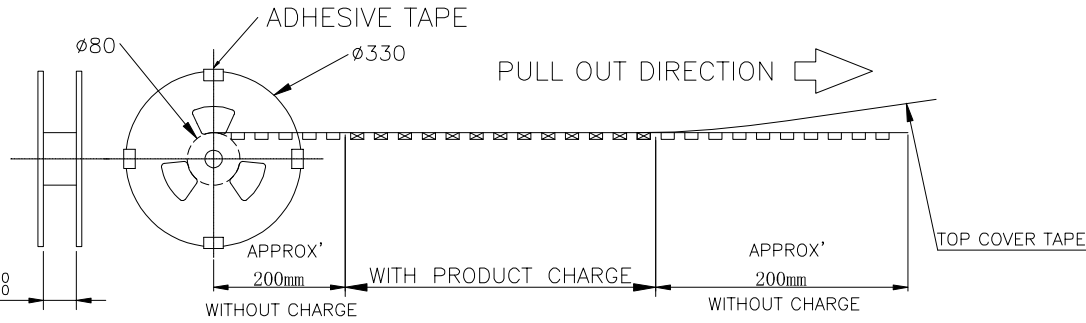
4. WEIGHT : SEE TABLE

5. PEELING RESISTANCE : 10gf~100gf (for 8mm)

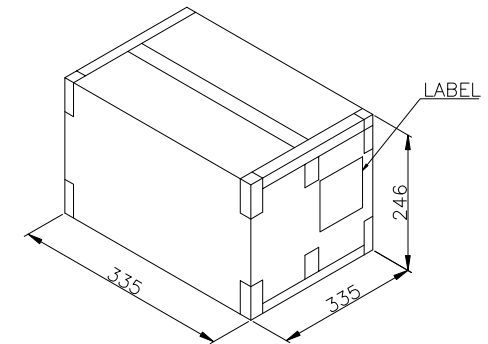
10gf~130gf (for 12mm~56mm)

10gf~150gf (for 72mm)

6. PEELING SPEED : 300mm/MINUTES

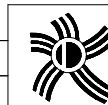


DETAIL A
SCALE 4:1



450	2	900	569H02-001H
PCS/ REEL	REEL/ CARTON	PCS/ CARTON	PART NUMBER

DIM	TOL	DIM	TOL
.x	±0.30	.x	±2'
.x	±0.20	.x	±1'
.xx	±0.15		



DEREN

SHENZHEN DEREN ELECTRONIC CO., LTD

CUSTOMER DRAWING		DATE		TITLE: MXM 6.0H 314P SMT TYPE	
DESIGN:	Mike Jiang	11/02'22		P/N: 569H02-001H	
CHECK:	Bill.jin	11/02'22		SHEET:	4/4
APPROVAL:	Bill.jin	11/02'22		SCALE:	1:1
REV.	X1			UNIT:	mm

