

# HF

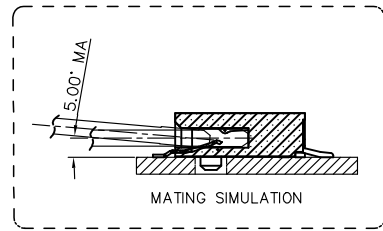
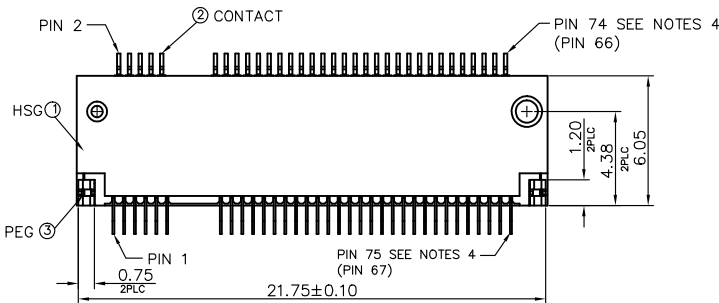
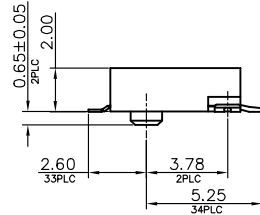
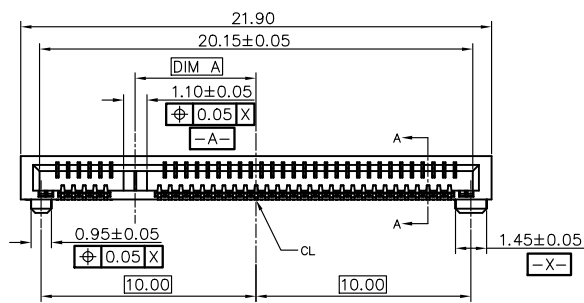
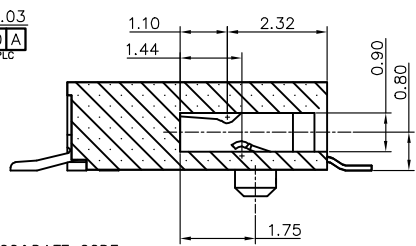
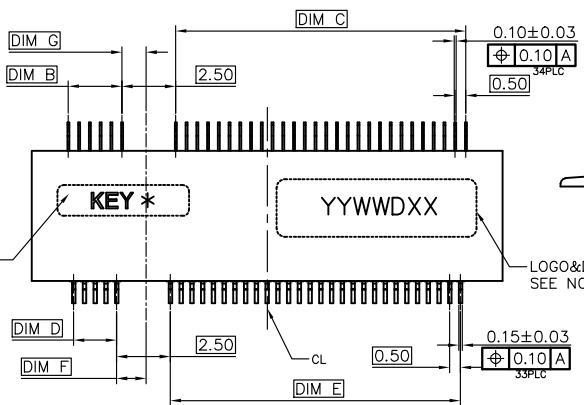
Halogen Free



KEY LIST SEE NOTES 5

LOGO&DATE CODE SEE NOTES 3

SECTION: A-A  
SCALE: 2:1



REV.	ECN NO.	LOCATION	DESCRIPTION	DATE	DESIGN
A			INITIAL RELEASE	06/15'22	YX

**NOTES:**  
 1. MATERIAL:  
 1.1 HOUSING: LCP, UL94V-0, COLOR: BLACK.  
 1.2 CONTACT: UPPER CONTACTS C5210-EH.  
 1.3 SOLDER PEG: SUS304.  
 2. FINISH:  
 2.1 CONTACT: 50u" MIN NICKEL UNDERPLATED ALL OVER, Au GF PLATING ON SOLDER TAIL. GOLD PLATING (THICKNESS SEE TABLE 1) ON CONTACT AREA.  
 2.2 SOLDER PEG: 50u" MIN NICKEL UNDERPLATED ALL OVER, 80u" MIN MATTE TIN PLATED ALL OVER.  
 3. DATE CODE : YYWWDX  
 YY: YEAR (09: 2009)  
 WW: WEEK (25: THE 25TH WEEK)  
 D: DAY (1~7: SUNDAY~SATURDAY)  
 XX: PRODUCTION CODE  
 4. RECOMMENDED STENCIL THICKNESS: 0.12MM  
 5. CONNECTOR ACTUAL PIN QUANTITY IS 67, AS THE KEY TAKING OUT 8 PINS.  
 562119-OXXH011R

**PACKAGE CODE:**  
 R: EMBOSS WIDTH 44mm, SLOT BACKWARD  
 1: EMBOSS WIDTH 44mm, SLOT FORWARD  
 2: EMBOSS WIDTH 32mm, SLOT FORWARD  
 3: EMBOSS WIDTH 32mm, SLOT BACKWARD

**Logo:**  
 0: No Logo  
 1: BR Logo

**Color:**  
 1: Black  
 2: White  
 RESERVED

**HALOGEN CODE:**  
 H: HALOGEN FREE

TABLE 1

		KEY-M					
TAPE&REEL	BLACK	3.3V	30u"	67	562119-020H0112		
TAPE&REEL	BLACK	3.3V	15u"	67	562119-019H0112		
TAPE&REEL	BLACK	3.3V	10u"	67	562119-018H0112		
TAPE&REEL	BLACK	3.3V	5u"	67	562119-017H0112		
TAPE&REEL	BLACK	3.3V	GF	67	562119-016H0112		
		KEY-E					
TAPE&REEL	BLACK	3.3V	30u"	67	562119-019H0112		
TAPE&REEL	BLACK	3.3V	15u"	67	562119-014H0112		
TAPE&REEL	BLACK	3.3V	10u"	67	562119-013H0112		
TAPE&REEL	BLACK	3.3V	5u"	67	562119-012H0112		
TAPE&REEL	BLACK	3.3V	GF	67	562119-011H0112		
		KEY-B					
TAPE&REEL	BLACK	3.3V	30u"	67	562119-010H0112		
TAPE&REEL	BLACK	3.3V	15u"	67	562119-009H0112		
TAPE&REEL	BLACK	3.3V	10u"	67	562119-008H0112		
TAPE&REEL	BLACK	3.3V	5u"	67	562119-007H0112		
TAPE&REEL	BLACK	3.3V	GF	67	562119-006H0112		
		KEY-A					
TAPE&REEL	BLACK	3.3V	30u"	67	562119-009H0112		
TAPE&REEL	BLACK	3.3V	15u"	67	562119-004H0112		
TAPE&REEL	BLACK	3.3V	10u"	67	562119-003H0112		
TAPE&REEL	BLACK	3.3V	5u"	67	562119-002H0112		
TAPE&REEL	BLACK	3.3V	GF	67	562119-001H0112		
PACKING TYPE	HOUSING COLOR	POWER SUPPLY	FINISH	POS	DEREN P/N		

KEY M	-6.125	14.0	2.0	14.0	1.5	1.125	1.375
KEY L	-5.125	13.0	3.0	13.0	2.5	1.125	1.375
KEY K	-4.125	12.0	4.0	12.0	3.5	1.125	1.375
KEY J	-3.125	11.0	5.0	11.0	4.5	1.125	1.375
KEY H	-2.125	10.0	6.0	10.0	5.5	1.125	1.375
KEY G	-1.125	9.0	7.0	9.0	6.5	1.125	1.375
KEY F	1.625	6.5	9.5	6.0	9.5	1.375	1.125
KEY E	2.625	5.5	10.5	5.0	10.5	1.375	1.125
KEY D	3.625	4.5	11.5	4.0	11.5	1.375	1.125
KEY C	4.625	3.5	12.5	3.0	12.5	1.375	1.125
KEY B	5.625	2.5	13.5	2.0	13.5	1.375	1.125
KEY A	6.625	1.5	14.5	1.0	14.5	1.375	1.125
KEY NAME	DIM A	DIM B	DIM D	DIM E	DIM F	DIM G	

DIM	TOL	DIM	TOL
x.	±0.30	x.	±2'
.x	±0.25	.x	±1'
.xx	±0.15		



**DEREN**  
 SHENZHEN DEREN ELECTRONIC CO., LTD

CUSTOMER DRAWING    DATE    TITLE: NGFF 2.0H GEN4 C DWG(DR LOGO)

DESIGN: YX    06/15'22    P/N: 562119-OXXH0112

CHECK: Mike Chen    06/15'22    SHEET: 1/3

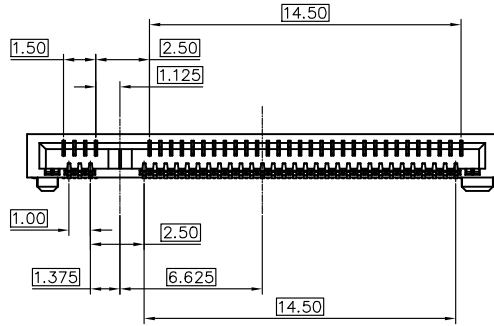
REV. A    APPROVAL: Bill Lin    06/15'22    SCALE: N/A    UNIT: mm

**HF**

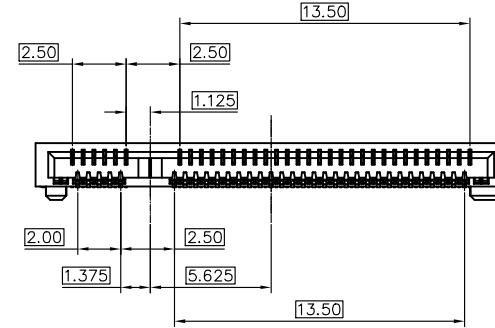
Halogen Free



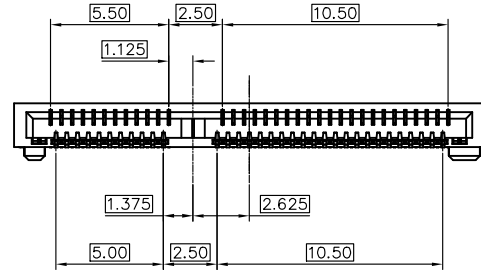
REV.	ECN NO.	LOCATION	DESCRIPTION	DATE	DESIGN
A			INITIAL RELEASE	06/15'22	YX



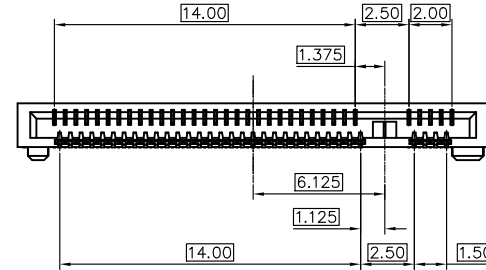
KEY A



KEY B

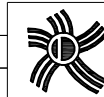


KEY E



KEY M

DIM	TOL	DIM	TOL
x.	±0.30	x.	±2'
.x	±0.25	.x	±1'
.xx	±0.15		



**DEREN**  
SHENZHEN DEREN ELECTRONIC CO., LTD

DRAW NO. <b>SC2006211</b>	DESIGN: YX	DATE: 06/15'22	TITLE: NGFF 2.0H GEN4 C DWG(DR LOGO)
REV. A	CHECK: Mike Chen	DATE: 06/15'22	P/N: 562119-0XXH0112
	APPROVAL: Bill Lin	DATE: 06/15'22	SHEET: 2/4
			SCALE: N/A UNIT: mm

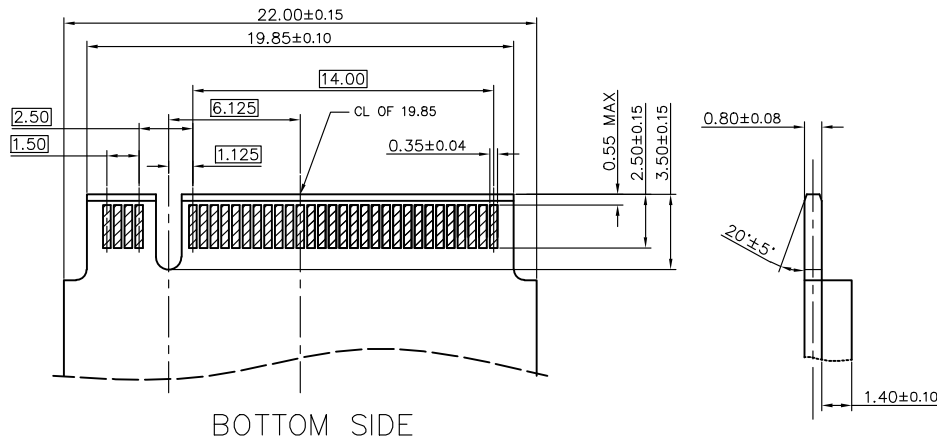
**HF**

Halogen Free

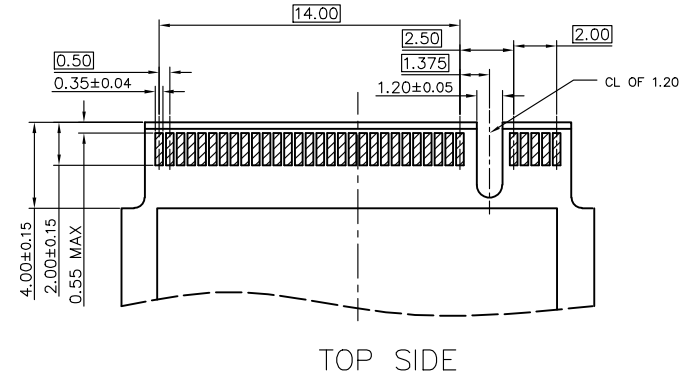


PLUG PCB

REV.	ECN NO.	LOCATION	DESCRIPTION	DATE	DESIGN
A			INITIAL RELEASE	06/15'22	YX

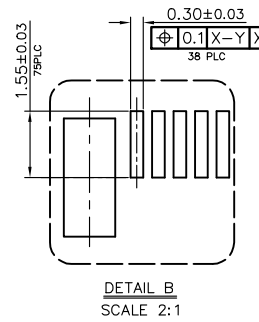
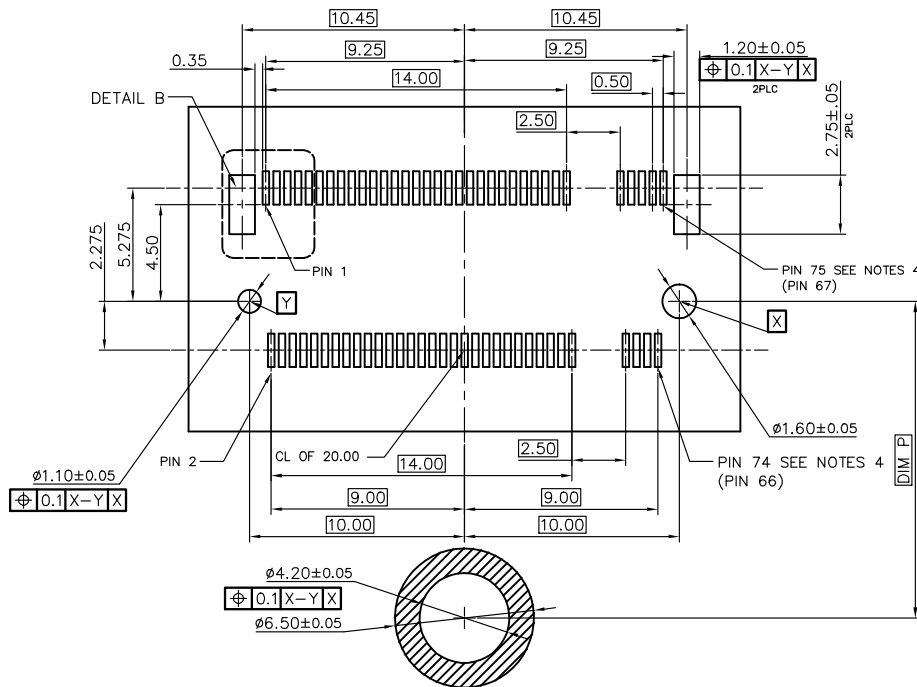


BOTTOM SIDE



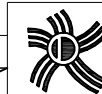
TOP SIDE

RECOMMENDED PCB LAYOUT



22110	108.25
2280	78.25
2260	58.25
2242	40.25
2230	28.25
3042	40.25
3030	28.25
MODULE TYPE	DIM P

DIM	TOL	DIM	TOL
x.	±0.30	x.	±2°
.x	±0.25	.x	±1°
.xx	±0.15		



**DEREN**  
SHENZHEN DEREN ELECTRONIC CO., LTD

DRAW NO.  
**SC2006211**

CUSTOMER DRAWING	DESIGN:	DATE
	YX	06/15'22
CHECK:	Mike Chen	06/15'22
APPROVAL:	Bill Lin	06/15'22

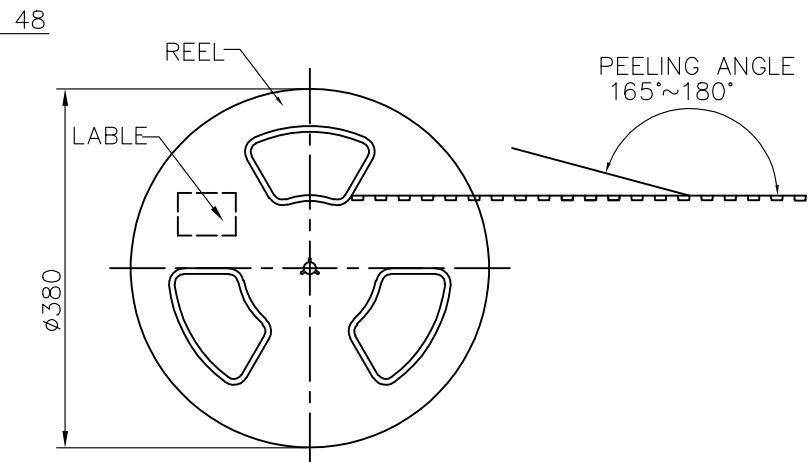
TITLE: NGFF 2.0H GEN4 C DWG(DR LOGO)	P/N: 562119-0XXH0112
SHEET: 3/4	SCALE: N/A
UNIT: mm	

**HF**

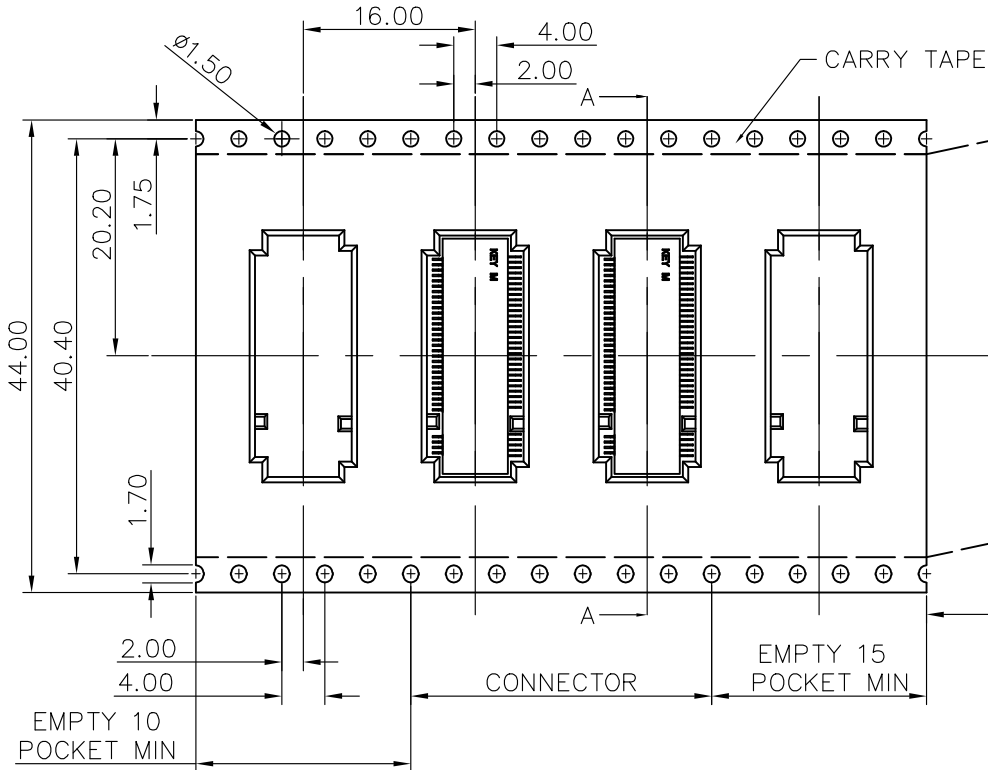
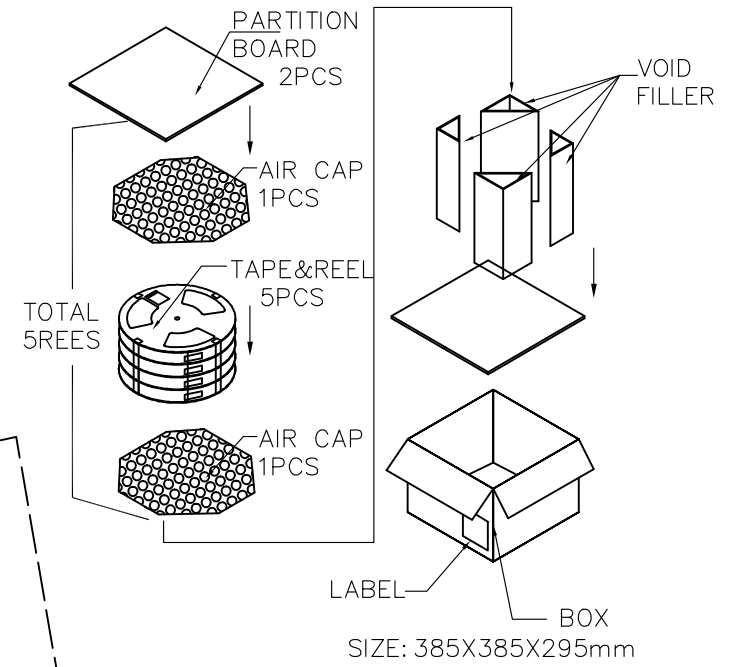
Halogen Free



FEEDING DIRECTION →



REV.	ECN NO.	LOCATION	DESCRIPTION	DATE	DESIGN
A			INITIAL RELEASE	06/15'22	YX



1500	5	7500	X.XXXKg	X.XXXKg
PCS/TAPE	REELS/BOX	PCS/BOX	GROSS WEIGHT	NET WEIGHT

DIM	TOL	DIM	TOL
x.	±0.30	x.	±2'
.x	±0.25	.x	±1'
.xx	±0.15		



<b>DEREN</b>		SHENZHEN DEREN ELECTRONIC CO., LTD	
CUSTOMER DRAWING	DATE	TITLE: NGFF 2.0H GEN4 C DWG(DR LOGO)	
DESIGN: YX	06/15'22	P/N: 562119-0XXH0112	
CHECK: Mike Chen	06/15'22	SHEET: 4/4	
REV. A	APPROVAL: Bill Lin	06/15'22	SCALE: N/A UNIT: mm