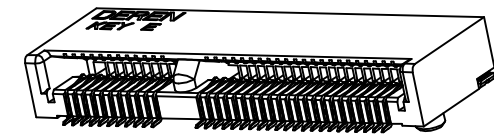
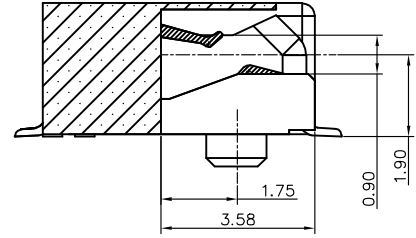
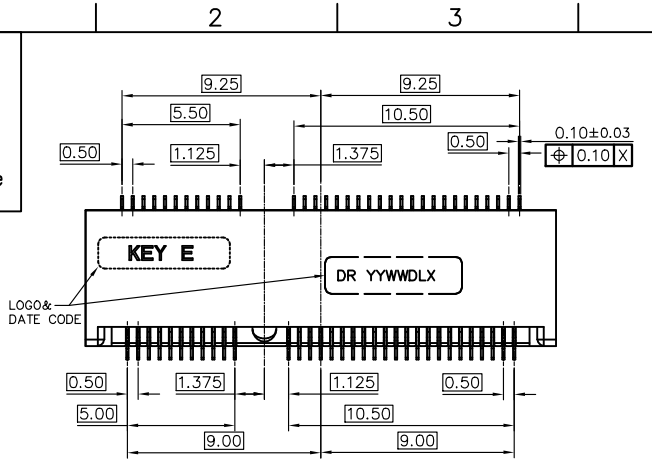


HF

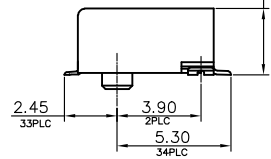
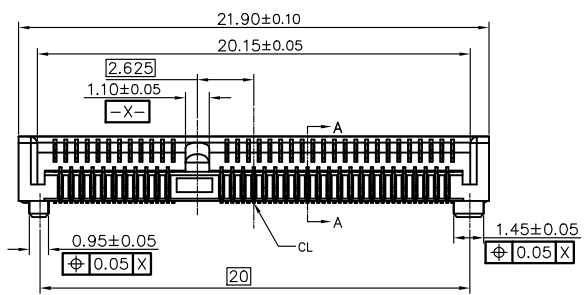
Halogen Free



REV.	ECN NO.	LOCATION	DESCRIPTION	DATE	DESIGN
A			INITIAL RELEASE	07/19'22	YX



NOTES:
 1. MATERIAL:
 1.1 HOUSING: HIGH TEMPERATURE THERMOPLASTIC, UL94V-0, COLOR: BLACK.
 1.2. CONTACT: COPPER ALLOY.
 1.3. SOLDER PEG: STAINLESS STEEL.
 2. FINISH:
 2.1 CONTACT: UNDERPLATING NICKEL 50u" MIN ALL OVER. MATING AREA: GOLD PLATING, THICKNESS SEE TABLE LIST. SOLDER AREA: GOLD FLASH ON SOLDER TAIL.
 2.2 SOLDER PEG: UNDERPLATING NICKEL 50u" MIN ALL OVER, 80u" MIN MATTE TIN ON SURFACE.
 3. LOGO&DATE CODE : LOGO: DR OR DEREN, DATE CODE: YYWDLX
 YY: YEAR (09: 2009)
 WW: WEEK (25: THE 25TH WEEK)
 D: DAY (1~7: SUNDAY~SATURDAY)
 L: LINE NUMBER OF ASSEMBLY (A: LINE A)
 X: MANUFACTURE CODE
 4. RECOMMENDED STENCIL THICKNESS: 0.12MM
 5. CONNECTOR ACTUAL PIN QUANTITY IS 67, AS THE KEY TAKING OUT 8 PINS.



562135-00XH011R

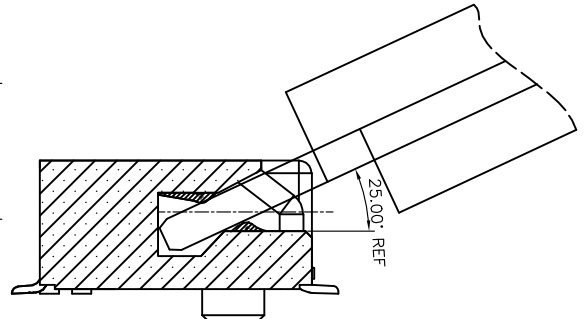
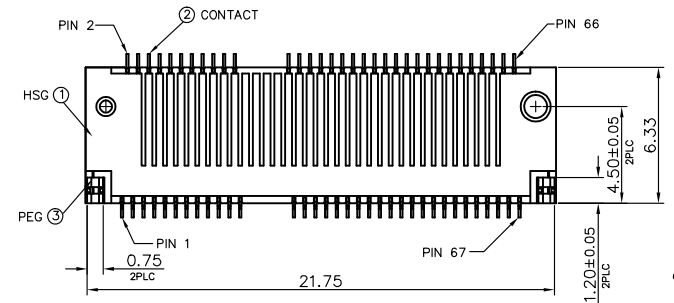
PACKAGE CODE:
 R: EMBOSS WIDTH 44mm, SLOT BACKWARD
 1: EMBOSS WIDTH 44mm, SLOT FORWARD
 2: EMBOSS WIDTH 32mm, SLOT FORWARD
 3: EMBOSS WIDTH 32mm, SLOT BACKWARD

Logo:
 0: No Logo
 1: DR Logo

Color:
 1: Black
 2: White
 RESERVED

HALOGEN CODE:
 H: HALOGEN FREE

PLATING CODE:
 1: GF 2: Au5u"
 3: Au10u" 4: 15u" 5: Au30u"



MATING SIMILAR SCALE: 2:1

DIM	TOL	DIM	TOL
x.	±0.30	x.	±2'
	±0.25	.x	±1'
.xx	±0.20		
.xxx	±0.1		



DEREN		SHENZHEN DEREN ELECTRONIC CO., LTD	
CUSTOMER DRAWING	DATE	TITLE: NGFF 3.2H Key-E(GEN4) CONN	
DESIGN: YX	07/19'22	P/N: 562135-00XH011R	
CHECK: Mike.chen	07/19'22	SHEET: 1/3	
REV. A	APPROVAL: Bill.Lin	07/19'22	SCALE: N/A UNIT: mm

1 2 3 4 5 6 7 8

A B C D E

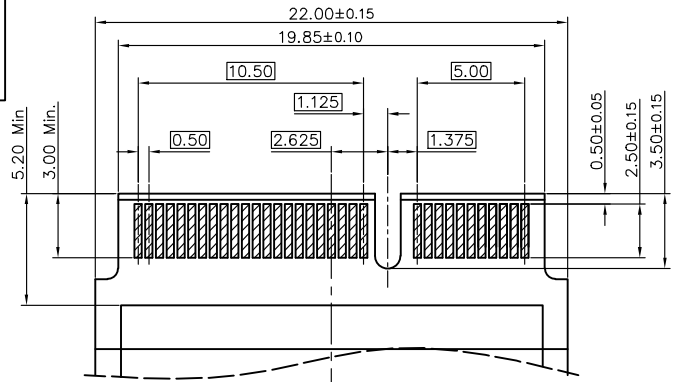
HF

Halogen Free

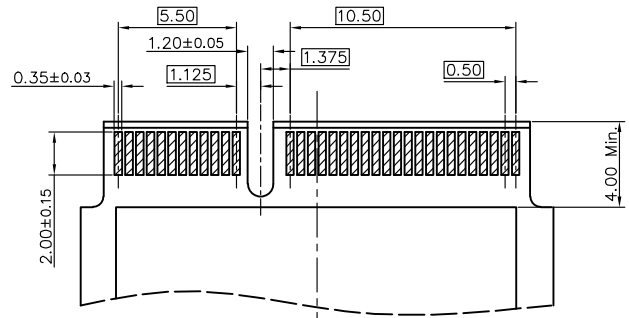
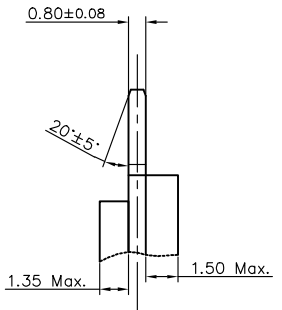


PLUG PCB

REV.	ECN NO.	LOCATION	DESCRIPTION	DATE	DESIGN
A			INITIAL RELEASE	07/19'22	YX

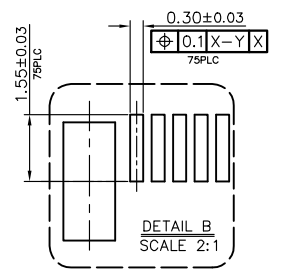
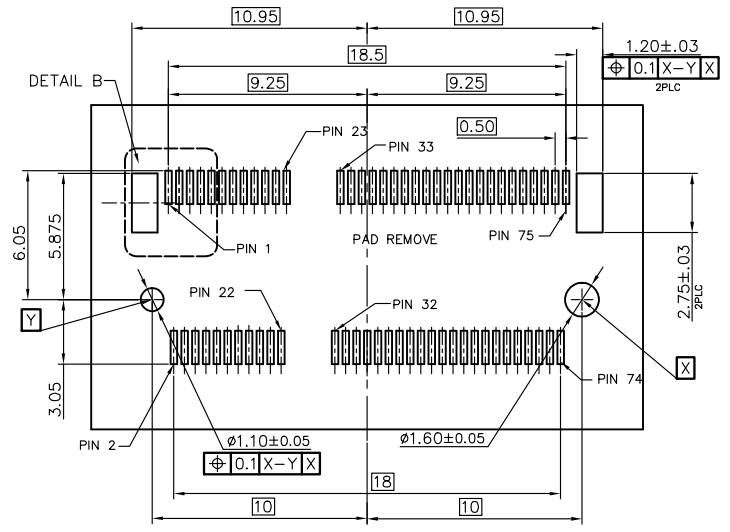


BOTTOM SIDE



TOP SIDE

RECOMMENDED NGFF MINI CARD MOUNTING TYP PCB_LAYOUT



DIM	TOL	DIM	TOL
x.	±0.30	x.	±2'
.x	±0.25	x	±1'
.xx	±0.15		

DEREN
SHENZHEN DEREN ELECTRONIC CO., LTD

CUSTOMER DRAWING DATE: 07/19'22
DESIGN: YX
CHECK: Mike.chen
APPROVAL: Bill.Lin

DRAW NO. SC2006658
REV. A

TITLE: NGFF 3.2H Key-E(GEN4) CONN
P/N: 562135-00XH011R
SHEET: 2/3
SCALE: N/A UNIT: mm

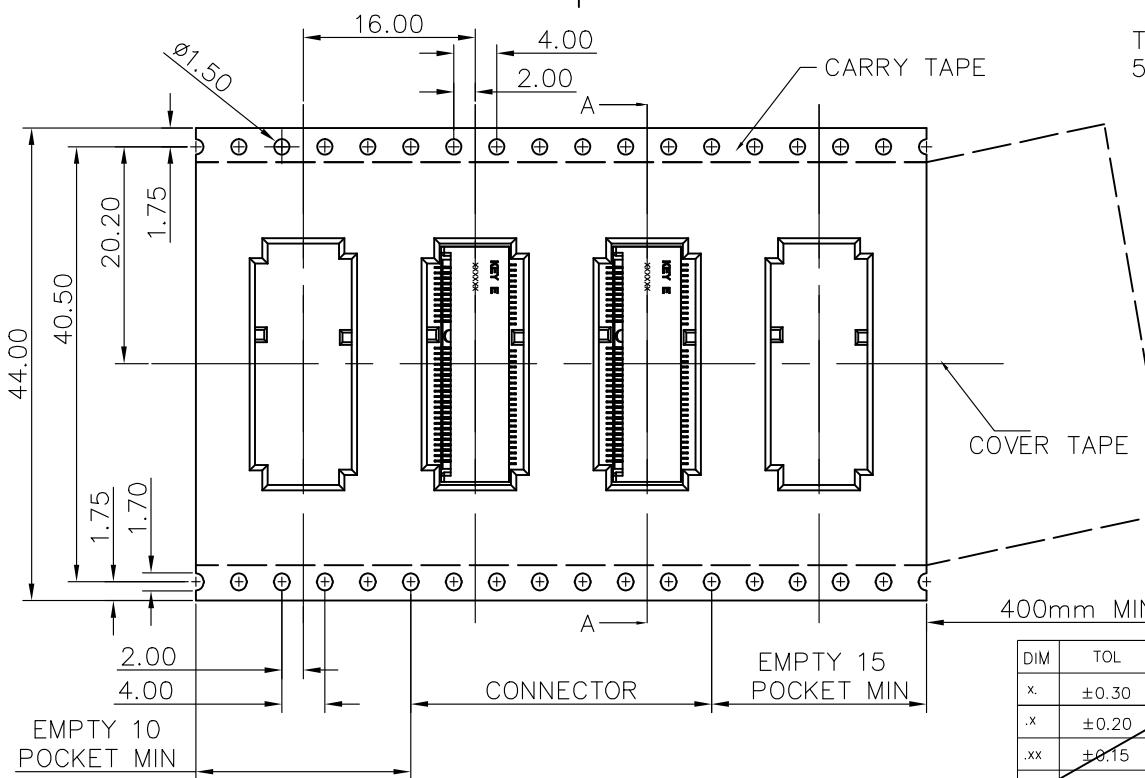
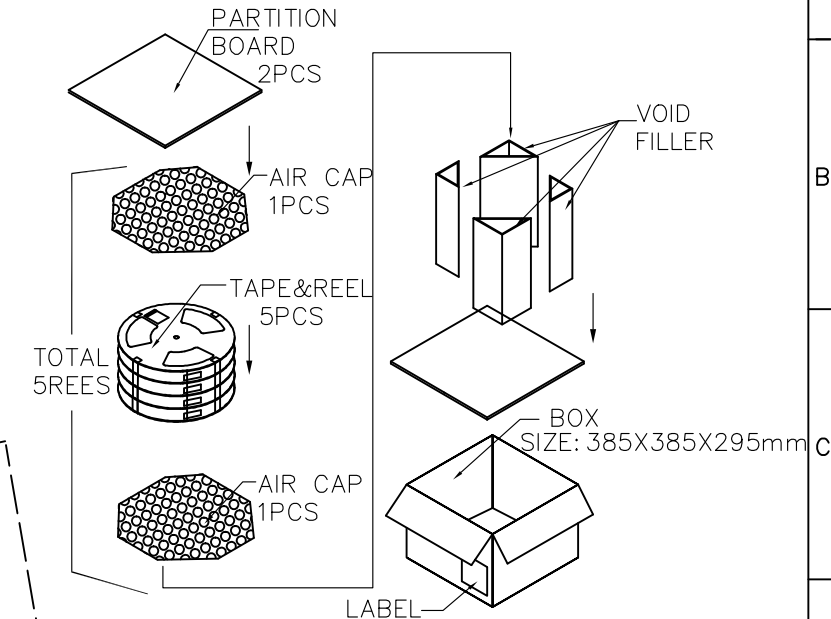
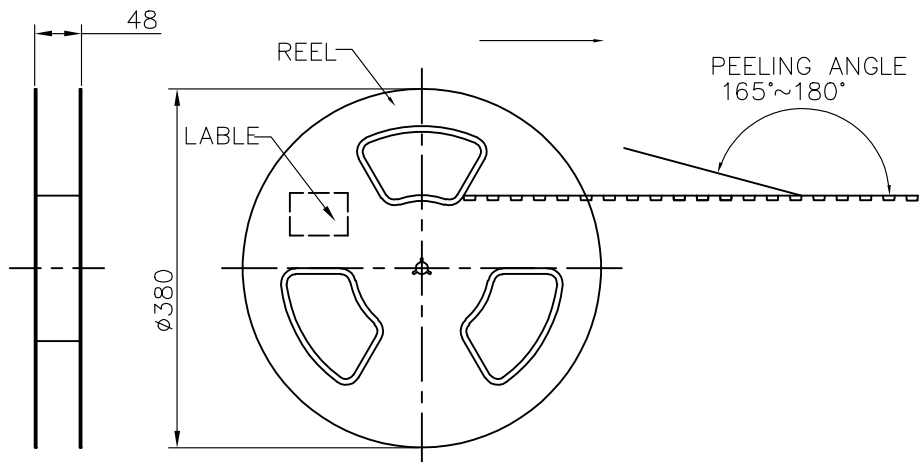
HF

Halogen Free



FEEDING DIRECTION

REV.	ECN NO.	LOCATION	DESCRIPTION	DATE	DESIGN
A			INITIAL RELEASE	07/19'22	YX



1400	5	7000	8.7	3.43Kg
PCS/TAPE	REELS/BOX	PCS/BOX	GROSS WEIGHT	NET WEIGHT

DIM	TOL	DIM	TOL
.x	±0.30	.x	±2'
.x	±0.20	.x	±1'
.xx	±0.15		



DEREN		SHENZHEN DEREN ELECTRONIC CO., LTD	
CUSTOMER DRAWING	DATE	TITLE: NGFF 3.2H Key-E(GEN4) CONN	
DESIGN: YX	07/19'22	P/N: 562135-00XH011R	
CHECK: Mike.chen	07/19'22	SHEET: 3/3	
REV. A	APPROVAL: Bill.Lin	07/19'22	SCALE: N/A UNIT: mm

1 2 3 4 5 6 7 8

A B C D E