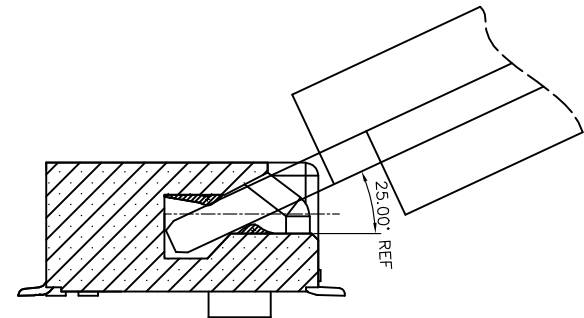
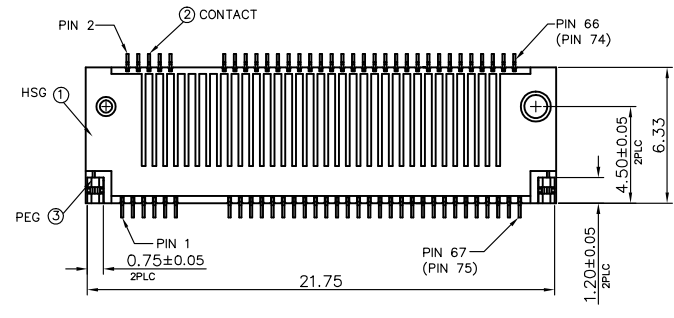
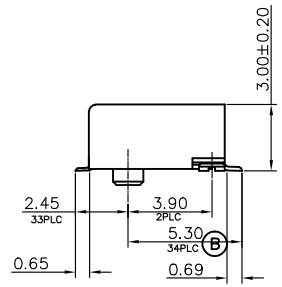
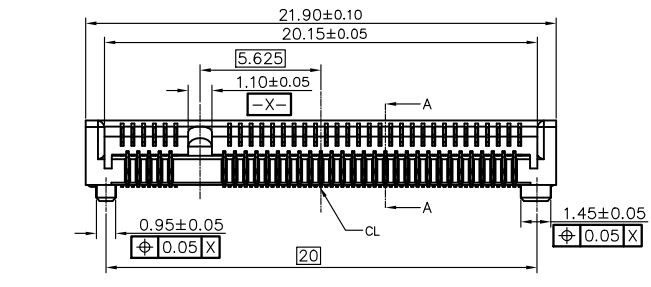
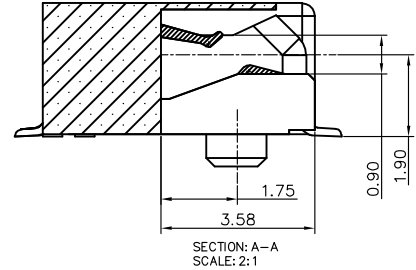
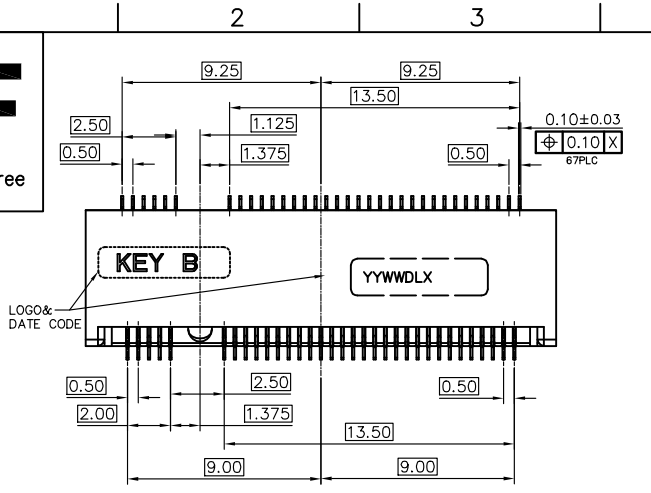


HF
Halogen Free



MATING SIMILAR
SCALE: 2:1

REV.	ECN NO.	LOCATION	DESCRIPTION	DATE	DESIGN
A			INITIAL RELEASE	03/10'22	YX
B		(B)	UPDATE DRAWING	04/25'22	YX
C		(C)	变更新料号	09/01'22	YX

NOTES:
 1. MATERIAL:
 1.1 HOUSING: HIGH TEMPERATURE THERMOPLASTIC, UL94V-0, COLOR: BLACK.
 1.2. CONTACT: COPPER ALLOY.
 1.3. SOLDER PEG: STAINLESS STEEL.
 2. FINISH:
 2.1 CONTACT: UNDERPLATING NICKEL 50u" MIN ALL OVER. MATING AREA: GOLD PLATING, THICKNESS SEE TABLE LIST. SOLDER AREA: GOLD FLASH ON SOLDER TAIL.
 2.2 SOLDER PEG: UNDERPLATING NICKEL 50u" MIN ALL OVER, 80u" MIN MATTE TIN ON SURFACE
 3. LOGO&DATE CODE : LOGO: NO LOGO, DATE CODE: YYWDLX
 YY: YEAR (09: 2009)
 WW: WEEK (25: THE 25TH WEEK)
 D: DAY (1~7: SUNDAY~SATURDAY)
 L: LINE NUMBER OF ASSEMBLY (A: LINE A)
 X: MANUFACTURE CODE
 4. RECOMMENDE STENCIL THICKNESS : 0.12MM MIN
 5. CONNECTOR ACTUAL PIN QUANTITY IS 67, AS THE KEY TAKING OUT 8 PINS.

© 562134-00XH011R

PACKAGE CODE:
 R: EMBOSS WIDTH 44mm, SLOT BACKWARD
 1: EMBOSS WIDTH 44mm, SLOT FORWARD
 2: EMBOSS WIDTH 32mm, SLOT FORWARD
 3: EMBOSS WIDTH 32mm, SLOT BACKWARD

Logo:
 0: No Logo
 1: DR Logo

Color:
 1: Black
 2: White
 RESERVED

HALOGEN CODE:
 H: HALOGEN FREE

PLATING CODE:
 1: GF 2: Au5u" 3: Au10u" 4: 15u" 5: Au30u"

DIM	TOL	DIM	TOL
.x	±0.30	.x	±2'
.x	±0.25	.x	±1'
.xx	±0.15		
.xxx	±0.05		



DEREN
SHENZHEN DEREN ELECTRONIC CO., LTD

CUSTOMER DRAWING	DATE	TITLE: NGFF 3.2H Key-B(GEN4) CONN
DESIGN: YX	09/01'22	P/N: 562134-00IH011R
CHECK: Mike Chen	09/01'22	SHEET: 1/3
APPROVAL: Bill.Lin	09/01'22	SCALE: N/A UNIT: mm

DRAW NO. SC2006657
REV. C

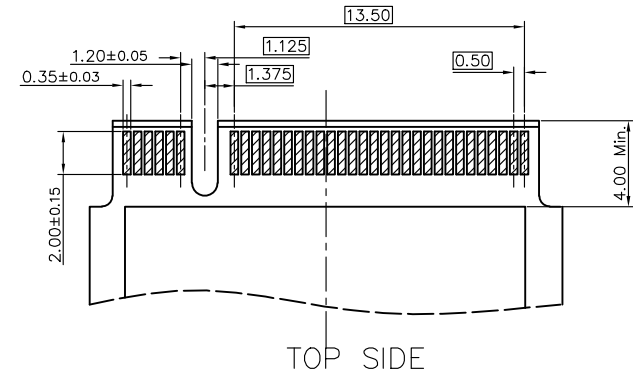
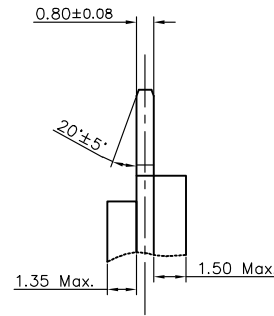
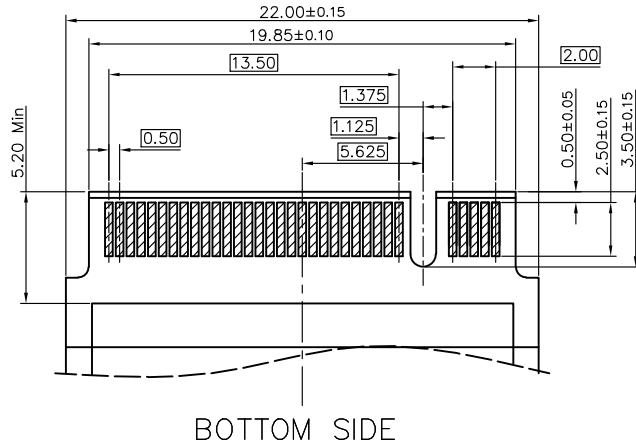
HF

Halogen Free



PLUG PCB

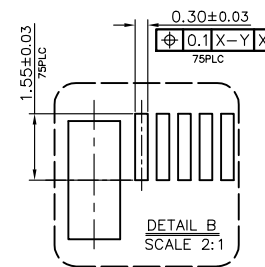
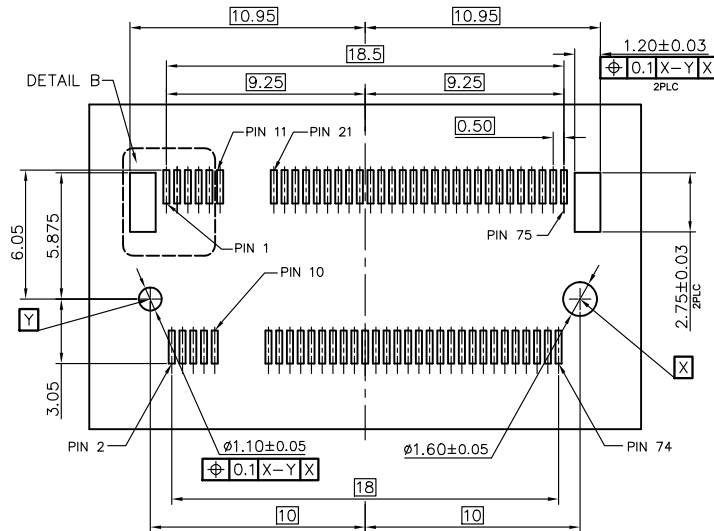
REV.	ECN NO.	LOCATION	DESCRIPTION	DATE	DESIGN
A			INITIAL RELEASE	03/10'22	YX
B		(B)	UPDATE DRAWING	04/25'22	YX
C			变更新料号	09/01'22	YX



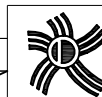
BOTTOM SIDE

TOP SIDE

RECOMMENDED NGFF MOUNTING TYP PCB_LAYOUT



DIM	TOL	DIM	TOL
x.	±0.30	x.	±2°
.x	±0.25	.x	±1°
.xx	±0.15		



DEREN
SHENZHEN DEREN ELECTRONIC CO., LTD

DRAW NO.
SC2006657

CUSTOMER DRAWING	DATE
DESIGN: YX	09/01'22
CHECK: Mike Chen	09/01'22
APPROVAL: Bill.Lin	09/01'22

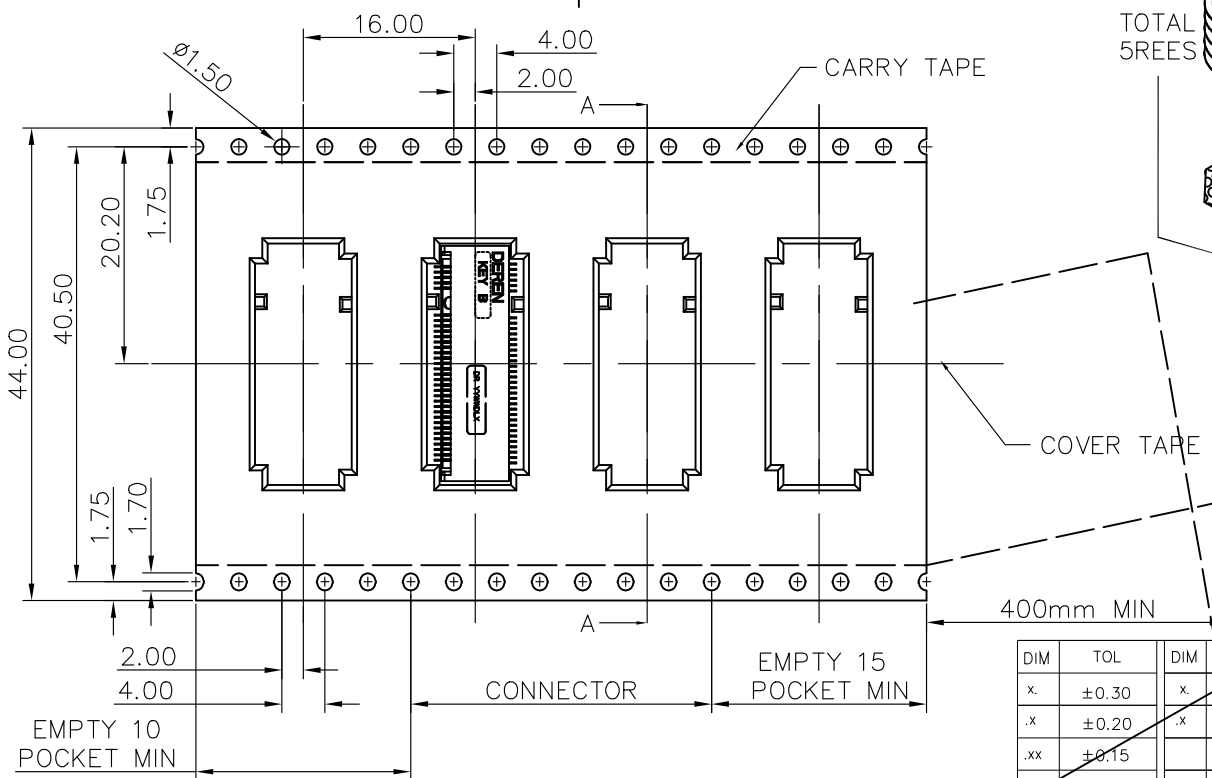
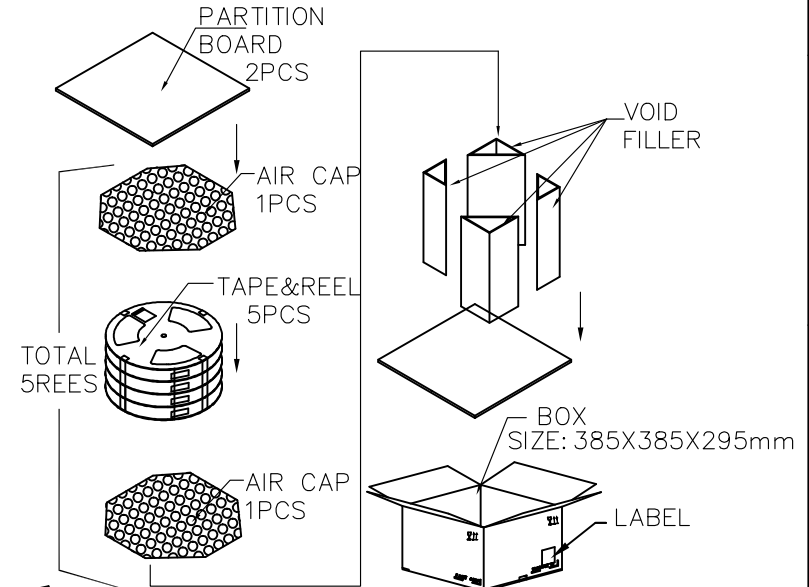
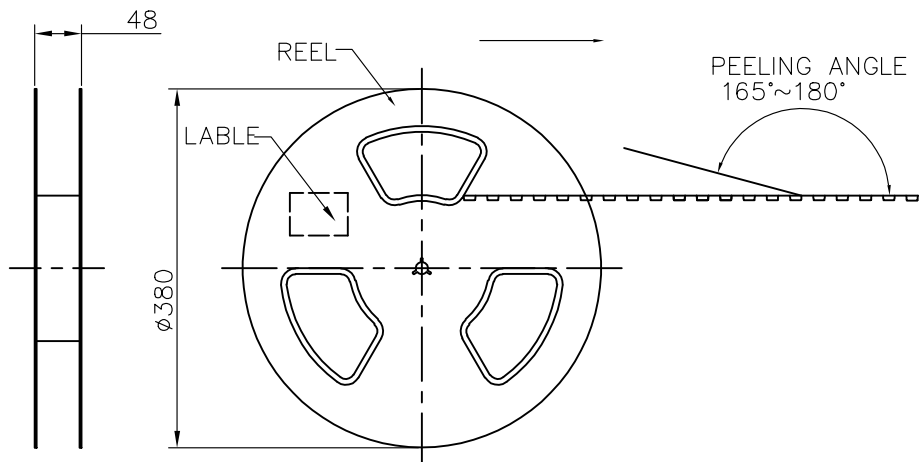
TITLE: NGFF 3.2H Key-B(GEN4) CONN	P/N: 562134-001H011R
SHEET: 2/3	SCALE: N/A UNIT: mm

HF
Halogen Free



FEEDING DIRECTION

REV.	ECN NO.	LOCATION	DESCRIPTION	DATE	DESIGN
A			INITIAL RELEASE	03/10'22	YX
B		(B)	UPDATE DRAWING	04/25'22	YX
C			变更新料号	09/01'22	YX



1400	5	7000	8.7	3.43Kg
PCS/TAPE	REELS/BOX	PCS/BOX	GROSS WEIGHT	NET WEIGHT

DIM	TOL	DIM	TOL
.x	±0.30	.x	±2'
.x	±0.20	.x	±1'
.xx	±0.15		

DEREN
SHENZHEN DEREN ELECTRONIC CO., LTD

CUSTOMER DRAWING DATE TITLE: **NOFF 3.2H Key-B(GEN4) CONN**

DESIGN: YX 09/01'22 P/N: **562134-001H011R**

SC2006657 CHECK: Mike Chen 09/01'22 SHEET: 3/3

REV. C APPROVAL: Bill.Lin 09/01'22 SCALE: N/A UNIT: mm