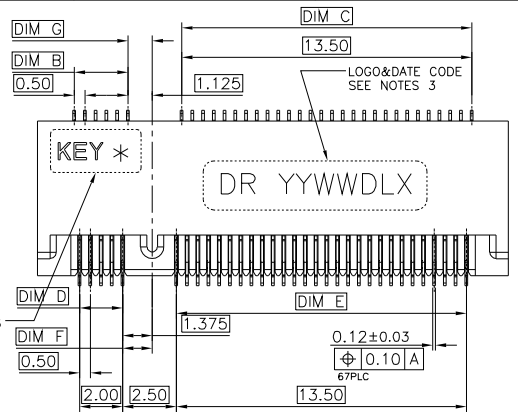
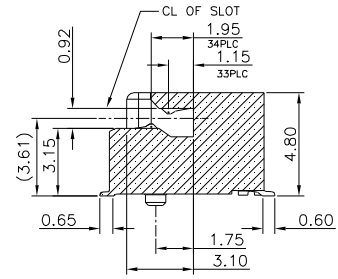


HF

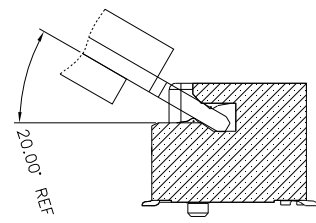
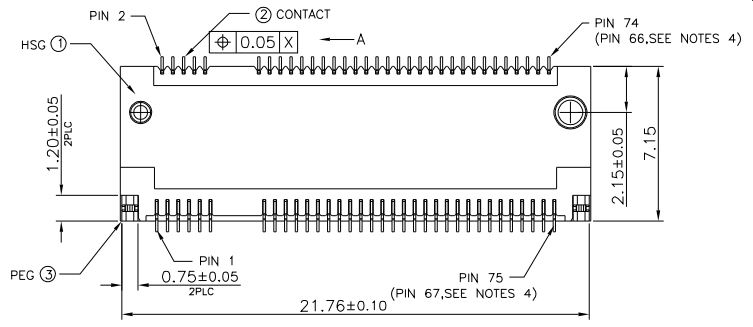
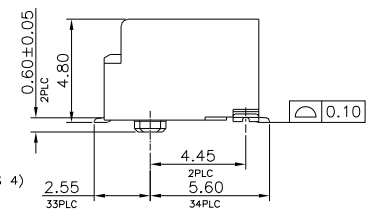
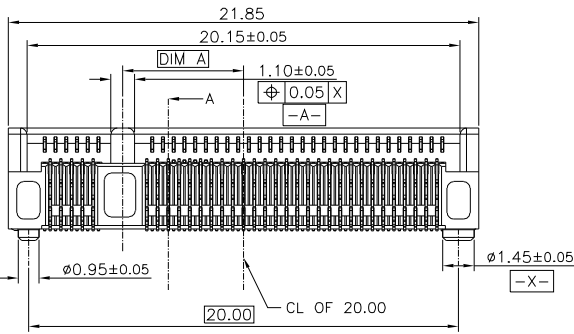
Halogen Free



KEY LIST SEE NOTES 6



SECTION: A-A
SCALE: 1:1



MATING ANGLE ILLUSTRATION

REV.	ECN NO.	LOCATION	DESCRIPTION	DATE	DESIGN
A			INITIAL RELEASE	11/24'21	YX

- NOTES:
- MATERIAL:
 - HOUSING:HIGH TEMPERATURE THERMOPLASTIC,UL94V-0,COLOR:BLACK
 - CONTACT:COPPER ALLOY.
 - SOLDER PEG:STAINLESS STEEL.
 - FINISH:
 - CONTACT: UNDERPLATING NICKEL 50u" MIN OVERALL, GF PLATING ON SOLDER AREA. CONTACT AREA: SEE TABLE,
 - SOLDER PEG: MATTE TIN 80u" MIN. AND NICKEL 50u" MIN UNDER PLATED.
 - LOGO &DATE CODE: LOGO:DR OR DEREN, DATE CODE: YYWDLX
 YY: YEAR (09: 2009)
 WW: WEEK (25: THE 25TH WEEK)
 D: DAY (1~7: SUNDAY~SATURDAY)
 L: LINE NUMBER OF ASSEMBLY
 X: MANUFACTURE CODE
 - CONNECTOR ACTUAL PIN QUANTITY IS 67, AS THE KEY TAKING OUT 8 PINS.
 - RECOMENDE STENCIL THICKNESS:0.12MM MIN
 - PART NUMBER DESCRIPTION:
 5621D3-001 H X X X X X

- (Note:SOME P/N NO CUSTOMER CODE)
 X: PACKING CODE:
 R: EMBOSS WIDTH 32mm, SLOT FORWARD
 1: EMBOSS WIDTH 32mm, SLOT BACKWARD
 2: EMBOSS WIDTH 44mm, SLOT BACKWARD
 3: EMBOSS WIDTH 44mm, SLOT FORWARD

Logo:
 0:No Logo
 1:DR Logo

Color:
 1:Black
 2:White

- KEY TYPE:
 0: KEY A 6: KEY G
 1: KEY B 7: KEY H
 4: KEY C 8: KEY J
 3: KEY D 9: KEY K
 2: KEY E A: KEY L
 5: KEY F B: KEY M

PLATING CODE:1: GF 2: Au5u"
 3: Au10u" 4: 15u"
 5: Au30u"

HALOGEN CODE:
 H:HALOGEN FREE

KEY M	-6.125	14.0	2.0	14.0	1.5	1.125	1.375
KEY L	-5.125	13.0	3.0	13.0	2.5	1.125	1.375
KEY K	-4.125	12.0	4.0	12.0	3.5	1.125	1.375
KEY J	-3.125	11.0	5.0	11.0	4.5	1.125	1.375
KEY H	-2.125	10.0	6.0	10.0	5.5	1.125	1.375
KEY G	-1.125	9.0	7.0	9.0	6.5	1.125	1.375
KEY F	1.625	6.5	9.5	6.0	9.5	1.375	1.125
KEY E	2.625	5.5	10.5	5.0	10.5	1.375	1.125
KEY D	3.625	4.5	11.5	4.0	11.5	1.375	1.125
KEY C	4.625	3.5	12.5	3.0	12.5	1.375	1.125
KEY B	5.625	2.5	13.5	2.0	13.5	1.375	1.125
KEY A	6.625	1.5	14.5	1.0	14.5	1.375	1.125
KEY NAME	DIM A	DIM B	DIM C	DIM D	DIM E	DIM F	DIM G

DIM	TOL	DIM	TOL
.x	±0.35	.x	±2'
.x	±0.30	.x	±1'
.xx	±0.25		



DEREN
 SHENZHEN DEREN ELECTRONIC CO., LTD

DRAW NO. SC2006728	DESIGN: YX	DATE 11/24'21	TITLE: NGFF 4.80H KEY_B ASSEMBLY DR Logo_C DWG
REV. A	CHECK:	APPROVAL: Bill Lin	P/N: 5621D3-001HXXXXX
		11/24'21	SHEET: 1/4
			SCALE: N/A UNIT: mm

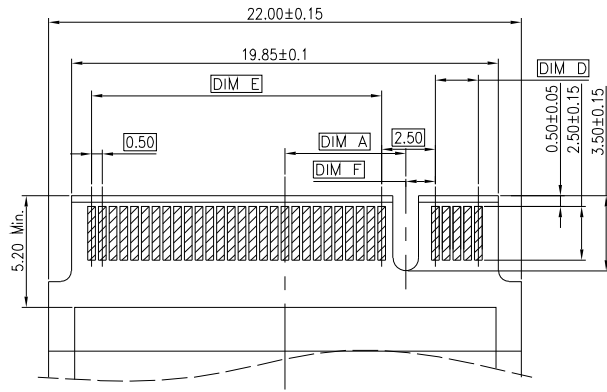


Halogen Free

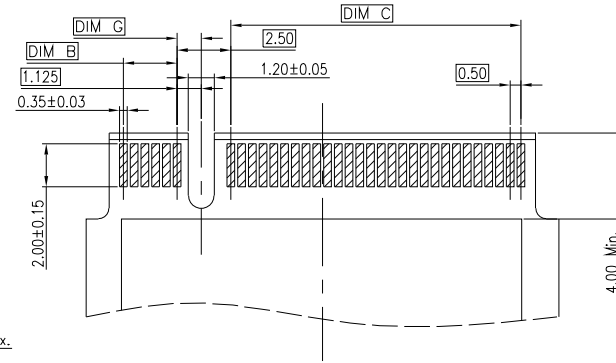
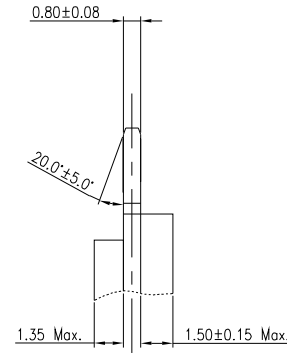


PLUG PCB

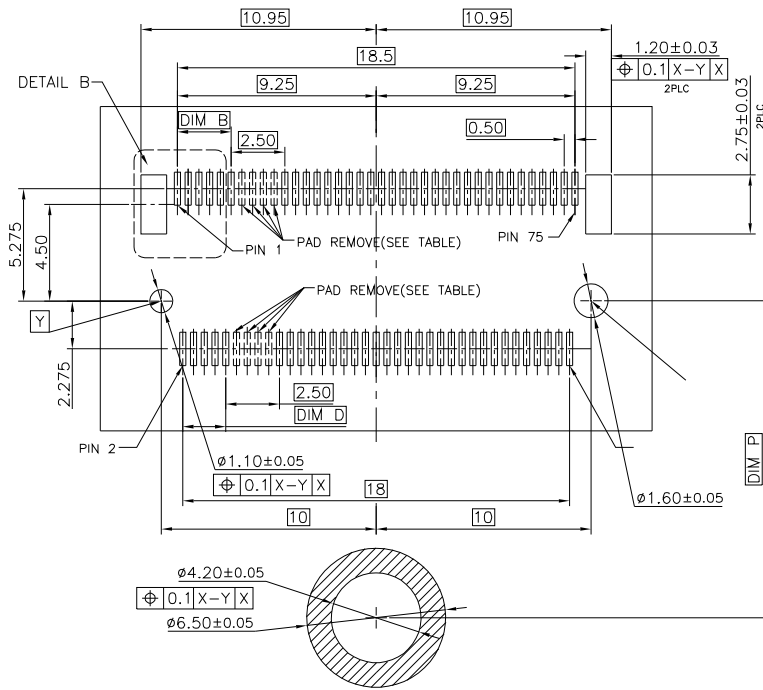
REV.	ECN NO.	LOCATION	DESCRIPTION	DATE	DESIGN
A			INITIAL RELEASE	11/24'21	YX



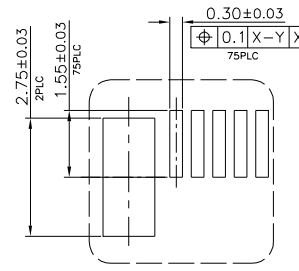
BOTTOM SIDE



TOP SIDE



RECOMMEDNED NGFF MOUNTING TYP PCB_LAYOUT



DETAIL B SCALE 2:1

22110	108.25
2280	78.25
2260	58.25
2242	40.25
2230	28.25
3042	40.25
3030	28.25

KEY ID	PAD REMOVED	DIM A	DIM B	DIM C	DIM D	DIM E	DIM F	DIM G
M	PIN 59-66	-6.125	14.0	2.0	14.0	1.5	1.125	1.375
L	PIN 55-62	-5.125	13.0	3.0	13.0	2.5	1.125	1.375
K	PIN 51-58	-4.125	12.0	4.0	12.0	3.5	1.125	1.375
J	PIN 47-54	-3.125	11.0	5.0	11.0	4.5	1.125	1.375
H	PIN 43-50	-2.125	10.0	6.0	10.0	5.5	1.125	1.375
G	PIN 39-46	-1.125	9.0	7.0	9.0	6.5	1.125	1.375
F	PIN 28-35	1.625	6.5	9.5	6.0	9.5	1.375	1.125
E	PIN 24-31	2.625	5.5	10.5	5.0	10.5	1.375	1.125
D	PIN 20-27	3.625	4.5	11.5	4.0	11.5	1.375	1.125
C	PIN 16-23	4.625	3.5	12.5	3.0	12.5	1.375	1.125
B	PIN 12-19	5.625	2.5	13.5	2.0	13.5	1.375	1.125
A	PIN 8-15	6.625	1.5	14.5	1.0	14.5	1.375	1.125

DIM	TOL	DIM	TOL
.x	±0.30	.x	±2'
.x	±0.25	.x	±1'
.xx	±0.15		



DEREN
SHENZHEN DEREN ELECTRONIC CO., LTD

DRAW NO.
SC2006728

DESIGN: YX 11/24'21
CHECK:

REV. A

APPROVAL: Bill Lin 11/24'21

TITLE: NGFF 4.80H KEY_B ASSEMBLY DR Logo_C DWG

P/N: 562103-001HXXXX

SHEET: 2/4

SCALE: N/A UNIT: mm

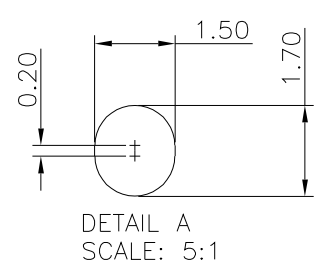
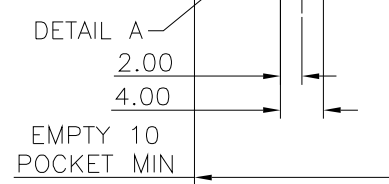
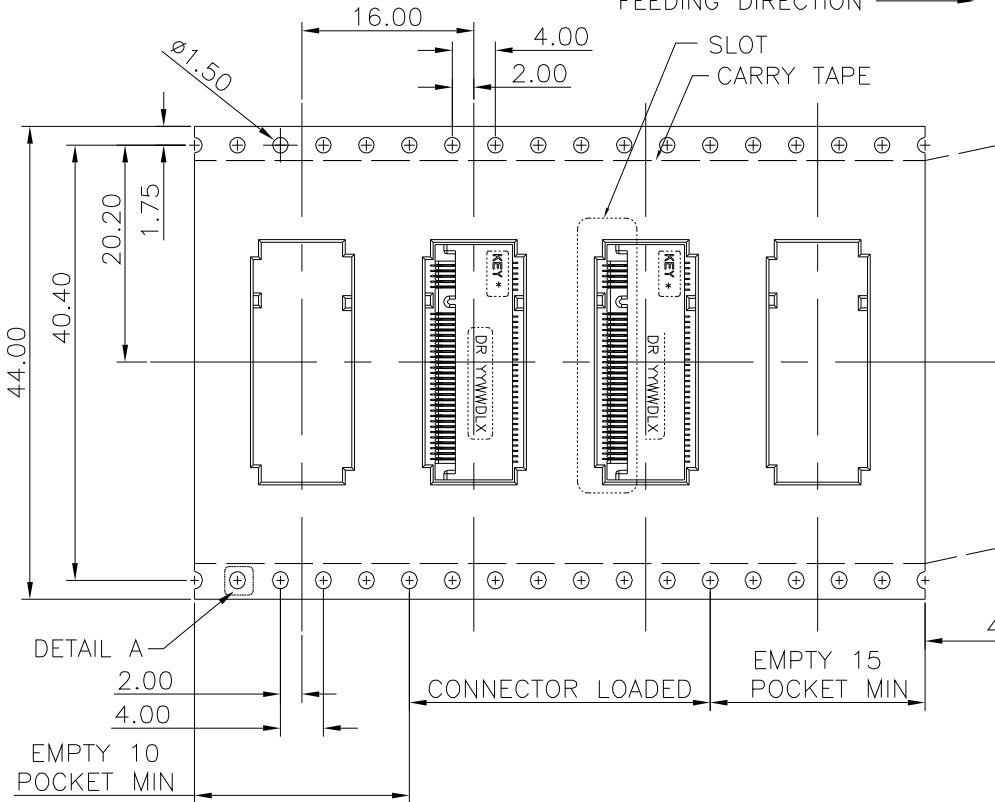
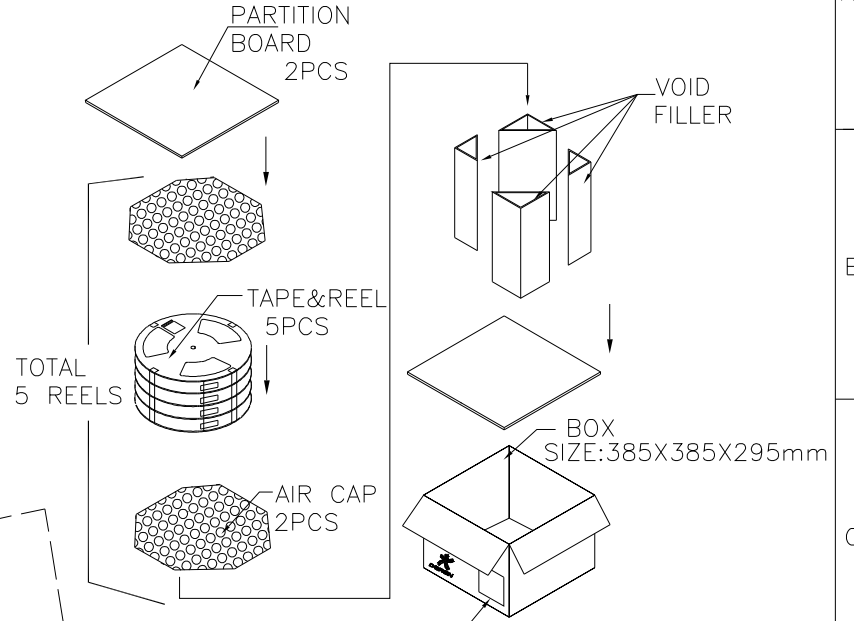
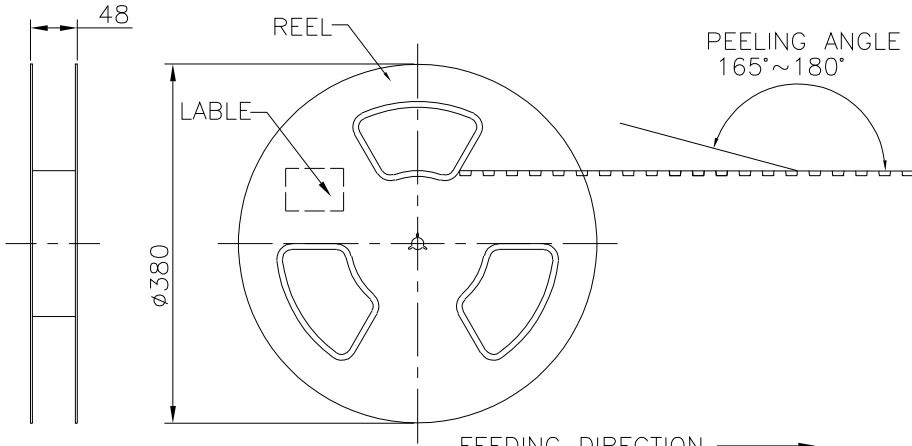
HF

Halogen Free



EMBOSS WIDTH 44mm, SLOT BACKWARD, ONLY FOR

REV.	ECN NO.	LOCATION	DESCRIPTION	DATE	DESIGN
A			INITIAL RELEASE	11/24'21	YX



900	5	4500	X.XXXKg	X.XXXKg
PCS/REEL	REELS/BOX	PCS/BOX	GROSS WEIGHT	NET WEIGHT

DIM	TOL	DIM	TOL
.x	±0.30	.x	±2'
.x	±0.20	.x	±1'
.xx	±0.15		



DEREN
SHENZHEN DEREN ELECTRONIC CO., LTD

CUSTOMER DRAWING	DATE	TITLE: NGFF 4.80H KEY_B ASSEMBLY DR Logo_C DWG
DESIGN: YX	11/24'21	P/N: 5621D3-001HXXXX
CHECK:		SHEET: 3/4
REV: A	APPROVAL: Bill Lin	SCALE: N/A UNIT: mm

1 2 3 4 5 6 7 8

A B C D E

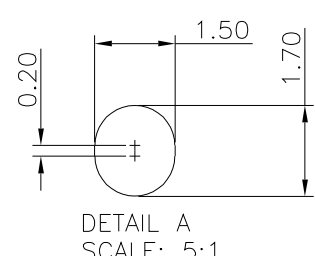
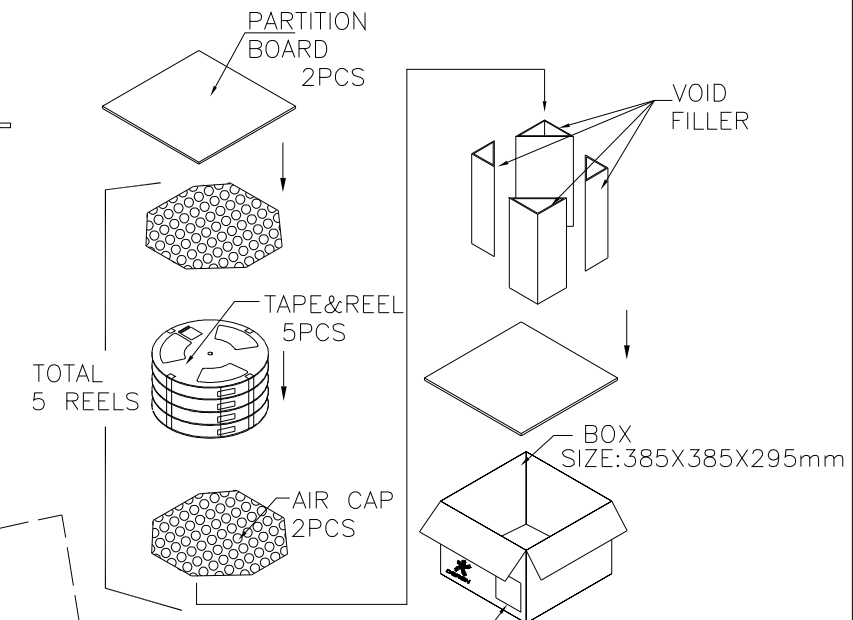
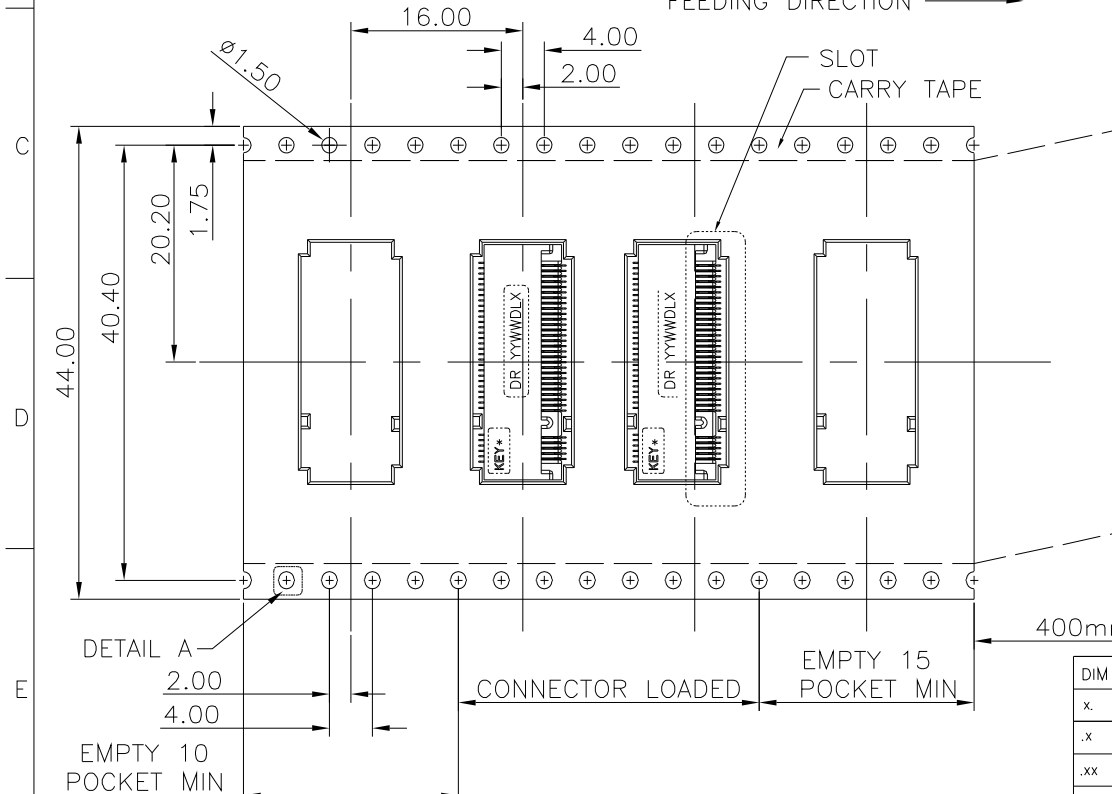
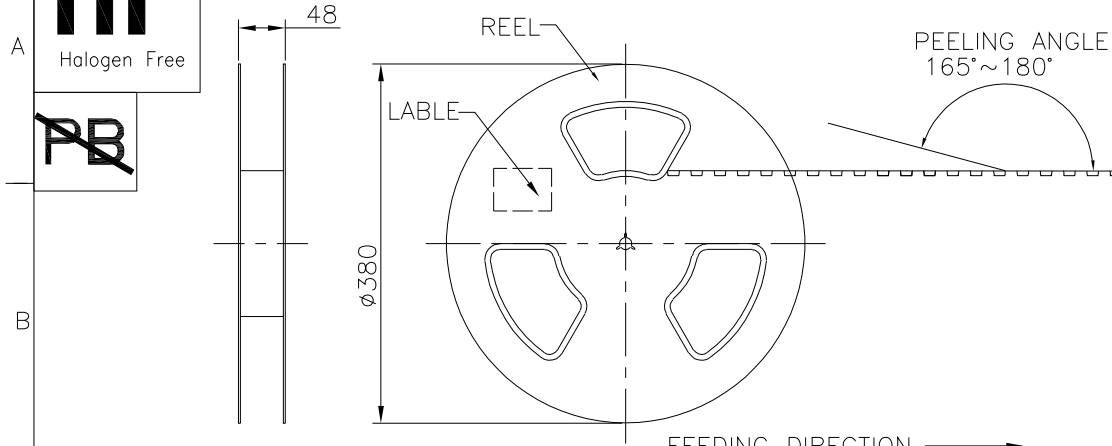
HF

Halogen Free



EMBOSS WIDTH 44mm, SLOT FORWARD, ONLY FOR

REV.	ECN NO.	LOCATION	DESCRIPTION	DATE	DESIGN
A			INITIAL RELEASE	11/24'21	YX



900	5	4500	X.XXXKg	X.XXXKg
PCS/REEL	REELS/BOX	PCS/BOX	GROSS WEIGHT	NET WEIGHT



DEREN
SHENZHEN DEREN ELECTRONIC CO., LTD

DIM	TOL	DIM	TOL
.x	±0.30	.x	±2'
.x	±0.20	.x	±1'
.xx	±0.15		

DRAW NO. SC2006728	DESIGN: YX	DATE 11/24'21	TITLE: NGFF 4.80H KEY_B ASSEMBLY DR Logo_C DWG
REV. A	CHECK:	APPROVAL: Bill Lin	P/N: 562103-001HXXXX
		11/24'21	SHEET: 4/4
			SCALE: N/A UNIT: mm