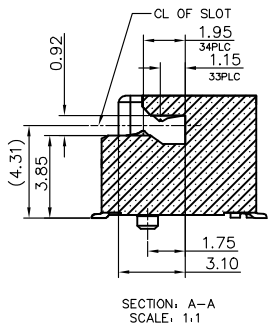
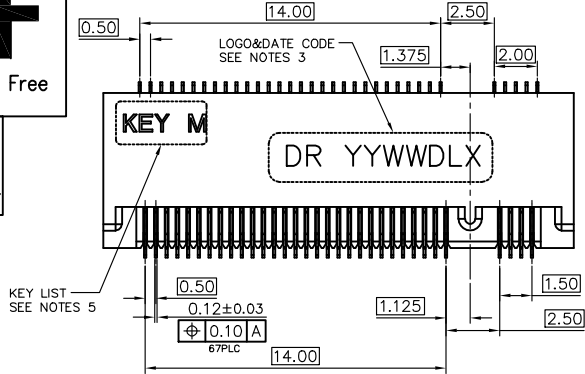


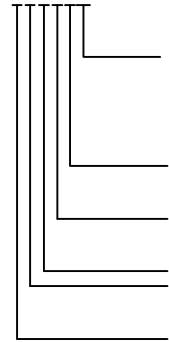
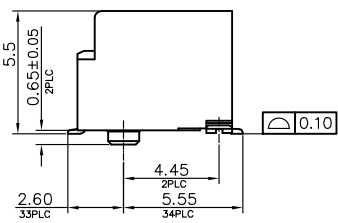
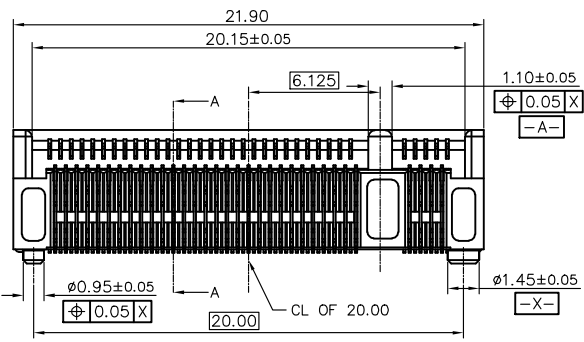
REV.	ECN NO.	LOCATION	DESCRIPTION	DATE	DESIGN
A			INITIAL RELEASE	03/10'22	YX

HF
Halogen Free



NOTES:

- MATERIAL:**
 - HOUSING: HIGH TEMPERATURE THERMOPLASTIC, UL94V-0, COLOR: BLACK
 - CONTACT: COPPER ALLOY.
 - SOLDER PEG: STAINLESS STEEL.
- FINISH:**
 - CONTACT: UNDERPLATING NICKEL 50u" MIN OVERALL, GF PLATING ON SOLDER AREA. CONTACT AREA: SEE TABLE,
 - SOLDER PEG: MATTE TIN 80u" MIN. AND NICKEL 50u" MIN UNDER PLATED.
- LOGO & DATE CODE:** LOGO: DR OR DEREN, DATE CODE: YYWWDLX
YY: YEAR (09: 2009)
WW: WEEK (25: THE 25TH WEEK)
D: DAY (1~7: SUNDAY~SATURDAY)
L: LINE NUMBER OF ASSEMBLY
X: MANUFACTURE CODE
- RECOMMENDED STENCIL THICKNESS: 0.12MM**
- CONNECTOR ACTUAL PIN QUANTITY IS 67, AS THE KEY TAKING OUT 8 PINS. 562129-00XH011R**



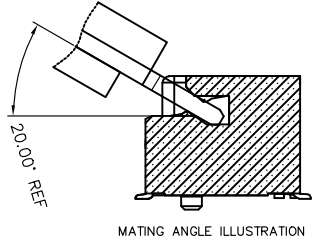
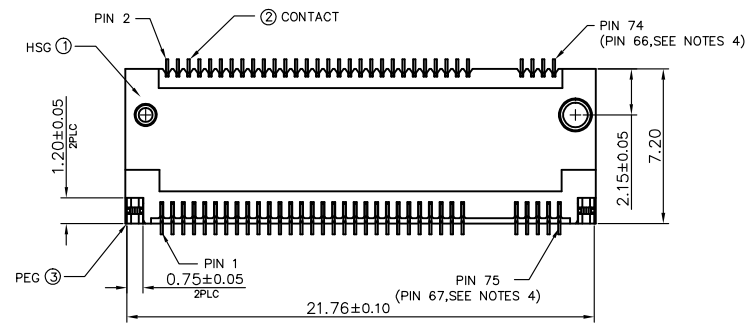
PACKAGE CODE:
R: EMBOSS WIDTHE 44mm, SLOT BACKWARD
1: EMBOSS WIDTHE 44mm, SLOT FORWARD
2: EMBOSS WIDTHE 32mm, SLOT FORWARD
3: EMBOSS WIDTHE 32mm, SLOT BACKWAR

Logo:
0: No Logo
1: DR Logo

Color:
1: Black
2: White
RESERVED

HALOGEN CODE:
H: HALOGEN FREE

PLATING CODE:
1: GF 2: Au5u"
3: Au10u" 4: 15u" 5: Au30u"



DIM	TOL	DIM	TOL
.x	±0.30	.x	±2'
.x	±0.25	.x	±1'
.xx	±0.15		



DEREN
SHENZHEN DEREN ELECTRONIC CO., LTD

CUSTOMER DRAWING DATE TITLE: NGFF 5.50H KEY-M(GEN4)ASSY DR Logo_C DWG

DESIGN: YX 03/10'22 P/N: 562129-00XH011R

CHECK: Mike Chen 03/10'22 SHEET: 1/3

REV. A APPROVAL: Bill Lin 03/10'22 SCALE: N/A UNIT: mm

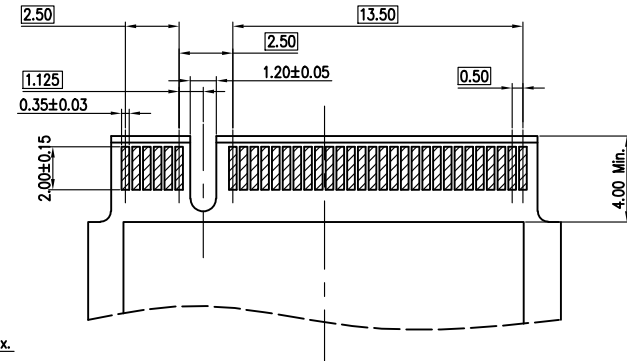
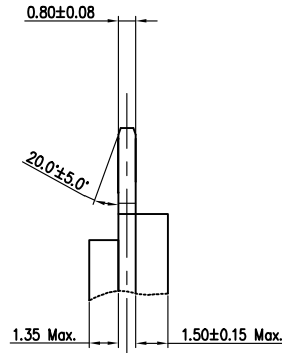
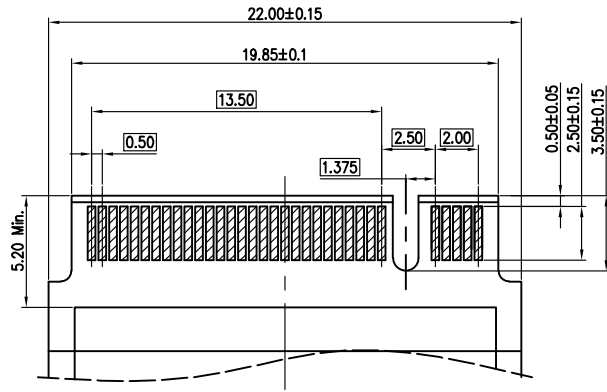
HF

Halogen Free



PLUG PCB

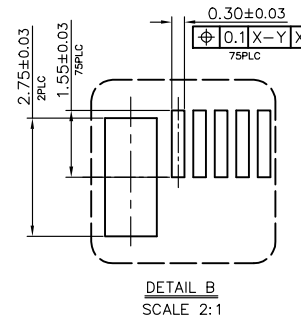
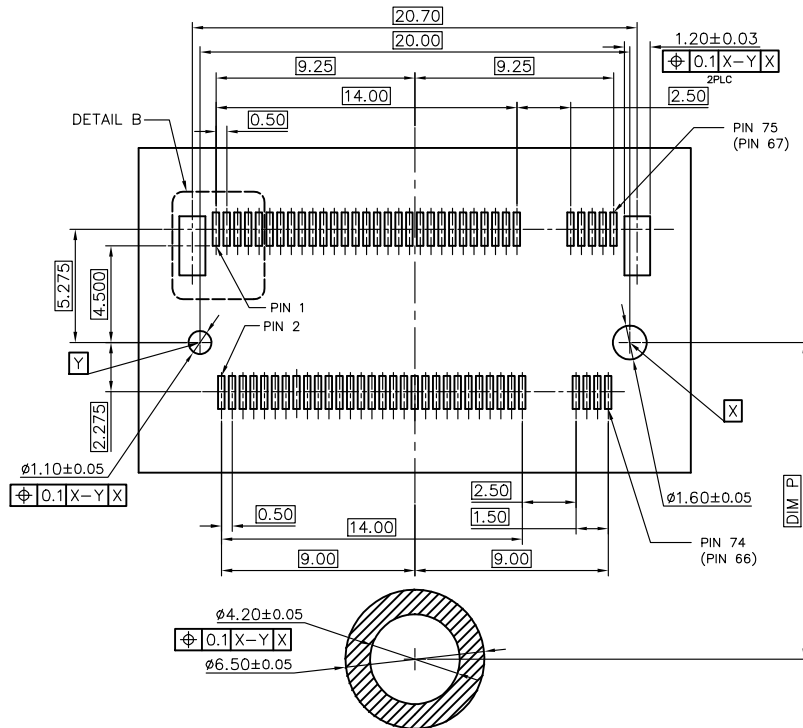
REV.	ECN NO.	LOCATION	DESCRIPTION	DATE	DESIGN
A			INITIAL RELEASE	03/10'22	YX



BOTTOM SIDE

TOP SIDE

RECOMMENDED PCB LAYOUT



22110	108.25
2280	78.25
2260	58.25
2242	40.25
2230	28.25
3042	40.25
3030	28.25
MODULE TYPE	DIM P

DIM	TOL	DIM	TOL
.x	±0.30	x	±2°
.x	±0.25	.x	±1°
.xx	±0.15		



DEREN

SHENZHEN DEREN ELECTRONIC CO., LTD

DRAW NO.
SC2207948

REV. A

CUSTOMER DRAWING	DATE
DESIGN: YX	03/10'22
CHECK: Mike Chen	03/10'22
APPROVAL: Bill Lin	03/10'22

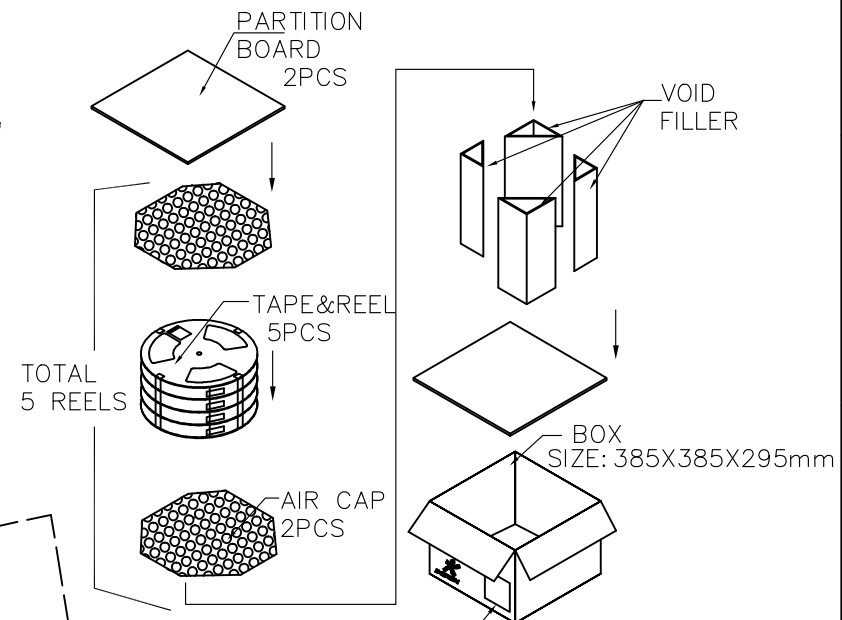
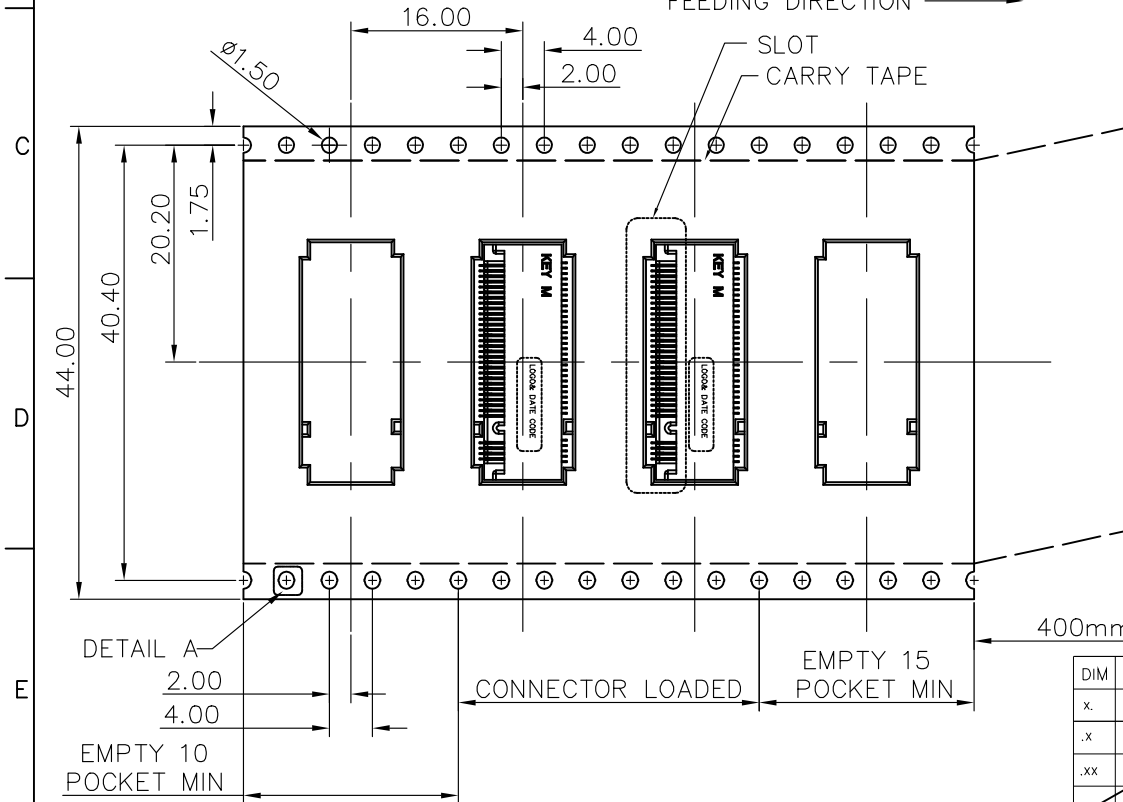
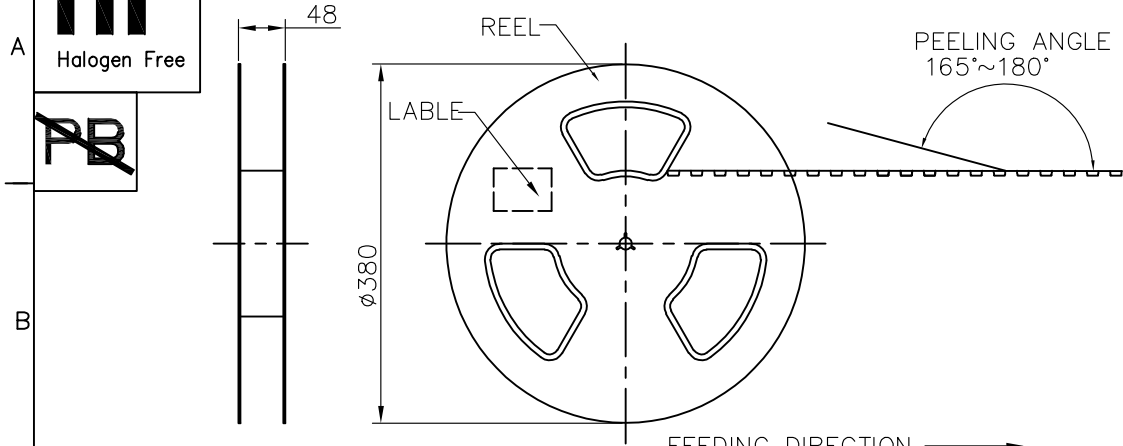
TITLE:	NGFF 5.50H KEY-M(GEN4)ASSY DR Logo_C DWG
P/N:	562129-00XH011R
SHEET:	2/3
SCALE:	N/A
UNIT:	mm

HF
Halogen Free



EMBOSS WIDTH 44mm, SLOT BACKWARD

REV.	ECN NO.	LOCATION	DESCRIPTION	DATE	DESIGN
A			INITIAL RELEASE	03/10'22	YX



900	5	4500	X.XXKg	X.XXKg
PCS/REEL	REELS/BOX	PCS/BOX	GROSS WEIGHT	NET WEIGHT



DEREN
SHENZHEN DEREN ELECTRONIC CO., LTD

DIM	TOL	DIM	TOL
x.	±0.30	x.	±2'
.x	±0.20	.x	±1'
.xx	±0.15		

DRAW NO. SC2207948	DESIGN: YX	DATE 03/10'22	TITLE: NGFF 5.50H KEY-M(GEN4)ASSY DR Logo_C DWG
REV. A	CHECK: Mike Chen	03/10'22	P/N: 562129-00XH011R
APPROVAL: Bill Lin	03/10'22	SHEET: 3/3	SCALE: N/A
		UNIT: mm	