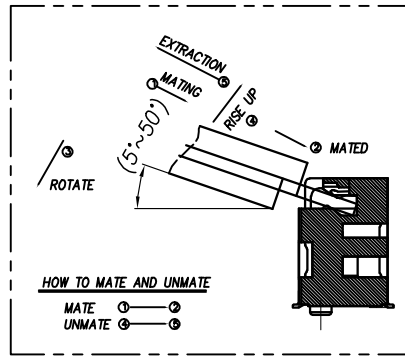
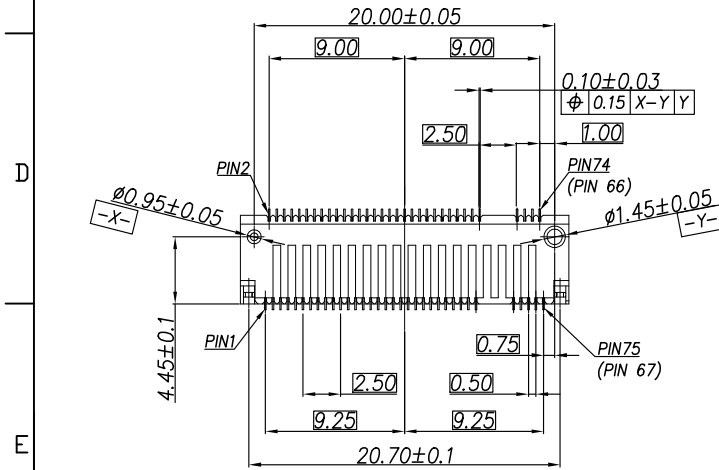
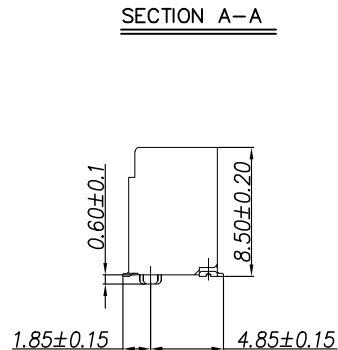
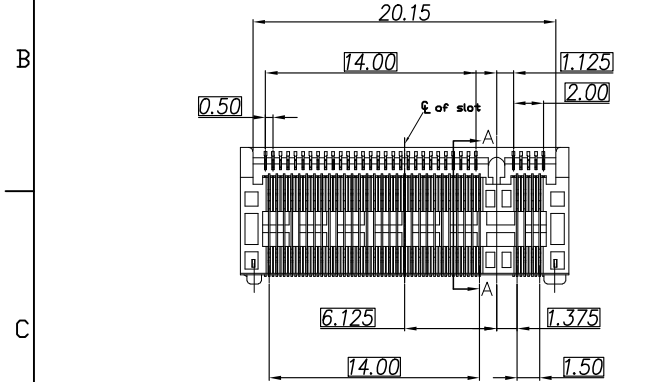
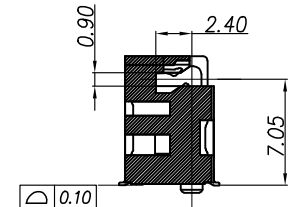
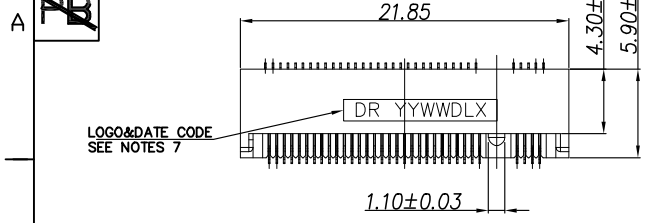


HF
Halogen Free

REV.	ECN NO.	LOCATION	DESCRIPTION	DATE	DESIGN
A			INITIAL RELEASE	2022.04.15	YX



NOTES:
MATERIAL MUST MEET DEREN CONTROLLED SUBSTANCES SPEC.PER WI-PB-S-010.
PRODUCT MUST MEET CONTROLLED SUBSTANCES SPEC. ROHS 2.0

1. MATERIAL:
1.1 HOUSING: LCP, UL94V-0; COLOR: BLACK
1.2 CONTACTS: PHOSPHOR BRONZE
1.3 FLOATING PEG: STAINLESS STEEL

2. FINISH:
2.1 CONTACT:
GOLD(SEE TABLE) PLATED ON CONTACT AREA AND GOLD FLASH*
SOLDER AREA. 50u" MIN. NICKEL UNDERPLATING.
2.2 FLOATING PEG:
80u" MIN. MATTE-TIN. 50u"MIN. NICKEL UNDERPLATING.

3. REFLOW SOLDER CAPABLE TO 260°C 10SEC.

4. ELECTRICAL CHARACTERISTICS:
4.1 CONTACT CURRENT RATING: 0.5 AMPERE MAX, PER PIN,
4.2 VOLTAGE RATING: 50V AC.
4.3 INSULATION RESISTANCE: 500M OHM MIN.(INITIAL),
100M OHM MIN.(FINAL). AT 500V DC,
4.4 DIELECTRIC WITHSTANDING VOLTAGE: 300V AC RMS AT 60HZ, FOR
1 MINUTE.
4.5 CONTACT RESISTANCE: 55m OHM MAX(INITIAL)
ΔR 20m OHM MAX(FINAL)

5. OPERATION TEMPERATURE: -40 °C TO +80 °C

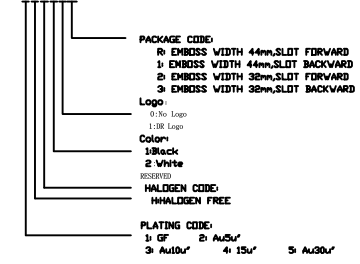
6. MATING FORCE: 2.04Kgf MAX.
EXTRACTION FORCE: 0.1Kgf MIN.
DURABILITY: 60 CYCLES

7. DATE CODE YYWWDLX
YY: YEAR (09: 2009)
WW: WEEK (25: THE 25TH WEEK)
D: DAY (1~7: SUNDAY~SATURDAY)
L: LINE NUMBER OF ASSEMBLY (A: LINE A)
X: MANUFACTURE CODE

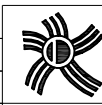
8. RECOMMENDED STENCIL THICKNESS: 0.12MM

9. CONNECTOR ACTUAL PIN QUANTITY IS 67, AS THE KEY TAKING OUT 8 PINS.

562110-00XH0112



DIM	TOL	DIM	TOL
.x	±0.25	.x	±2'
.x	±0.20	.x	±1'
.xx	±0.15		
.xxx	±0.10		

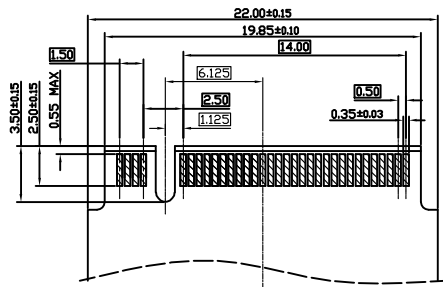


DEREN		SHENZHEN DEREN ELECTRONIC CO., LTD	
CUSTOMER DRAWING	DATE	TITLE: NGFF 8.SH(GEN4)CONN(W/RB) (DR LOGO)Key-M ASSY C-DWG	
DESIGN: YX	2022.04.15	P/N: 562110-00XH0112	
CHECK:		SHEET: 1/3	
REV. A	APPROVAL:	SCALE: 1:1 UNIT: mm	

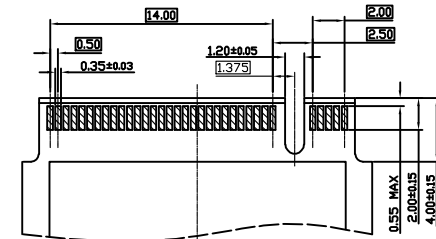
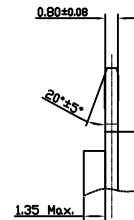
HF
Halogen Free

PLUG PCB

REV.	ECN NO.	LOCATION	DESCRIPTION	DATE	DESIGN
A			INITIAL RELEASE	2022.04.15	YX

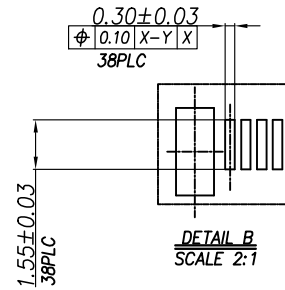
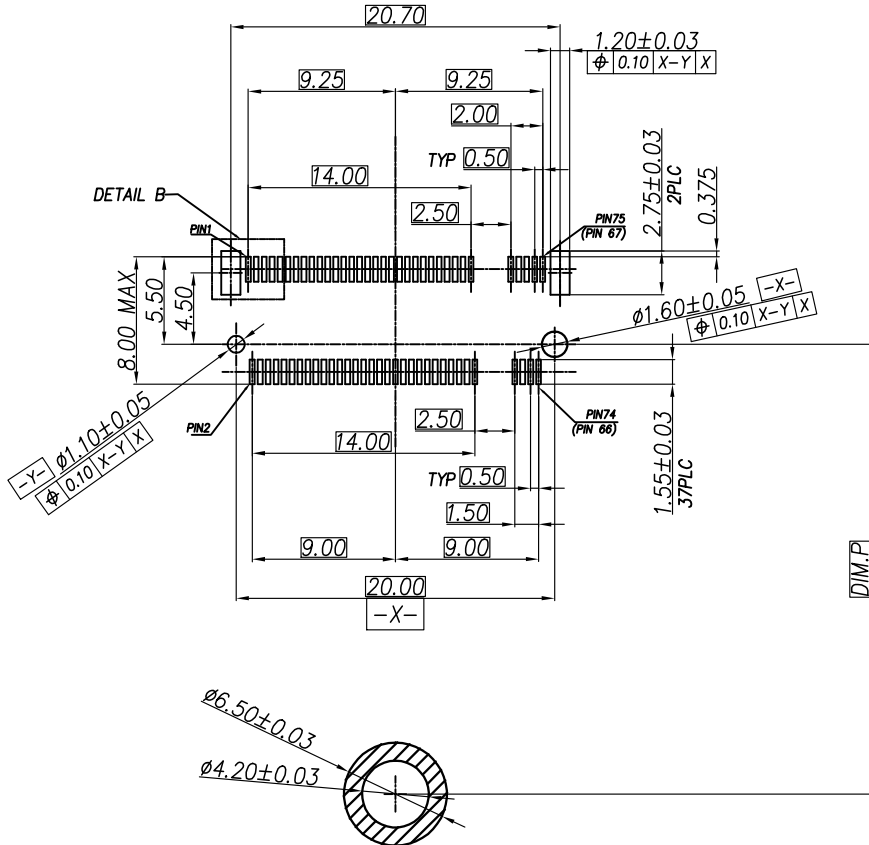


BOTTOM SIDE



TOP SIDE

RECOMMENDED PCB LAYOUT



2210	107.60
2280	77.60
2260	57.60
2242	39.60
2230	27.60
3042	39.60
3030	27.60
MODULE TYPE	DIM.P

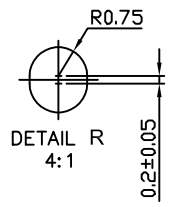
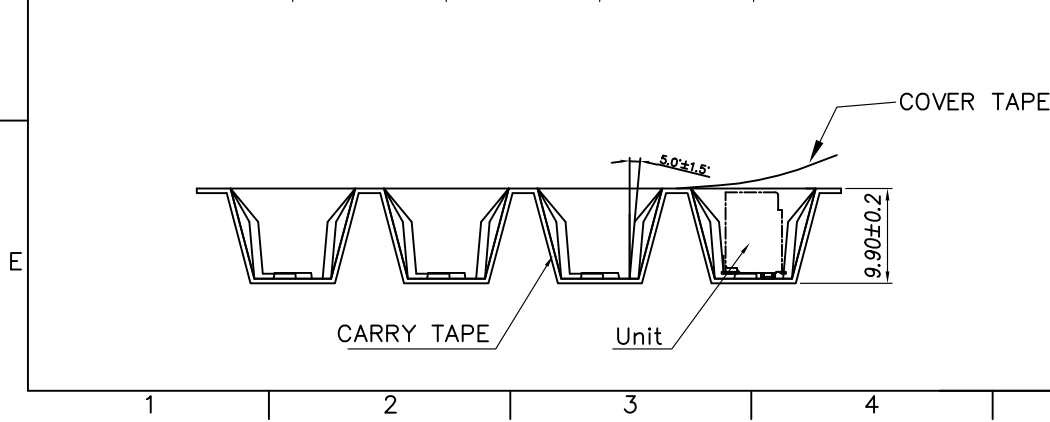
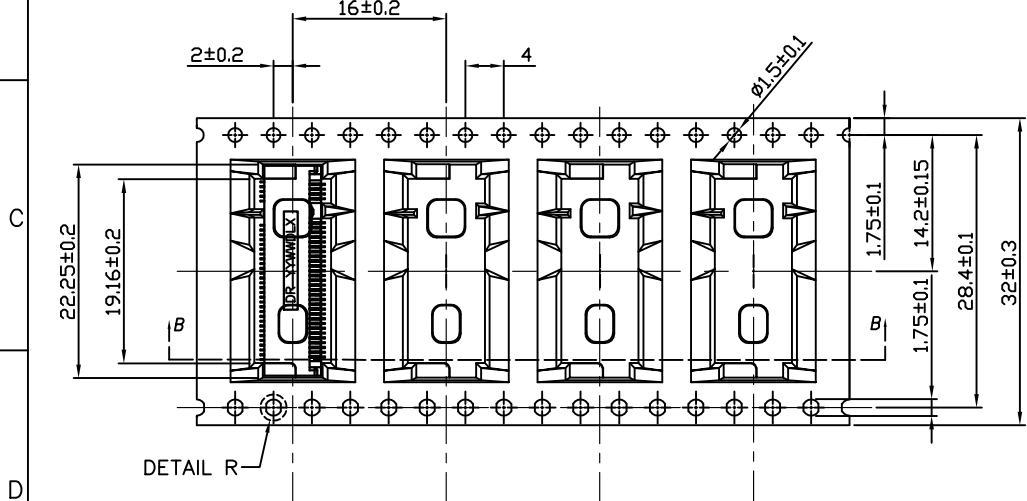
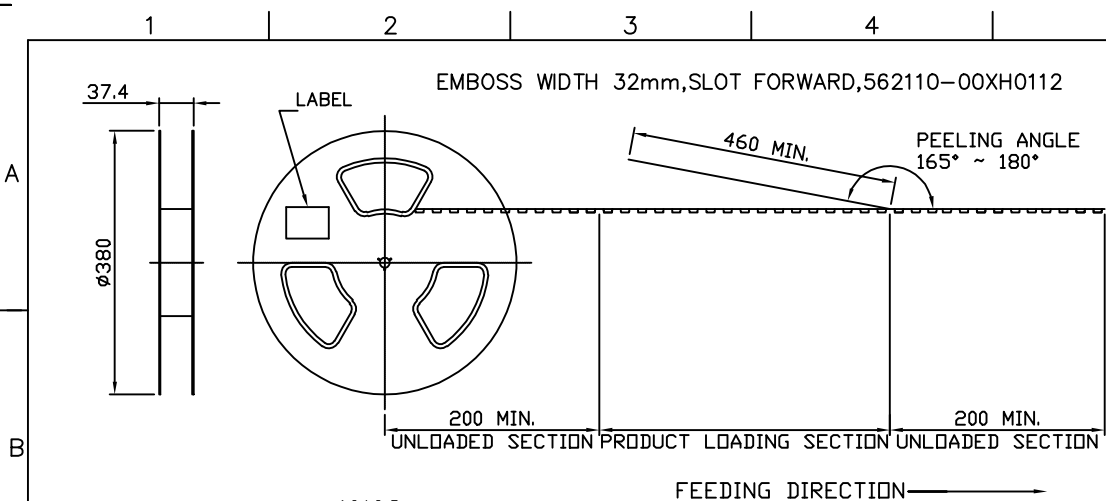
DIM	TOL	DIM	TOL
.x	±0.30	.x	±2'
.xx	±0.25	.x	±1'
.xxx	±0.15		



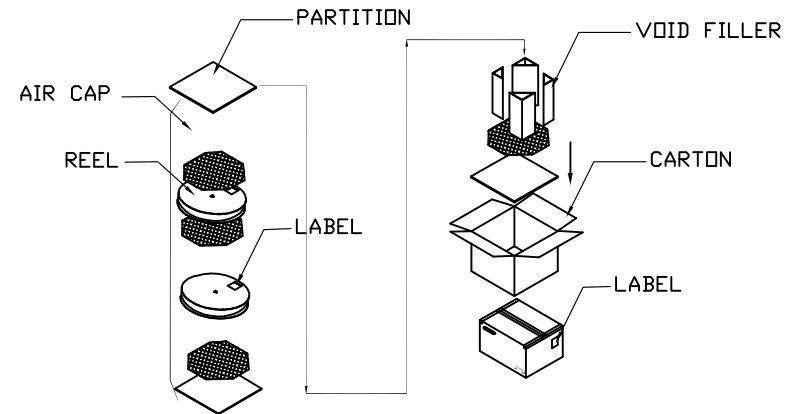
DEREN
SHENZHEN DEREN ELECTRONIC CO., LTD

CUSTOMER DRAWING	DATE	TITLE: NGFF 8.5H(GEN)CONN(W/Rb DR LOGO)Key-M ASSY C-DWG
DESIGN: YX	2022.04.15	P/N: 562110-00XH0112
CHECK:		SHEET: 2/3
REV. A	APPROVAL:	SCALE: 1:1 UNIT: mm

REV.	ECN NO.	LOCATION	DESCRIPTION	DATE	DESIGN
A			INITIAL RELEASE	2022.04.15	YX



- NOTES :
- MATERIAL :
COVER TAPE : ANTISTATIC P.S T=0.05±0.01 ,COLOR: CLEAR
CARRIER TAPE : ANTISTATIC P.S T=0.40±0.10,COLOR: CLEAR
REEL : PS UL94V-0
CARTON: CORRUGATED FIBER
 - DIMENSION :
REEL : SEE DRAWING
SHIPPING BOX: 385X385X295mm
 - QUANTITY : SEE TABLE
 - PEELING RESISTANCE : 10gf~130gf (for 12~56mm)
 - PEELING SPEED : 300mm/MINUTES



---KG	---KG	500	6	3000	562110-00XH0112
GROSS WEIGHT	NET WEIGHT	PCS/ REEL	REEL/ CARTON	PCS/ CARTON	PART NUMBER

		DEREN SHENZHEN DEREN ELECTRONIC CO., LTD		CUSTOMER DRAWING		DATE	TITLE: NGFF 8.5H(GEM)CONN/W/Rib
				DRAW NO. SC1905338		DESIGN: YX	2022.04.15
REV. A		APPROVAL:		CHECK:		SHEET: 3/3	
						SCALE: 1:1 UNIT: mm	

DIM	TOL	DIM	DEG
X		X*	
XX		XX*	
XXX		XXX*	
XXXX		XXXX*	