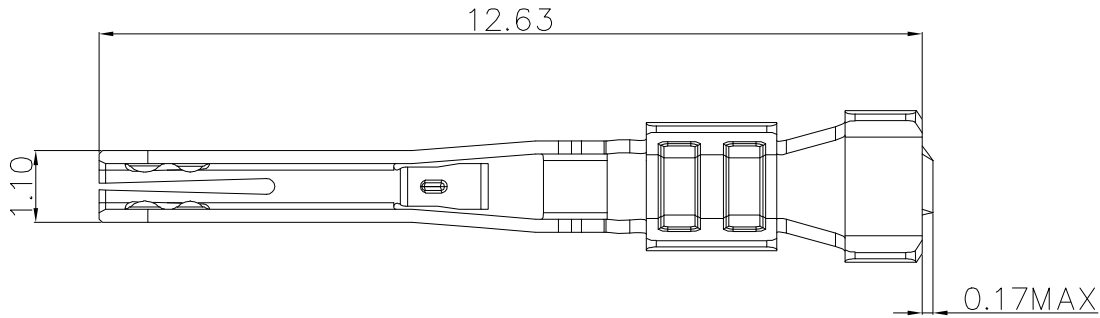
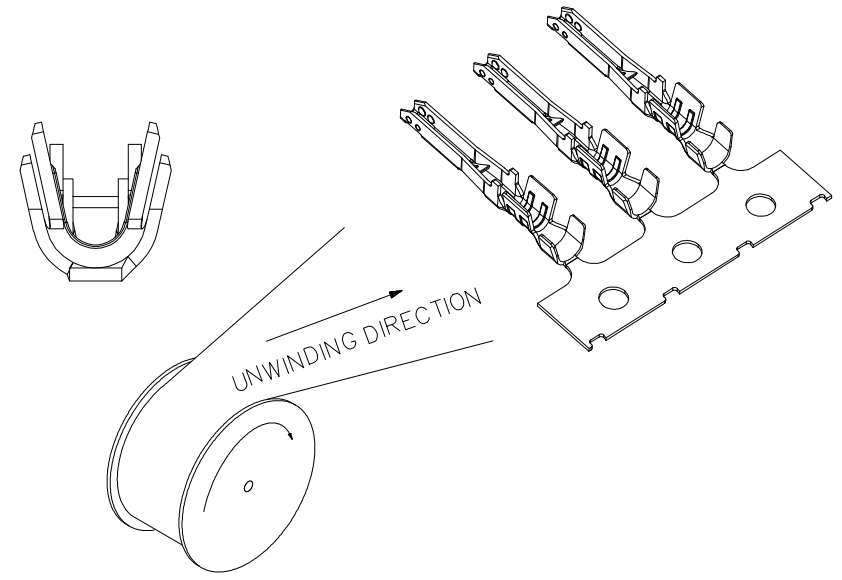
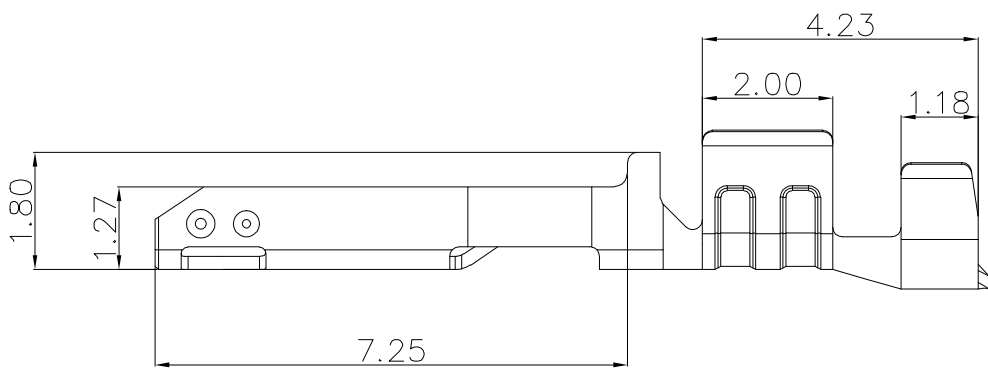


REV.	ECN NO.	LOCATION	DESCRIPTION	DATE	DESIGN
1			INITIAL RELEASE	2018.10.14	Alex_Z
2			UPDATE P/N	2022.09.13	Yy_D



NOTES:
 PRODUCT MEETS CONTROLLED SUBSTANCES SPEC.
 1. MATERIAL:
 HIGH CONDUCTIVITY COPPER ALLOY.
 2. THE COMPONENT COMPLIANT TO ROHS DIRECTIVE
 2011/65/EU AND ELV DIRECTIVE 2000/53/EC



PLATING	
5704BG-004R100*R	BRIGHT TIN 100u"MIN OVER ALL NICKEL 50u"MIN OVER ALL
5704BG-004R200*R	GOLD PLATING 15u"ON CONTACT AREA, BRIGHT TIN 100u"MIN ON CONTACT AREA, UNDER NICKEL PLATING 50u"MIN OVERALL.
5704BG-004R300*R	GOLD PLATING 30u"ON CONTACT AREA, BRIGHT TIN 100u"MIN ON CONTACT AREA, UNDER NICKEL PLATING 50u"MIN OVERALL.

DIM	TOL	DIM	TOL
x.	±0.35	x.	±2'
.xx	±0.25		



DEREN SHENZHEN DEREN ELECTRONIC CO., LTD			
CUSTOMER DRAWING		DATE	TITLE: CRIMP TERMINAL FOR NANO-FIT RECEPTACLE POWER CONNECTOR
DESIGN:	Yy_D	2022.09.13	P/N: SEE TABLE
CHECK:			SHEET: 1/2
APPROVAL:			SCALE: N/A UNIT: mm

A
B
C
D
E

A
B
C
D
E

1 2 3 4 5 6 7 8

1 2 3 4 5 6 7 8

1 2 3 4 5 6 7 8

A

B

C

D

E

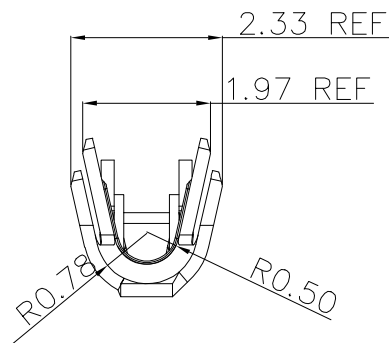
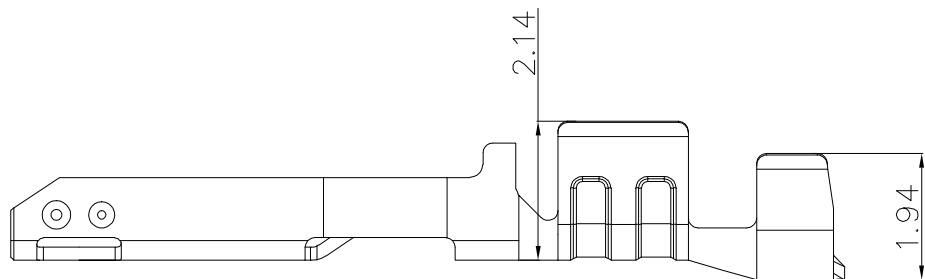
A

B

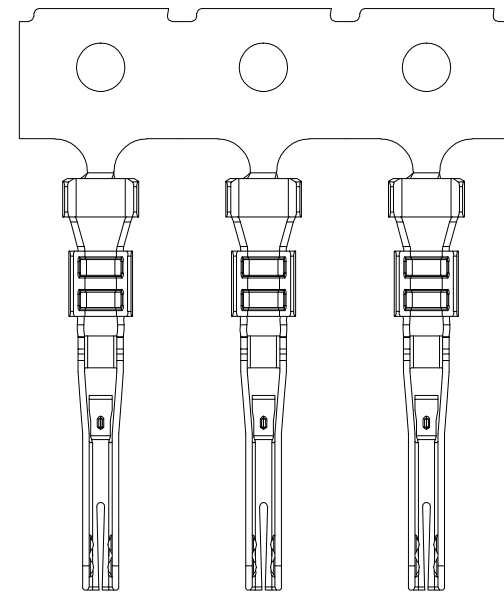
C

D

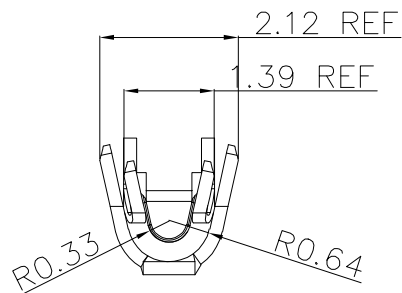
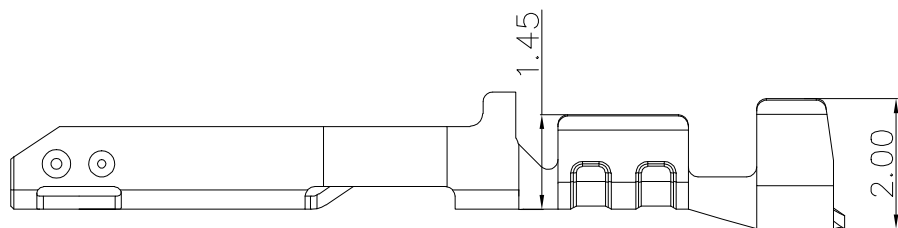
E



5704BG-004R*000R-XL
ONLY FOR WIRE OF AWG 20/22



(SCALE 2:1)



5704BG-004R*001R-XL
ONLY FOR WIRE OF AWG 24/26



DEREN
SHENZHEN DEREN ELECTRONIC CO., LTD

DIM	TOL	DIM	TOL	DRAW NO. ***	CUSTOMER DRAWING		DATE	TITLE: CRIMP TERMINAL FOR NANO-FIT RECEPTACLE POWER CONNECTOR	
x.	±0.35	x.	±2'		DESIGN: Yy_D	2022.09.13	P/N: SEE TABLE		
.x							CHECK:		SHEET: 2/2
xx	±0.25				REV. 2	APPROVAL:		SCALE: N/A	UNIT: mm

1 2 3 4 5 6 7 8