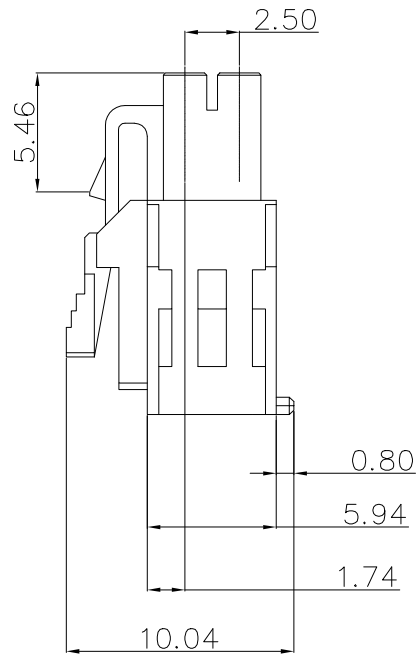
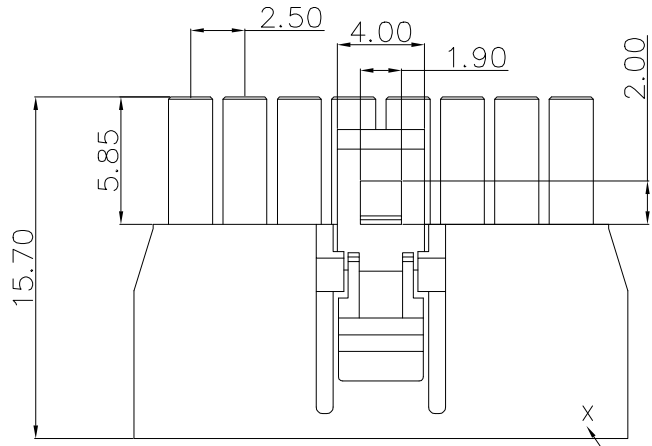


REV.	ECN NO.	LOCATION	DESCRIPTION	DATE	DESIGN
1			INITIAL RELEASE	2018.09.28	Alex_Z
3			UPDATE P/N	2022.09.13	Yy_D

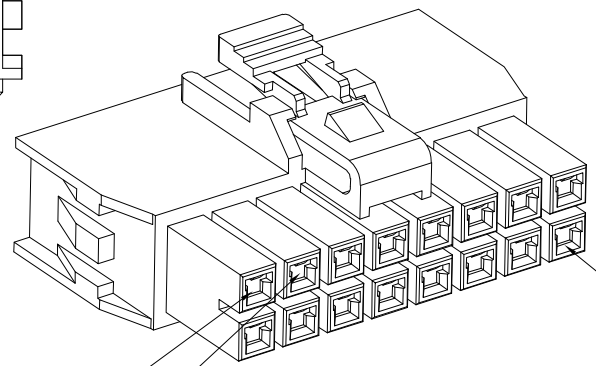
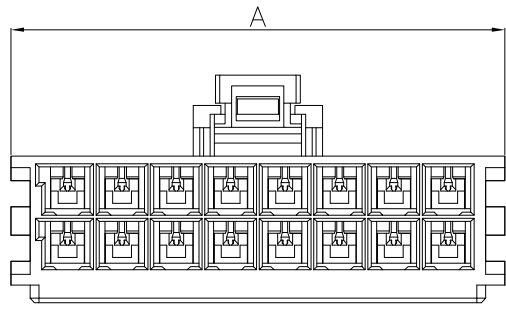


NOTES:
 PRODUCT MEETS CONTROLLED SUBSTANCES SPEC.
 1. MATERIAL:
 1.1 HOUSING: PA4T,94V-0,BLACK.
 2. THE COMPONENT COMPLIANT TO ROHS DIRECTIVE 2011/65/EU AND ELV DIRECTIVE 2000/53/EC

5704BG-003 R 1 * ** B

T: ACQUIESCENT
 PIN NO.:
 04: 4PIN

 24: 24PIN
 COLOR:
 0: BLACK
 1: NATURAL
 R: RoHS
 H: HALOGEN-FREE
 WTB



DATE
LAST CKT

DIM.A	PIN NO.
7.70	4
10.20	6
12.70	8
15.20	10
17.70	12
20.20	14
22.70	16
25.20	18
27.70	20
30.20	22
32.70	24

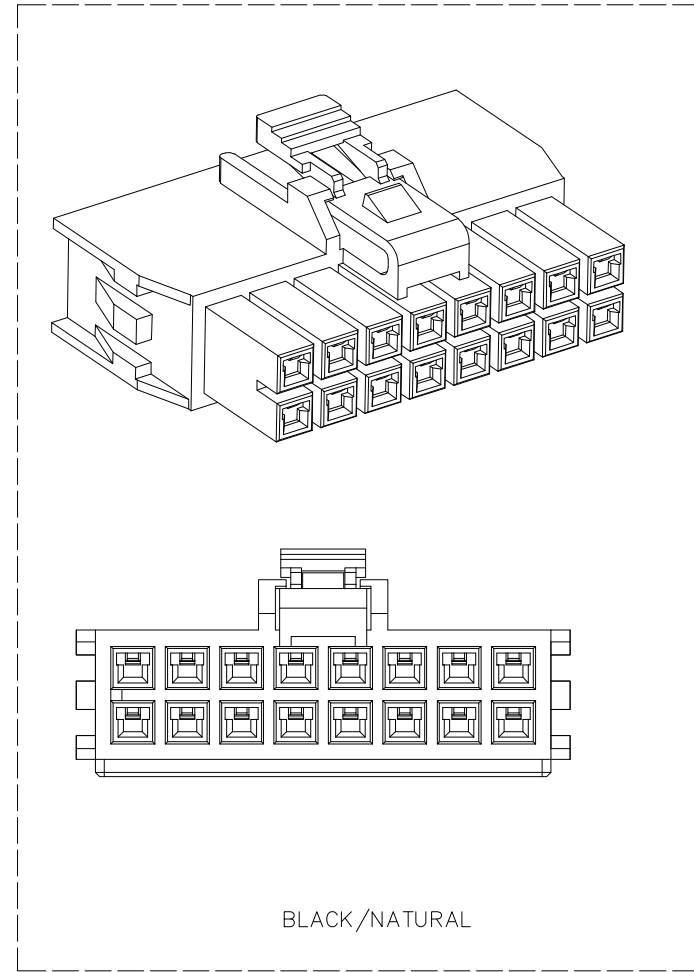
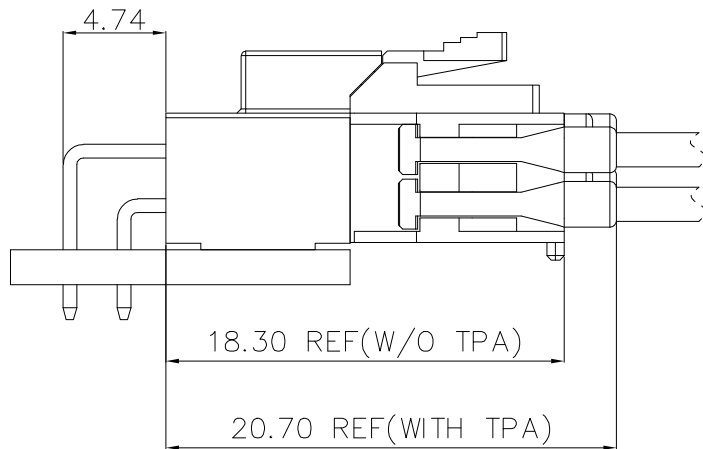
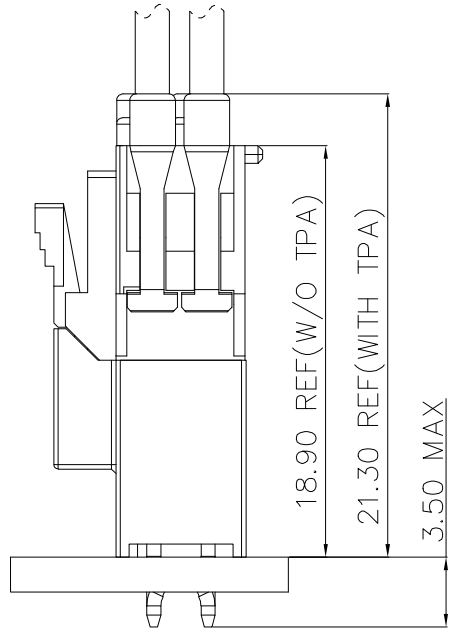
DIM	TOL	DIM	TOL
x.	±0.35	x.	±2'
.x			
.xx	±0.25		


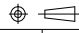


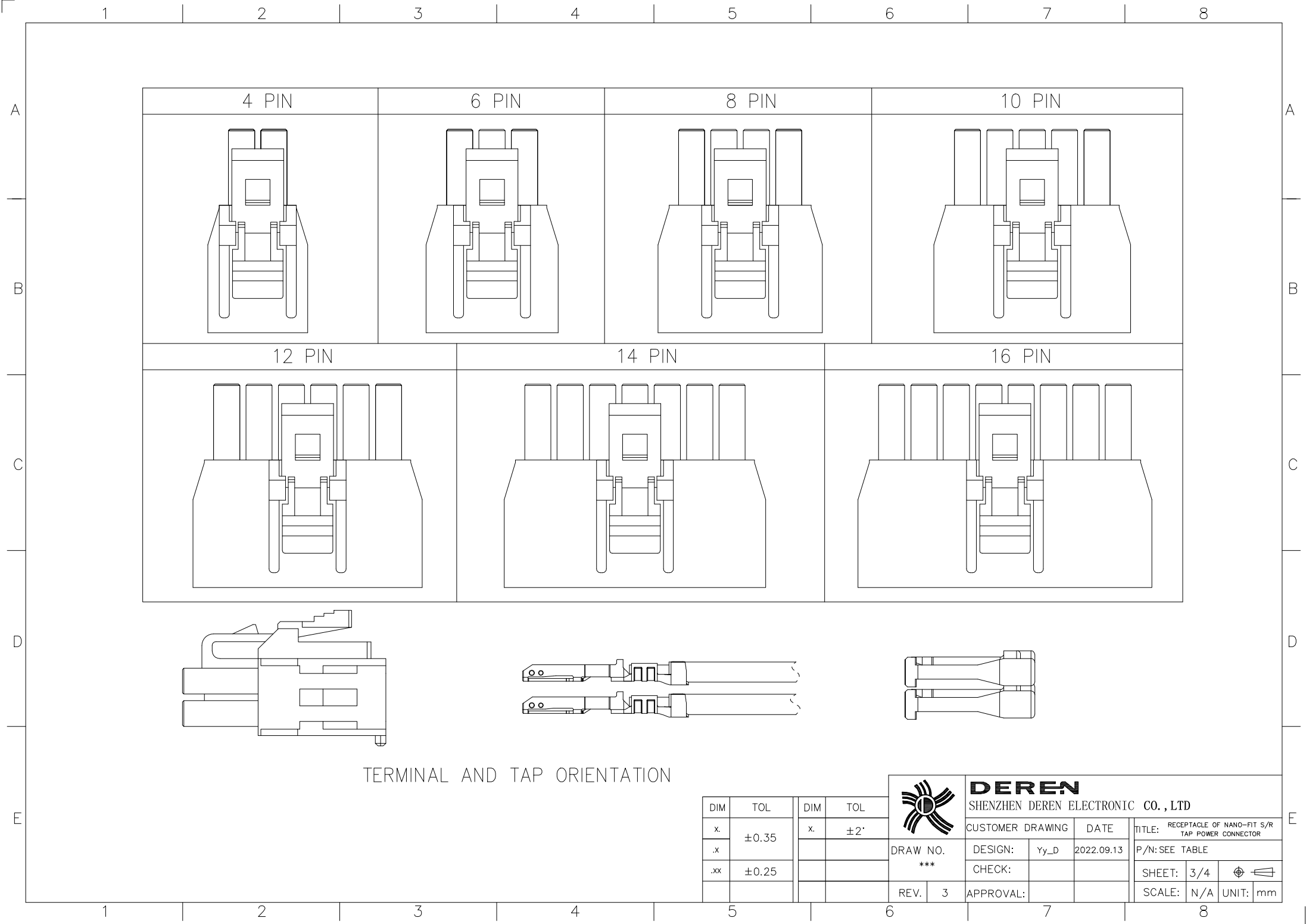
DEREN
 SHENZHEN DEREN ELECTRONIC CO., LTD

CUSTOMER DRAWING	DATE	TITLE: RECEPTACLE OF NANO-FIT S/R TAP POWER CONNECTOR
DESIGN: Yy_D	2022.09.13	P/N: SEE TABLE
CHECK:		SHEET: 1/4
APPROVAL:		SCALE: N/A UNIT: mm

DRAW NO. ***
 REV. 3



DIM	TOL	DIM	TOL	 DEREN SHENZHEN DEREN ELECTRONIC CO., LTD	CUSTOMER DRAWING		DATE	TITLE: RECEPTACLE OF NANO-FIT S/R TAP POWER CONNECTOR		
x.	±0.35	x.	±2'		DRAW NO. ***	DESIGN:	Yy_D	2022.09.13	P/N: SEE TABLE	
.x	±0.25			CHECK:				SHEET:	2/4	
				REV.	3	APPROVAL:		SCALE:	N/A	UNIT: mm



TERMINAL AND TAP ORIENTATION

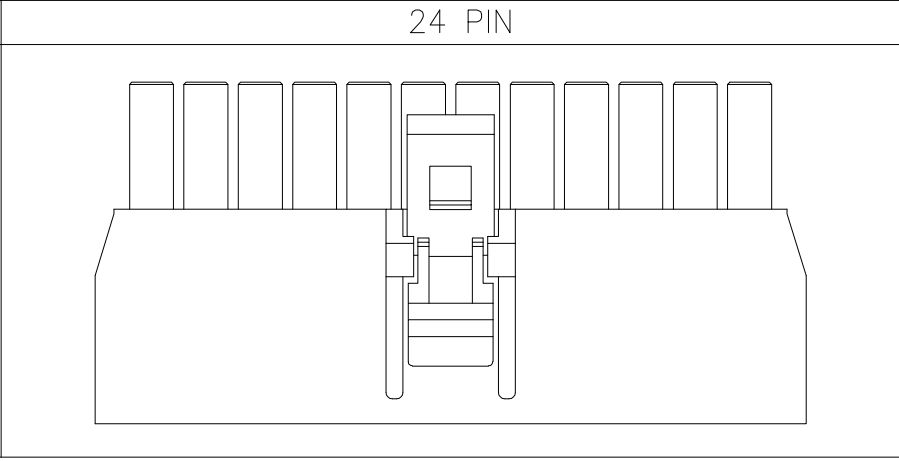
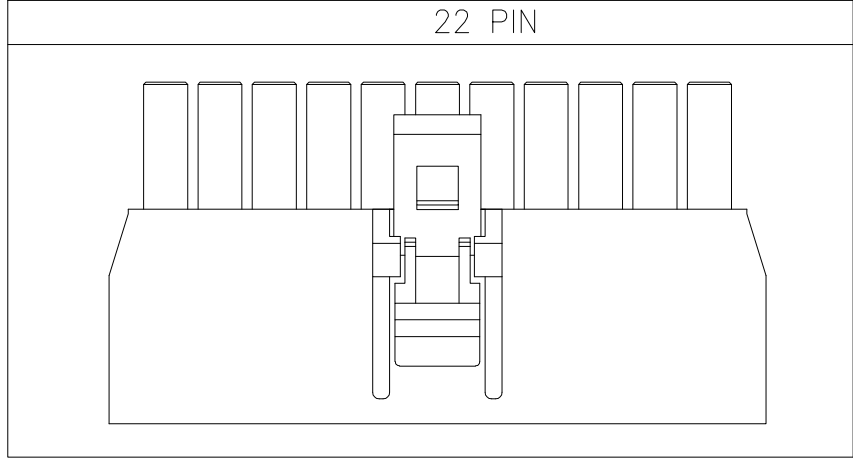
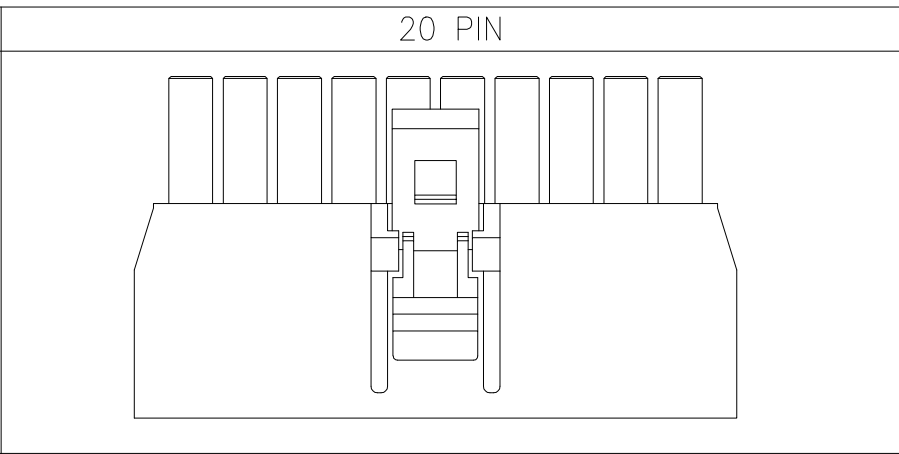
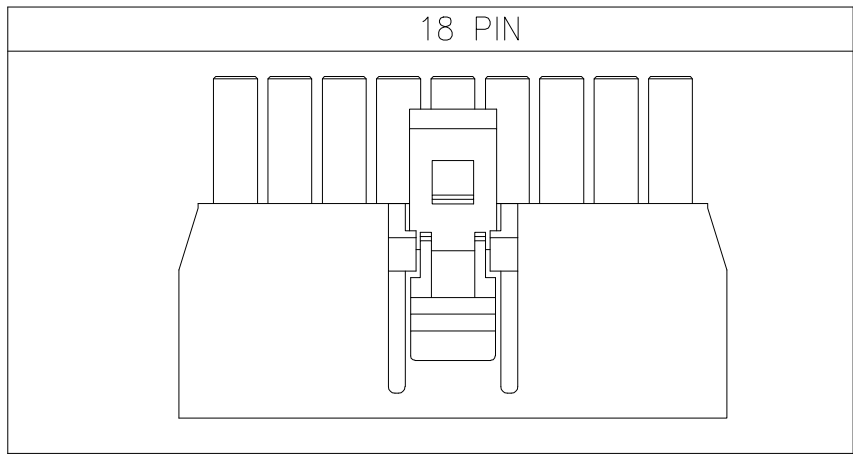
DIM	TOL	DIM	TOL
x.	±0.35	x.	±2'
.x			
.xx	±0.25		



DEREN SHENZHEN DEREN ELECTRONIC CO., LTD			
CUSTOMER DRAWING		DATE	TITLE: RECEPTACLE OF NANO-FIT S/R TAP POWER CONNECTOR
DESIGN:	Yy_D	2022.09.13	P/N: SEE TABLE
CHECK:			SHEET: 3/4
APPROVAL:			SCALE: N/A UNIT: mm

DRAW NO.

REV. 3



DIM	TOL	DIM	TOL
x.	±0.35	x.	±2°
.x			
.xx	±0.25		



DEREN			
SHENZHEN DEREN ELECTRONIC CO., LTD			
CUSTOMER DRAWING		DATE	TITLE: RECEPTACLE OF NANO-FIT S/R TAP POWER CONNECTOR
DRAW NO.	DESIGN:	Yy_D	P/N: SEE TABLE
***	CHECK:		SHEET: 4/4
REV.	APPROVAL:		SCALE: N/A UNIT: mm
3			