

ONLY FOR CKT 3,5,7
OTHER DIMENSIONS REFER TO LEFT VIEWS

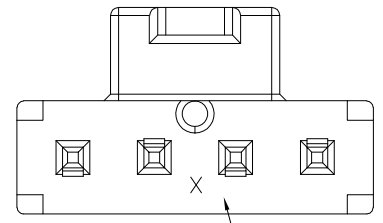
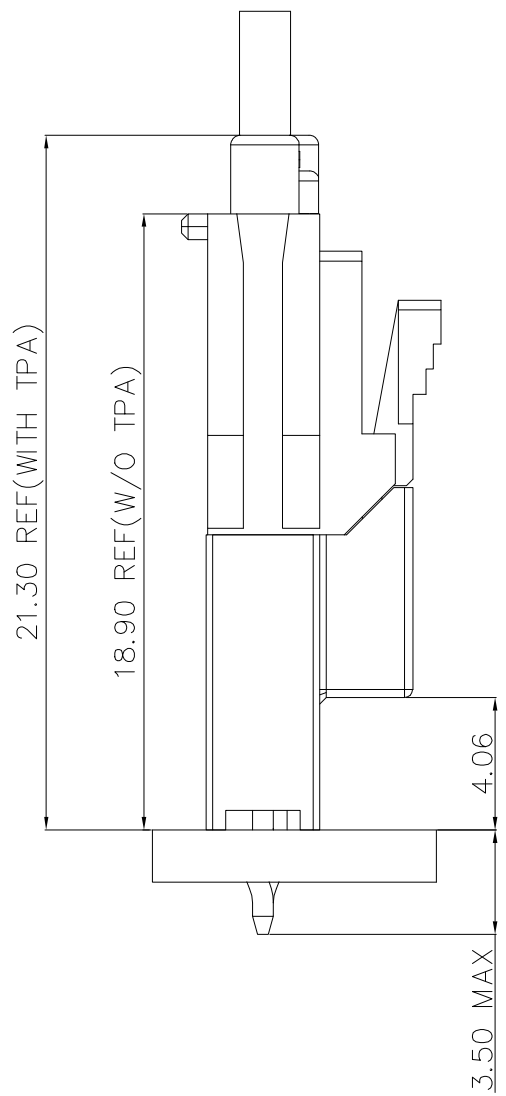
KEEP OUT ZONE
RECOMMENDED PCB LAYOUT(CONNECTOR SIDE VIEW)
THICKNESS=1.6 TO 2.4MM

REV.	ECN NO.	LOCATION	DESCRIPTION	DATE	DESIGN
1			INITIAL RELEASE	2018.01.10	Alex_Z
2			UPDATE P/N	2022.09.13	Yy_D

NOTES:
PRODUCT MEETS CONTROLLED SUBSTANCES SPEC.
1. MATERIAL:
1.1 HOUSING: LCP.
1.2 TERMINAL: BRASS
2. FINISH:
2.1 CONTACT:
GOLD PLATING(SEE DESCRIPTION) ON CONTACT AREA.
80u" MIN. MATTE-TIN PLATING ON SOLDER TAIL AREA.
50u" MIN. NICKEL UNDERPLATING OVERALL.

DIM	TOL	DIM	TOL	DEREN SHENZHEN DEREN ELECTRONIC CO., LTD			
x.	±0.35	x.	±2'	DRAW NO. ***	CUSTOMER DRAWING	DATE	TITLE: HEADER OF NANO-FIT D/R VERTICAL CONSPIR POWER CONNECTOR
.x	±0.25				DESIGN: Yy_D	2022.09.13	P/N: SEE TABLE
				REV. 2	CHECK:		SHEET: 1/4
					APPROVAL:		SCALE: N/A UNIT: mm

DIM.A	DIM.B	PIN NO.
5.94	2.50	2
8.44	5.00	3
10.94	7.50	4
13.44	10.00	5
15.94	12.50	6
18.44	15.00	7
20.94	17.50	8



5708BG-004 R * * ** T

T: ACQUIESCENT
 PIN NO.:
 02: 2PIN

 08: 8PIN
 COLOR:
 0: BLACK
 1: NATURAL
 CONTACTS PLATING:
 1: TIN 2: Au 15u" 3: Au 30u"
 R: RoHS
 H: HALOGEN-FREE
 WTB

IF ANY NUMBER MARK APPEARS ON THIS SURFACE, PLEASE DISREGARD IT, IT IS NO ANY FUCTION AND NO ANY RELATION TO PIN NUMBER, IT IS JUST FOR MOLDING IDENTIFICATION.

DIM	TOL	DIM	TOL
x.	±0.35	x.	±2'
.x			
.xx	±0.25		



DEREN
 SHENZHEN DEREN ELECTRONIC CO., LTD

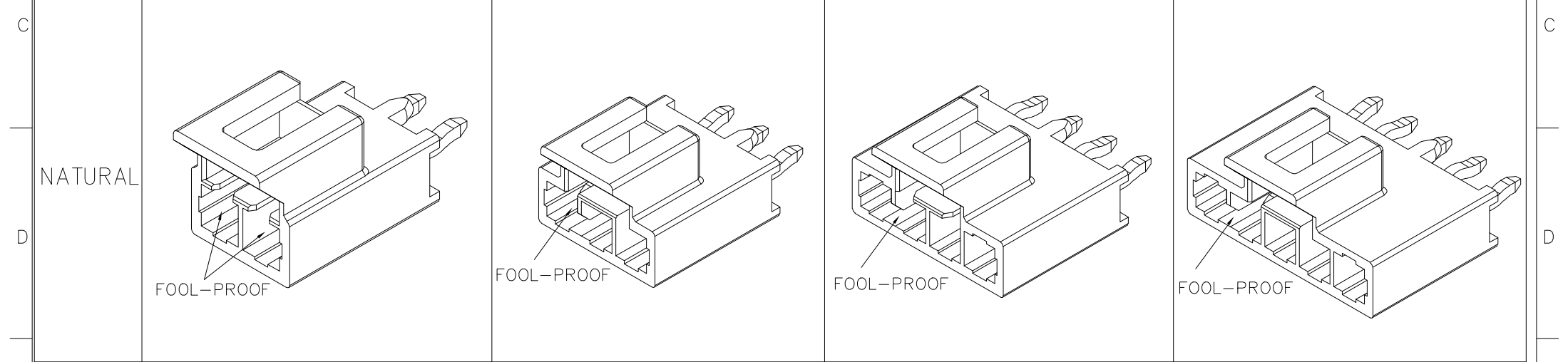
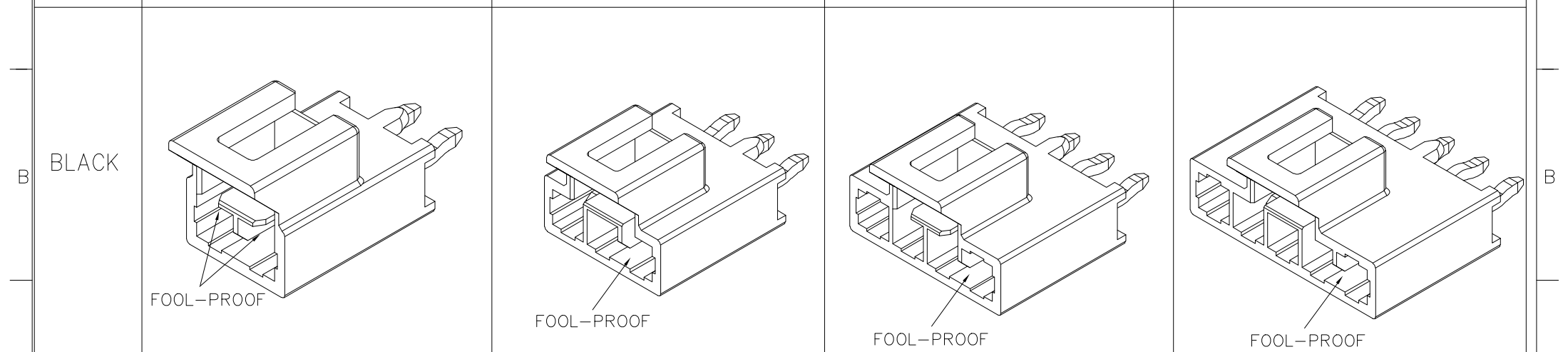
CUSTOMER DRAWING	DATE	TITLE: HEADER OF NANO-FIT D/R VERTICAL CONSIP POWER CONNECTOR	
DESIGN: Yy_D	2022.09.13	P/N: SEE TABLE	
CHECK:		SHEET: 2/4	
APPROVAL:		SCALE: N/A	UNIT: mm

DRAW NO.

REV. 2

1 2 3 4 5 6 7 8

A 2 PIN 3 PIN 4 PIN 5 PIN A



E E

DIM	TOL	DIM	TOL
x.	±0.35	x.	±2'
.x			
.xx	±0.25		



DEREN			
SHENZHEN DEREN ELECTRONIC CO., LTD			
CUSTOMER DRAWING		DATE	TITLE: HEADER OF NANO-FIT D/R
DESIGN: Yy_D	2022.09.13	VERTICAL CONSP POWER CONNECTOR	
CHECK:		P/N: SEE TABLE	
APPROVAL:		SHEET: 3/4	
REV. 2		SCALE: N/A	UNIT: mm

1 2 3 4 5 6 7 8

1 2 3 4 5 6 7 8

A

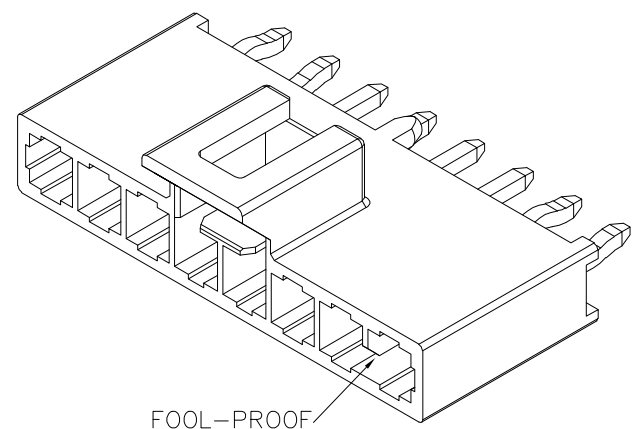
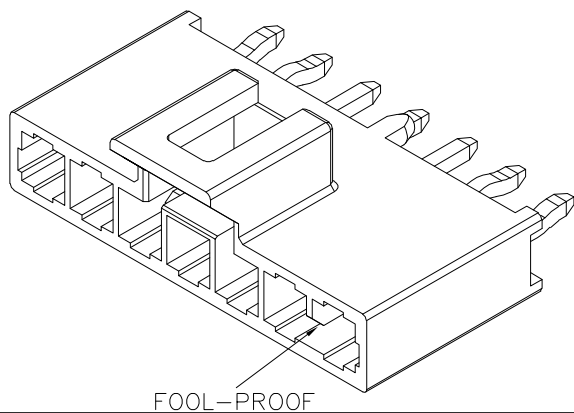
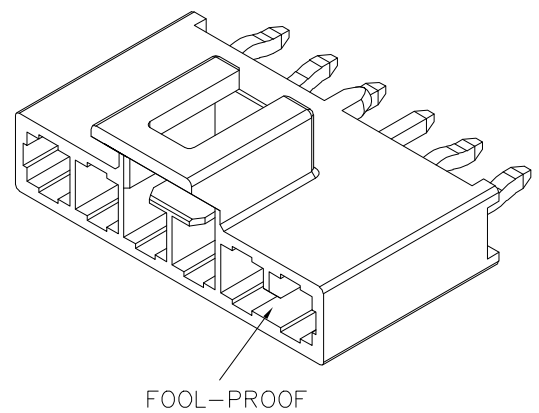
6 PIN

7 PIN

8 PIN

A

BLACK



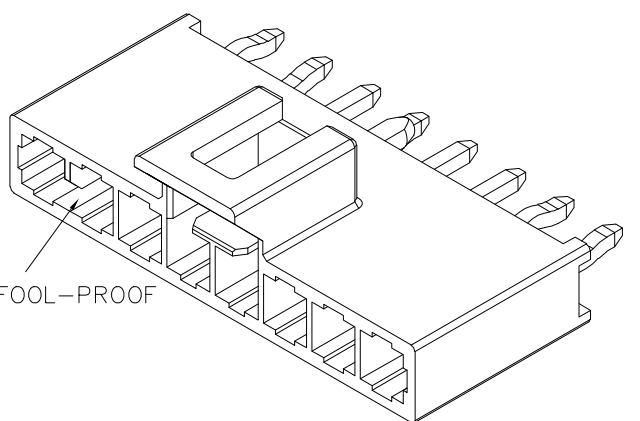
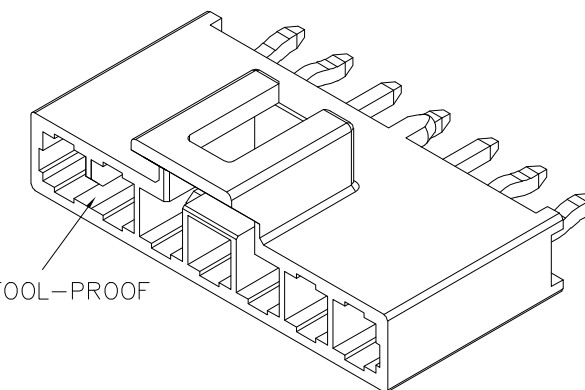
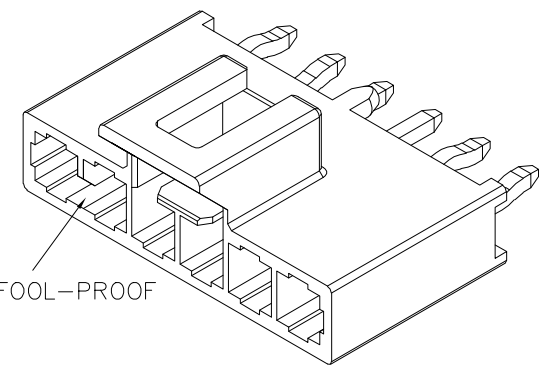
B

B

C

C

NATURAL



D

D

E

E

1 2 3 4 5 6 7 8

DIM	TOL	DIM	TOL
x.	±0.35	x.	±2'
.x			
.xx	±0.25		



DEREN			
SHENZHEN DEREN ELECTRONIC CO., LTD			
CUSTOMER DRAWING		DATE	TITLE: HEADER OF NANO-FIT D/R VERTICAL POWER CONNECTOR
DRAW NO. ***		DESIGN: Yy_D	P/N: SEE TABLE
REV. 2		CHECK:	SHEET: 4/4
APPROVAL:		SCALE: N/A	UNIT: mm

