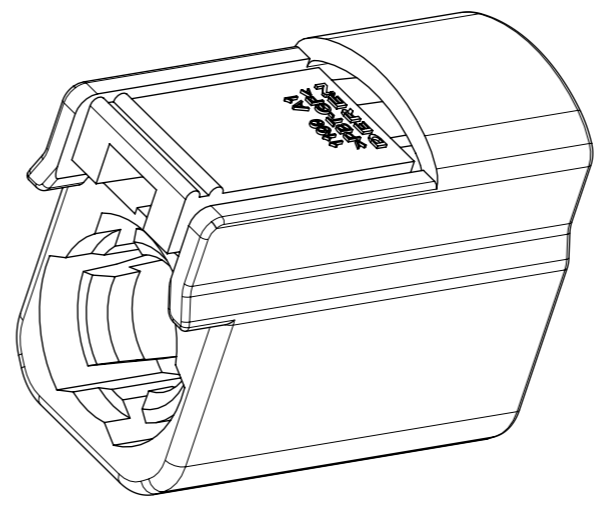
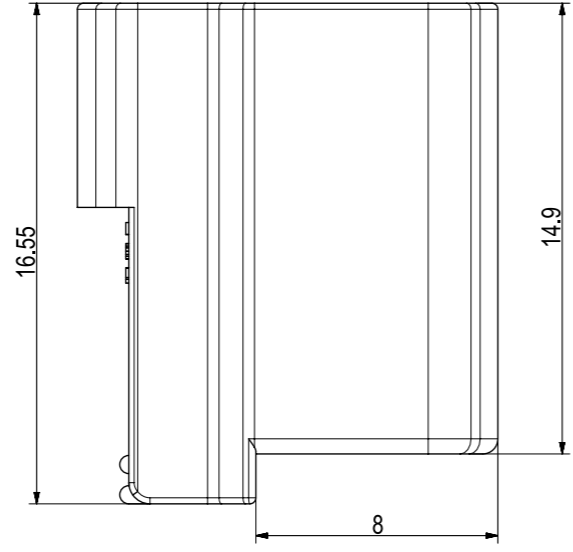
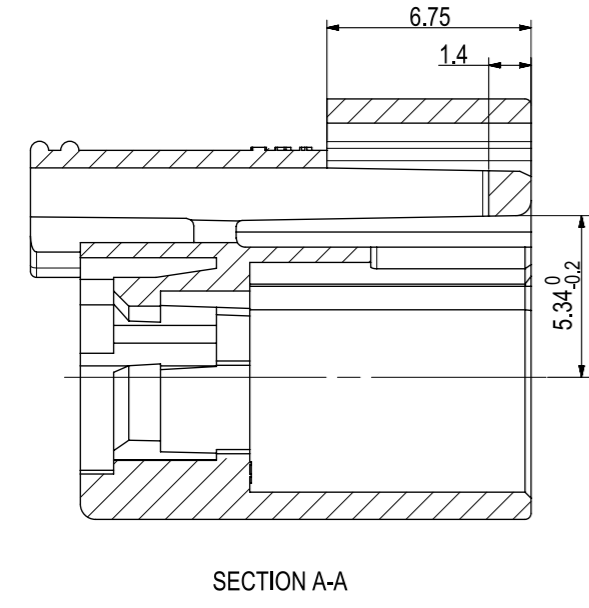
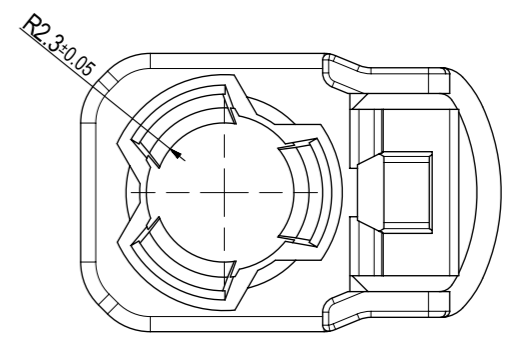
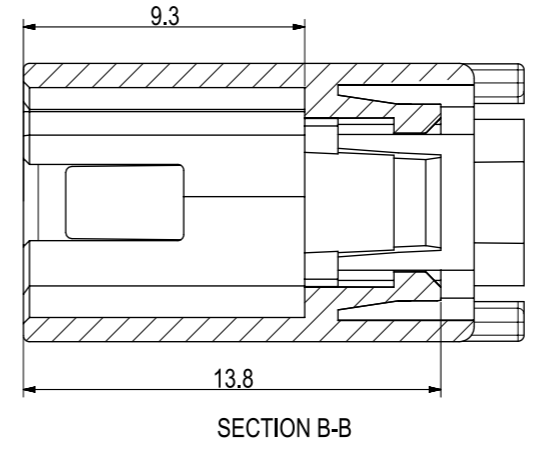
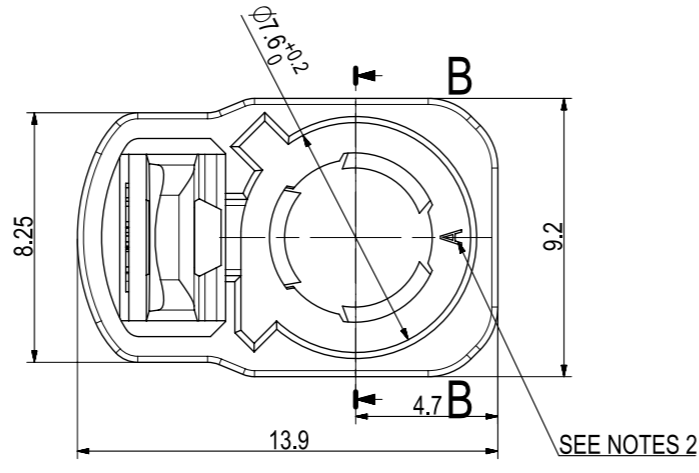
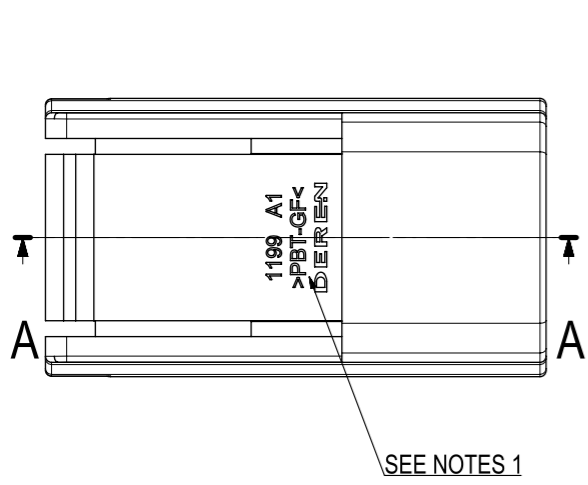




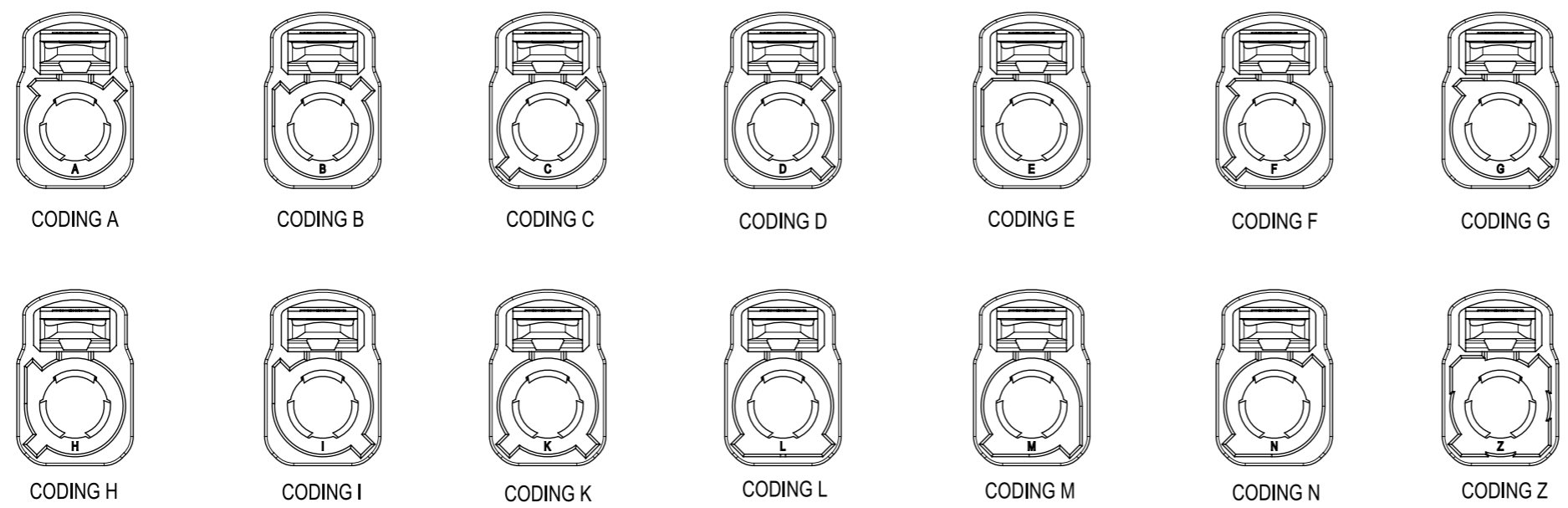
REV.	ECN NO.	LOCATION	DESCRIPTION	DATE	DESIGNER
X1	-	-	INITIAL RELEASE	2020/01/05	XUKUNHUA



- NOTES
1. 模具号, 模穴号, 材质码字高0.5mm; DEREN LOGO字高0.4mm.
 2. CODING码字高0.7mm.

HM1199

ANGLE	± 2°
120	± 0.6
80	± 0.5
50	± 0.4
30	± 0.3
18	± 0.25
6	± 0.2
0	± 0.15
>	<
GENERAL TOLERANCE	



NO.	CODING	DEREN PIN.	REV	MATERIAL	SURFACE COLOR	VOLUME(CM³)	WEIGHT(g)	NOTES
14	Z	6A0101-036R	A	PBT-GF	WATER BLUE	0.85	***	
13	N	6A0101-035R	A	PBT-GF	PASTEL GREEN	0.85	***	
12	M	6A0101-034R	A	PBT-GF	PASTEL ORANGE	0.85	***	
11	L	6A0101-033R	A	PBT-GF	CARMINE RED	0.85	***	
10	K	6A0101-032R	A	PBT-GF	CURRY	0.85	***	
9	I	6A0101-031R	A	PBT-GF	BEIGE	0.85	***	
8	H	6A0101-030R	A	PBT-GF	VIOLET	0.85	***	
7	G	6A0101-029R	A	PBT-GF	GREY	0.85	***	
6	F	6A0101-028R	A	PBT-GF	BROWN	0.85	***	
5	E	6A0101-027R	A	PBT-GF	GREEN	0.85	***	
4	D	6A0101-026R	A	PBT-GF	BORDEAUX	0.85	***	
3	C	6A0101-025R	A	PBT-GF	BLUE	0.85	***	
2	B	6A0101-024R	A	PBT-GF	WHITE	0.85	***	
1	A	6A0101-023R	A	PBT-GF	BLACK	0.85	***	

DEREN
SHENZHEN DEREN ELECTRONIC CO.,LTD

INSPECTION DRAWING DATE: 2020/01/05

TITLE: Fakra sealed single female connector 90° ASSY

DESIGN: XUKUNHUA P/N: SEE TABLE

CHECK: SA1801050 SHEET: 1/1

APPROVAL: REV. X1 SCALE: 4:1 UNIT: Mm