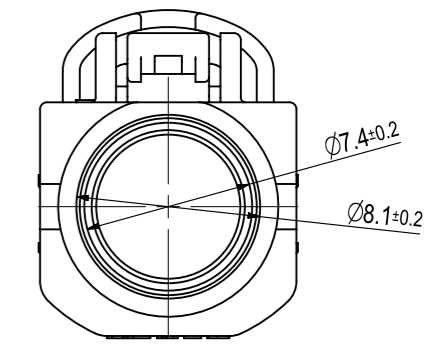
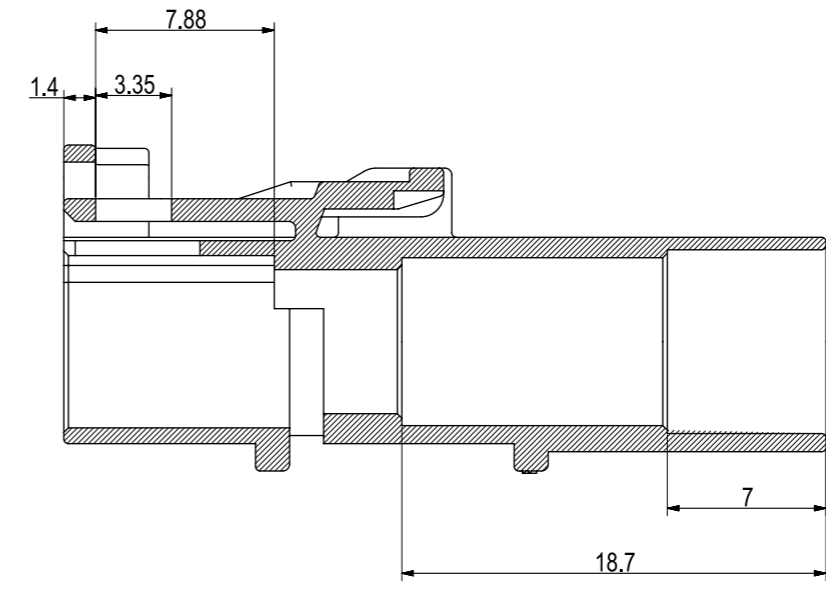
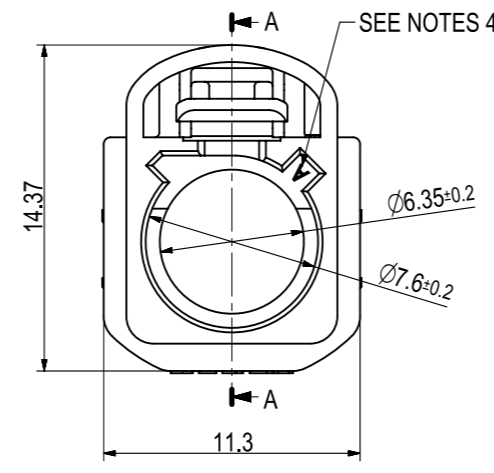
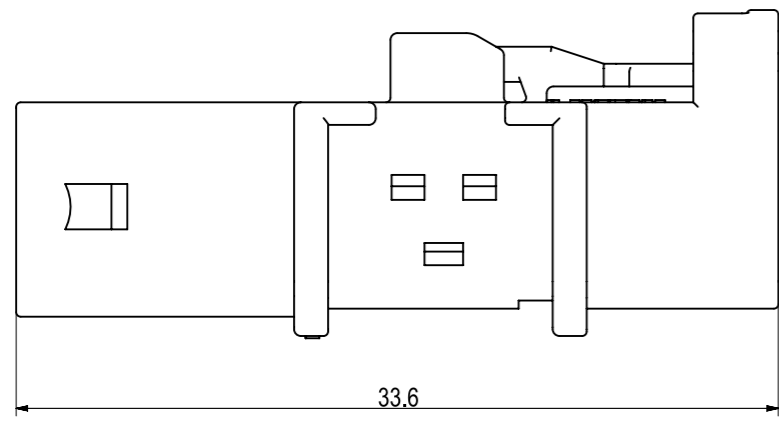
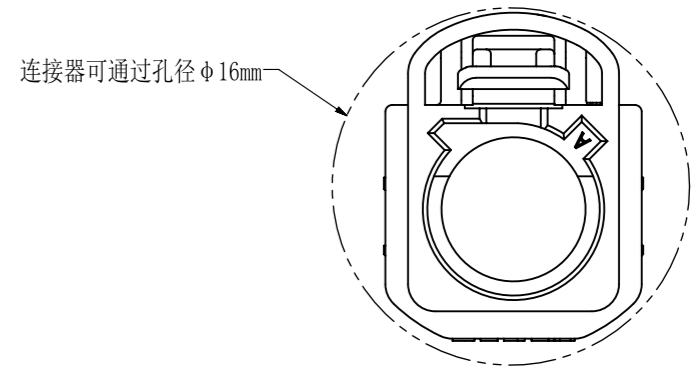




REV.	ECN NO.	LOCATION	DESCRIPTION	DATE	DESIGNER
A	---	---	INITIAL RELEASE	2018/4/19	赵才

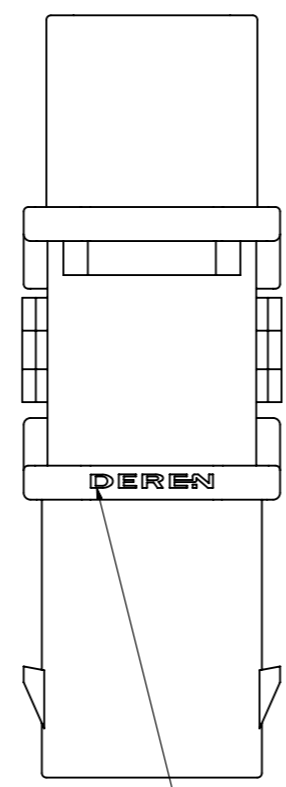


SECTION A-A

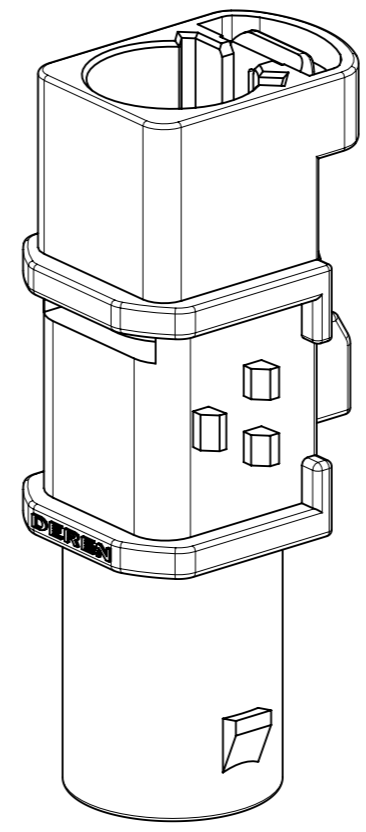


SCALE 2:1

Coding A	Coding B	Coding C	Coding D	Coding E
Coding F	Coding G	Coding H	Coding I	Coding K
Coding L	Coding M	Coding N	Coding Z	



SEE NOTES 5



NO.	CODING	DEREN P/N.	REV	MATERIAL	SURFACE COLOR	VOLUME (CM ³)	WEIGHT (g)	NOTES
14	Z	6A0101-056R	A	PBT-GF	WATER BLUE	1.37	1.9	---
13	N	6A0101-055R	A	PBT-GF	PASTEL GREEN	1.37	1.9	---
12	M	6A0101-054R	A	PBT-GF	PASTEL ORANGE	1.37	1.9	---
11	L	6A0101-053R	A	PBT-GF	CARMINE RED	1.37	1.9	---
10	K	6A0101-052R	A	PBT-GF	CURRY	1.37	1.9	---
9	I	6A0101-051R	A	PBT-GF	BEIGE	1.37	1.9	---
8	H	6A0101-050R	A	PBT-GF	VIOLET	1.37	1.9	---
7	G	6A0101-049R	A	PBT-GF	GREY	1.37	1.9	---
6	F	6A0101-048R	A	PBT-GF	BROWN	1.37	1.9	---
5	E	6A0101-047R	A	PBT-GF	GREEN	1.37	1.9	---
4	D	6A0101-046R	A	PBT-GF	BORDEAUX	1.37	1.9	---
3	C	6A0101-045R	A	PBT-GF	BLUE	1.37	1.9	---
2	B	6A0101-044R	A	PBT-GF	WHITE	1.37	1.9	---
1	A	6A0101-043R	A	PBT-GF	BLACK	1.37	1.9	---

ANGLE	± 2°
250	± 2.0
100 250	± 1.4
50 100	± 0.8
10 50	± 0.5
0 10	± 0.3
>	<
GENERAL TOLERANCE	

- NOTES:
- MUST BE FREE OF FLASH, SHRINKS AND IMPERFECTION THAT AFFECT FUNCTION.
 - MATERIAL IDENTIFICATION, HEIGHT 0.6mm/0.06mm SUNK TO BE LOCATED AS SHOWN.
 - MOLD CAVITY NUMBER HEIGHT 0.6mm/0.06mm RAISED TO BE LOCATED AS SHOWN.
 - CODING NUMBER HEIGHT 0.8mm/0.05mm RAISED TO BE LOCATED AS SHOWN.
 - CORPORATE BRAND HEIGHT 0.6mm/0.06mm RAISED TO BE LOCATED AS SHOWN.

	DEREN SHENZHEN DEREN ELECTRONIC CO., LTD		SHEET SIZE A3		
	CUSTOMER DRAWING		DATE		
DRAW NO. SA1800976		DESIGN: 赵才 2018/4/19		TITLE: Fakra sealed single female connector ASSY	
CHECK:		APPROVAL:		P/N: SEE TABLE	
REV. A		SCALE: 3:1		SHEET: 1/1	
UNIT: Mm					