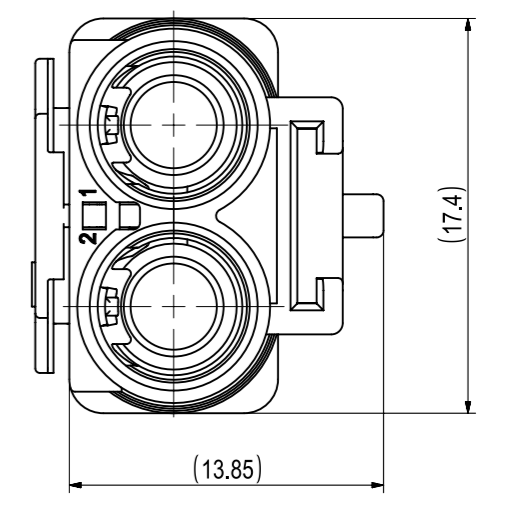
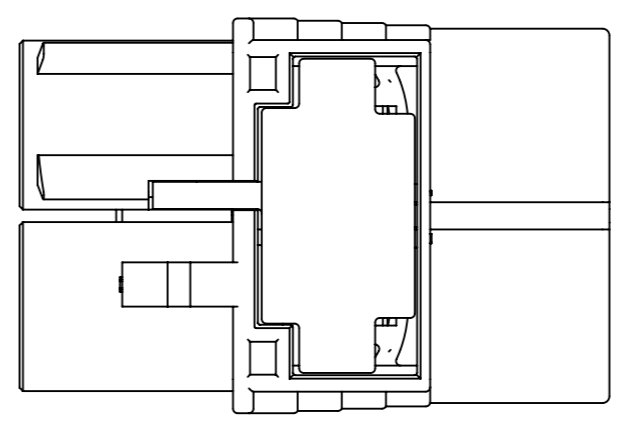
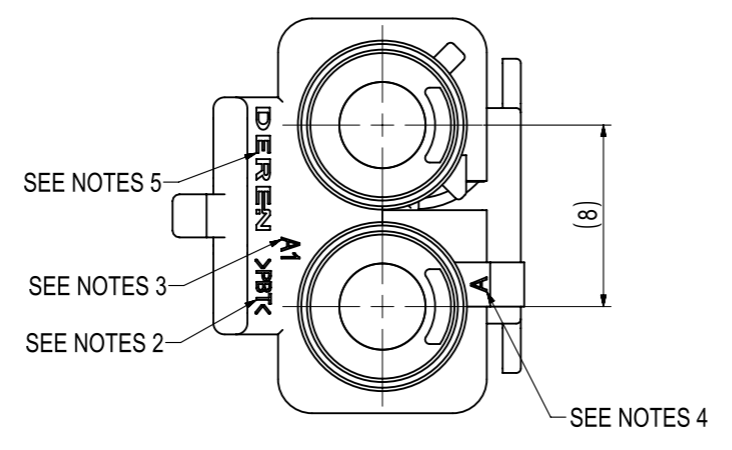
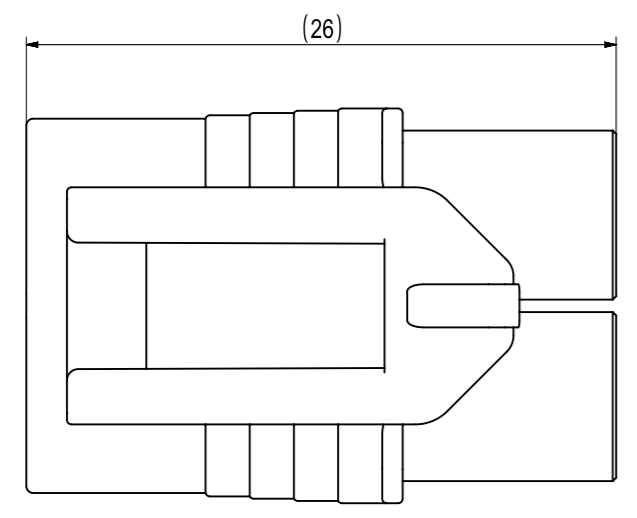




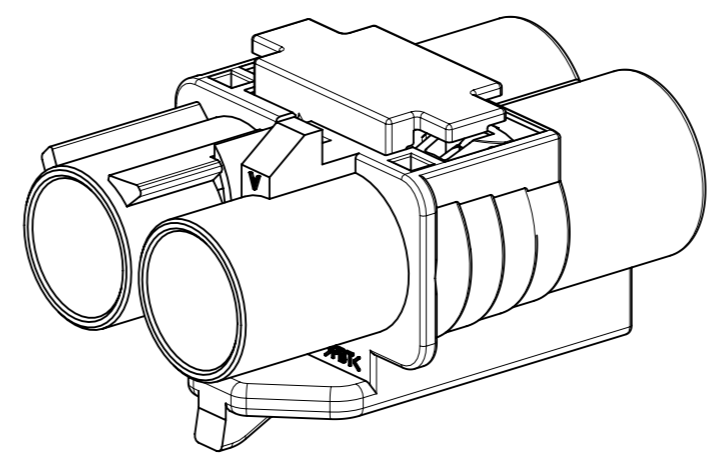
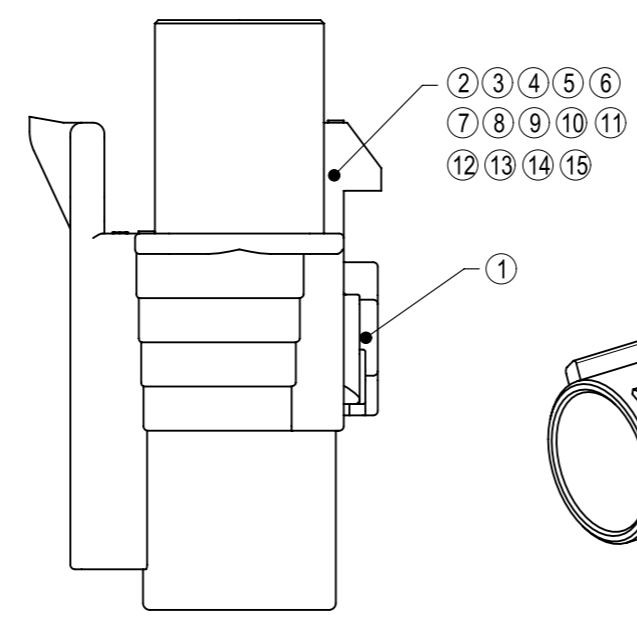
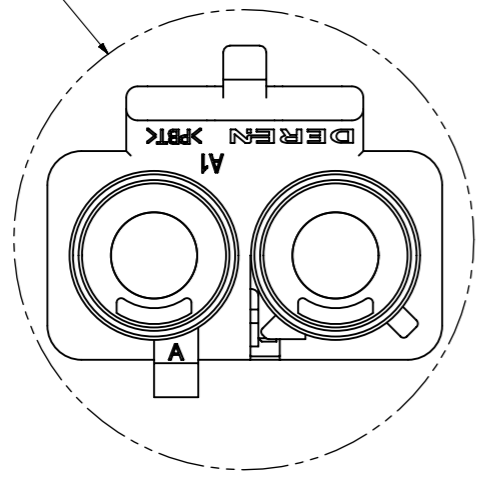
| REV. | ECN NO. | LOCATION | DESCRIPTION     | DATE      | DESIGNER |
|------|---------|----------|-----------------|-----------|----------|
| A    | ...     | ...      | INITIAL RELEASE | 2018/4/27 | 赵才       |



NOTES:

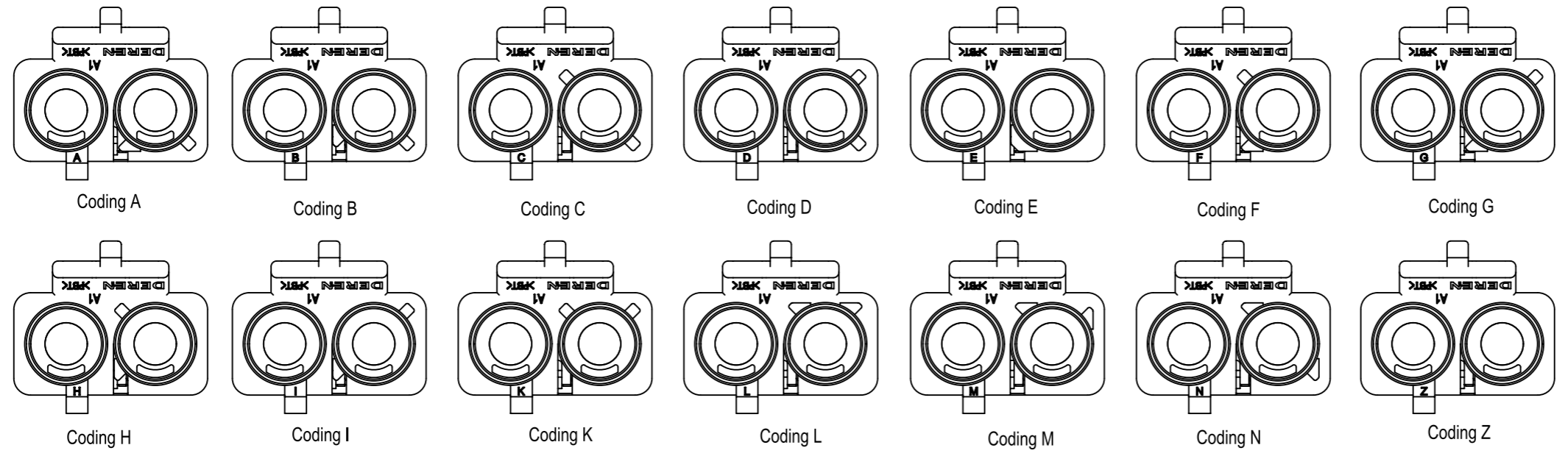
- MUST BE FREE OF FLASH, SHRINKS AND IMPERFECTION THAT AFFECT FUNCTION.
- MATERIAL IDENTIFICATION, HEIGHT 0.6mm/0.1mm SUNK TO BE LOCATED AS SHOWN.
- MOLD CAVITY NUMBER HEIGHT 0.8mm/0.1mm RAISED TO BE LOCATED AS SHOWN.
- CODING NUMBER HEIGHT 0.7mm/0.05mm RAISED TO BE LOCATED AS SHOWN.
- CORPORATE BRAND HEIGHT 0.6mm/0.1mm RAISED TO BE LOCATED AS SHOWN.

连接器可通过孔径  $\phi 20\text{mm}$



| ⑮   | Z | 650104-051R | A | PBT-GF | WATER BLUE    | 1.45  | 2.13 | — |
|-----|---|-------------|---|--------|---------------|-------|------|---|
| ⑭   | N | 650104-050R | A | PBT-GF | PASTEL GREEN  | 1.45  | 2.13 | — |
| ⑬   | M | 650104-049R | A | PBT-GF | PASTEL ORANGE | 1.45  | 2.13 | — |
| ⑫   | L | 650104-048R | A | PBT-GF | CARMINE RED   | 1.45  | 2.13 | — |
| ⑪   | K | 650104-047R | A | PBT-GF | CURRY         | 1.45  | 2.13 | — |
| ⑩   | I | 650104-046R | A | PBT-GF | BEIGE         | 1.45  | 2.13 | — |
| ⑨   | H | 650104-045R | A | PBT-GF | VIOLET        | 1.45  | 2.13 | — |
| ⑧   | G | 650104-044R | A | PBT-GF | GREY          | 1.45  | 2.13 | — |
| ⑦   | F | 650104-043R | A | PBT-GF | BROWN         | 1.45  | 2.13 | — |
| ⑥   | E | 650104-042R | A | PBT-GF | GREEN         | 1.45  | 2.13 | — |
| ⑤   | D | 650104-041R | A | PBT-GF | BORDEAUX      | 1.45  | 2.13 | — |
| ④   | C | 650104-040R | A | PBT-GF | BLUE          | 1.45  | 2.13 | — |
| ③   | B | 650104-039R | A | PBT-GF | WHITE         | 1.45  | 2.13 | — |
| ②   | A | 650104-038R | A | PBT-GF | BLACK         | 1.45  | 2.13 | — |
| ①   |   | 650799-018R | A | PBT-GF | VIOLET        | 0.123 | 0.16 | — |
| ①+⑮ | Z | 6A0104-032R | A | —      | —             | —     | —    | — |
| ①+⑭ | N | 6A0104-031R | A | —      | —             | —     | —    | — |
| ①+⑬ | M | 6A0104-030R | A | —      | —             | —     | —    | — |
| ①+⑫ | L | 6A0104-029R | A | —      | —             | —     | —    | — |
| ①+⑪ | K | 6A0104-028R | A | —      | —             | —     | —    | — |
| ①+⑩ | I | 6A0104-027R | A | —      | —             | —     | —    | — |
| ①+⑨ | H | 6A0104-026R | A | —      | —             | —     | —    | — |
| ①+⑧ | G | 6A0104-025R | A | —      | —             | —     | —    | — |
| ①+⑦ | F | 6A0104-024R | A | —      | —             | —     | —    | — |
| ①+⑥ | E | 6A0104-023R | A | —      | —             | —     | —    | — |
| ①+⑤ | D | 6A0104-022R | A | —      | —             | —     | —    | — |
| ①+④ | C | 6A0104-021R | A | —      | —             | —     | —    | — |
| ①+③ | B | 6A0104-020R | A | —      | —             | —     | —    | — |
| ①+② | A | 6A0104-019R | A | —      | —             | —     | —    | — |

SCALE 2:1



| ANGLE             |     | $\pm 2^\circ$ |
|-------------------|-----|---------------|
| 250               |     | $\pm 2.0$     |
| 100               | 250 | $\pm 1.4$     |
| 50                | 100 | $\pm 0.8$     |
| 10                | 50  | $\pm 0.5$     |
| 0                 | 10  | $\pm 0.3$     |
| >                 | <   |               |
| GENERAL TOLERANCE |     |               |

**DEREN**  
SHENZHEN DEREN ELECTRONIC CO., LTD

CUSTOMER DRAWING: DATE: 2018/4/27  
TITLE: Fakra unsealed double male connector ASSY

DESIGN: 赵才  
CHECK: P/N: SEE TABLE

APPROVAL: SHEET: 1/1

SCALE: 3:1 UNIT: Mm