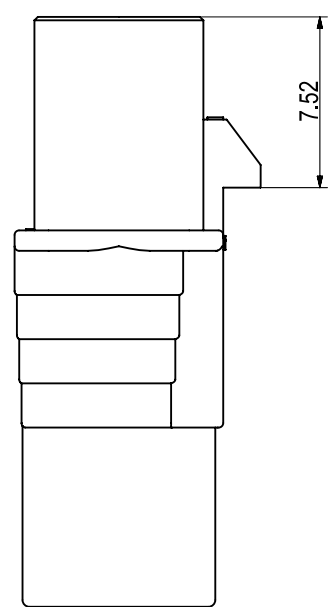
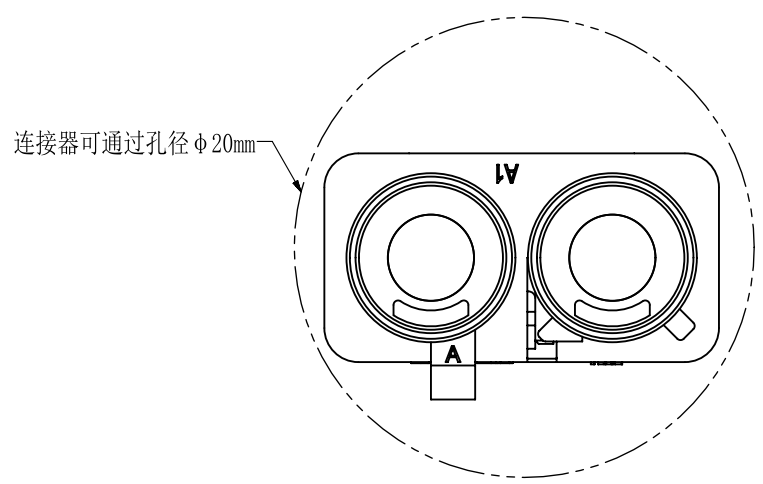
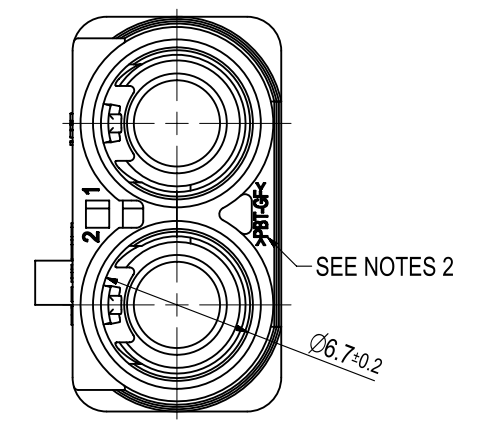
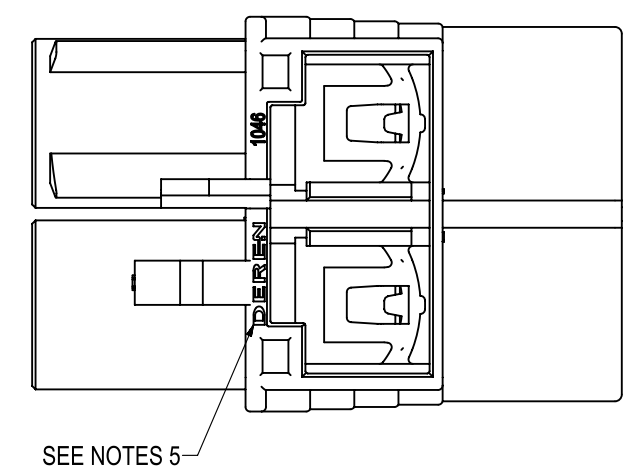
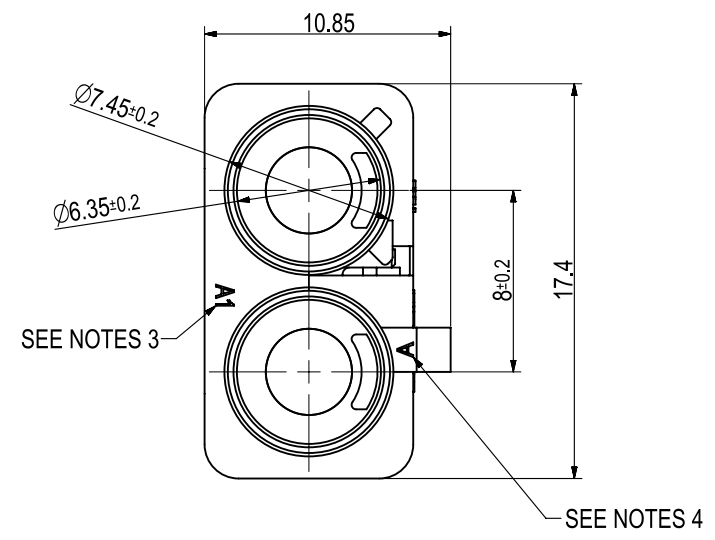
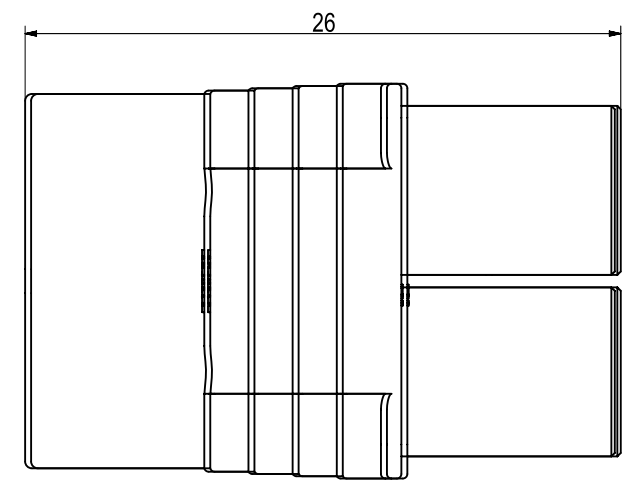


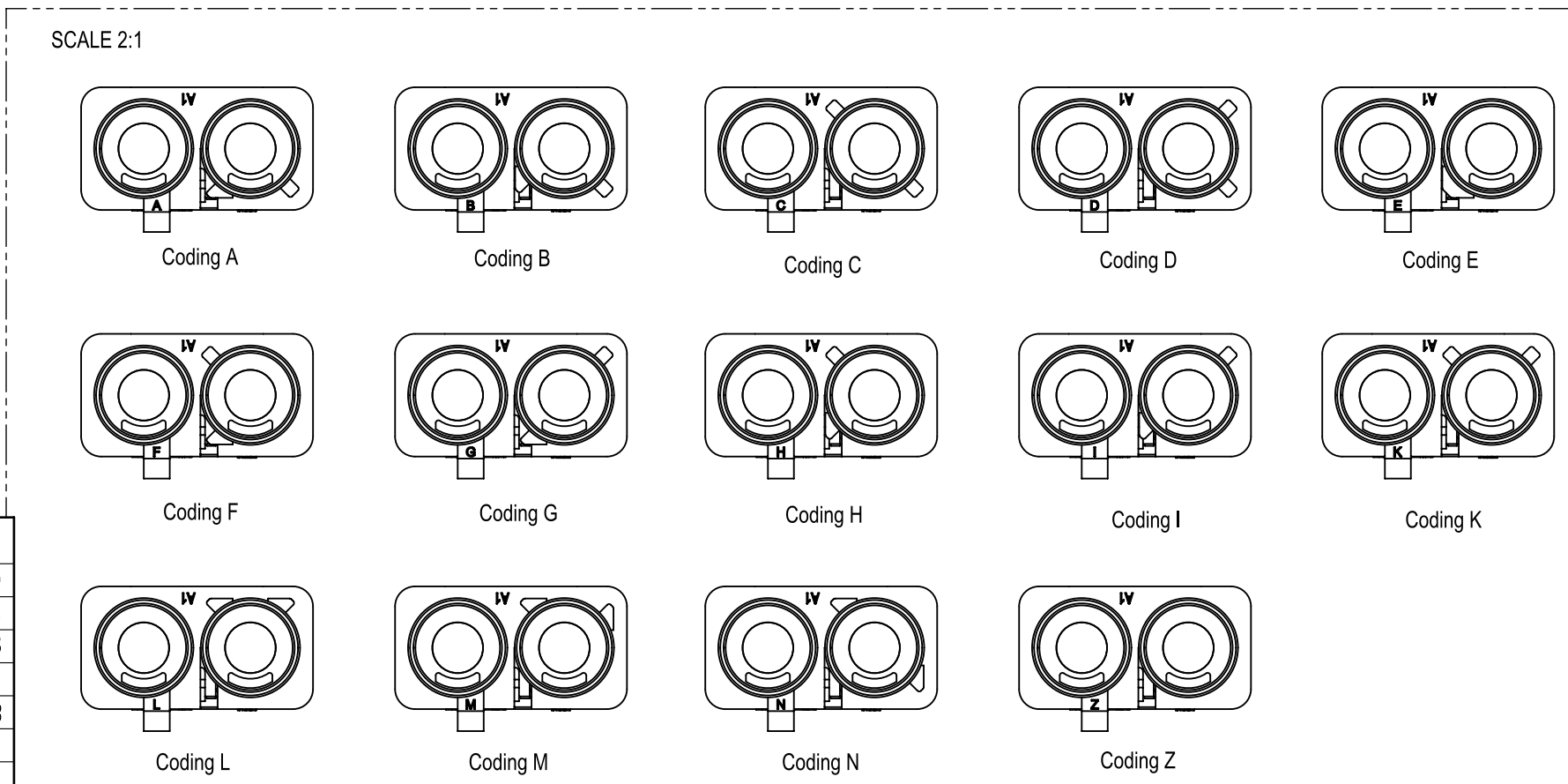


REV.	ECN NO.	LOCATION	DESCRIPTION	DATE	DESIGNER
A	INITIAL RELEASE	2019/4/4	赵才



- NOTES:
- MUST BE FREE OF FLASH, SHRINKS AND IMPERFECTION THAT AFFECT FUNCTION.
 - MATERIAL IDENTIFICATION, HEIGHT 0.6mm/0.1mm SUNK TO BE LOCATED AS SHOWN.
 - MOLD CAVITY NUMBER HEIGHT 0.8mm/0.1mm RAISED TO BE LOCATED AS SHOWN.
 - CODING NUMBER HEIGHT 0.7mm/0.05mm RAISED TO BE LOCATED AS SHOWN.
 - CORPORATE BRAND HEIGHT 0.6mm/0.1mm RAISED TO BE LOCATED AS SHOWN.

NO.	CODING	DEREN P/N.	REV	MATERIAL	SURFACE COLOR	VOLUME (CM ³)	WEIGHT (g)	NOTES
14	Z	6A0104-064R	A	PBT-GF	WATER BLUE	1.16	---	---
13	N	6A0104-063R	A	PBT-GF	PASTEL GREEN	1.16	---	---
12	M	6A0104-062R	A	PBT-GF	PASTEL ORANGE	1.16	---	---
11	L	6A0104-061R	A	PBT-GF	CARMINE RED	1.16	---	---
10	K	6A0104-060R	A	PBT-GF	CURRY	1.16	---	---
9	I	6A0104-059R	A	PBT-GF	BEIGE	1.16	---	---
8	H	6A0104-058R	A	PBT-GF	VIOLET	1.16	---	---
7	G	6A0104-057R	A	PBT-GF	GREY	1.16	---	---
6	F	6A0104-056R	A	PBT-GF	BROWN	1.16	---	---
5	E	6A0104-055R	A	PBT-GF	GREEN	1.16	---	---
4	D	6A0104-054R	A	PBT-GF	BORDEAUX	1.16	---	---
3	C	6A0104-053R	A	PBT-GF	BLUE	1.16	---	---
2	B	6A0104-052R	A	PBT-GF	WHITE	1.16	---	---
1	A	6A0104-051R	A	PBT-GF	BLACK	1.16	---	---



ANGLE	$\pm 2^\circ$	
250		± 2.0
100	250	± 1.4
50	100	± 0.8
10	50	± 0.5
0	10	± 0.3
>	<	
GENERAL TOLERANCE		

DEREN
SHENZHEN DEREN ELECTRONIC CO., LTD

SHEET SIZE
A3

CUSTOMER DRAWING		DATE		TITLE: Fakra unsealed double male connector B ASSY	
DESIGN: 赵才		2019/4/4			
DRAW NO. SA1901115		CHECK:		P/N: SEE TABLE	
REV. A		APPROVAL:		SHEET: 1/1	
				SCALE: 3:1	
				UNIT: Mm	