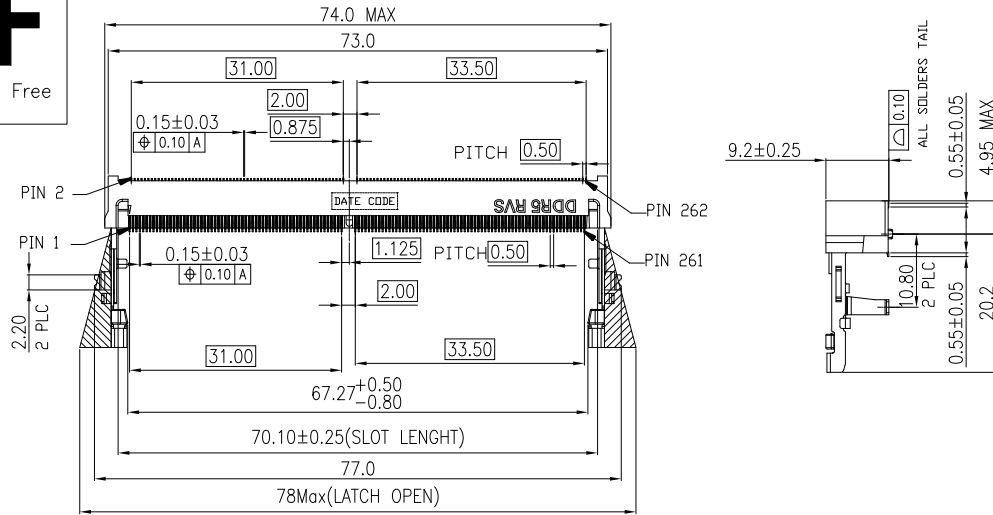


# HF

Halogen Free

REV.	ECN NO.	LOCATION	DESCRIPTION	DATE	DESIGN
A			INITIAL RELEASE	05/08,23	HC

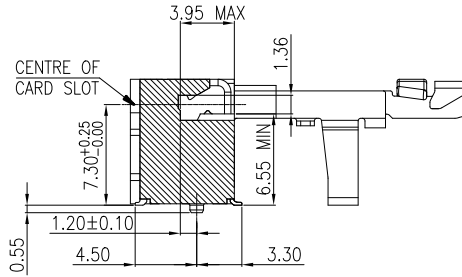
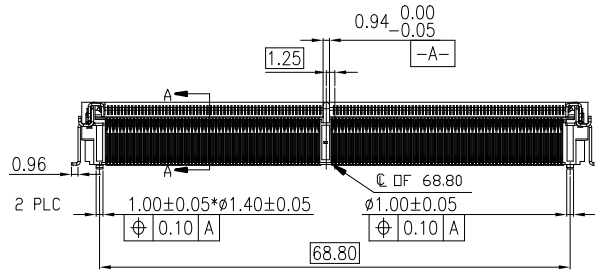


NOTES:

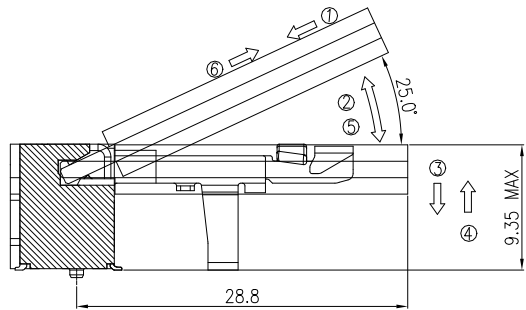
- MATERIAL:
  - HOUSING:LCP,UL94V-0,COLOR:BLACK.
  - CONTACT:PHOSPHOR BRONZE.
  - LATCH:STAINLESS STEEL.
- FINISH:
  - CONTACT:
    - 50u" MIN NICKEL UNDERPLATED ALL OVER.
    - GOLD FLASH PLATING ON SOLDER TAIL.
    - GOLD PLATING (THICKNESS SEE P/N) ON CONTACT AREA.
  - SOLDER PEG:
    - 50u" MIN NICKEL UNDERPLATED ALL OVER.
    - 100u" MIN MATTE TIN PLATING ENTIRE OVER.
- DATE CODE :YYWDLX
 

YY: YEAR (09: 2009)  
 WW: WEEK (25: THE 25TH WEEK)  
 D: DAY (1~7: SUNDAY~SATURDAY)  
 L: LINE NUMBER OF ASSEMBLY (A: LINE A)  
 X: MANUFACTURE CODE
- RECOMMENDED STENCIL THICKNESS:0.12mm Min.
- UNSPECIFIED TOLERANCE:X.±0.5 .X±0.35 .XX±0.25 .XXX±0.15
- PART NUMBER DESCRIPTION:

567YD2-004H X R X X R



PACKING CODE:  
 R:TAPE&REEL  
 LOGO:  
 0:NO LOGO  
 1:DR LOGO  
 COLOR:  
 1:BLACK  
 2:WHITE  
 KEY TYPE:  
 R:RVS  
 PLATING CODE:1: GF 2: Au5u"  
 3: Au10u" 4: Au15u"  
 5: Au30u"  
 HALOGEN CODE:  
 H:HALOGEN FREE



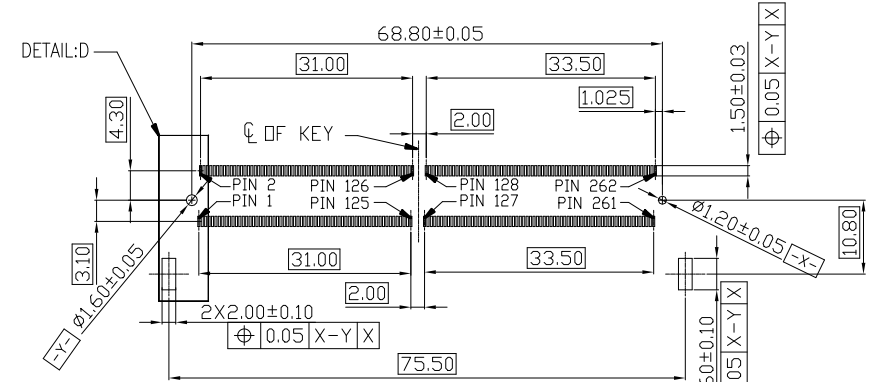
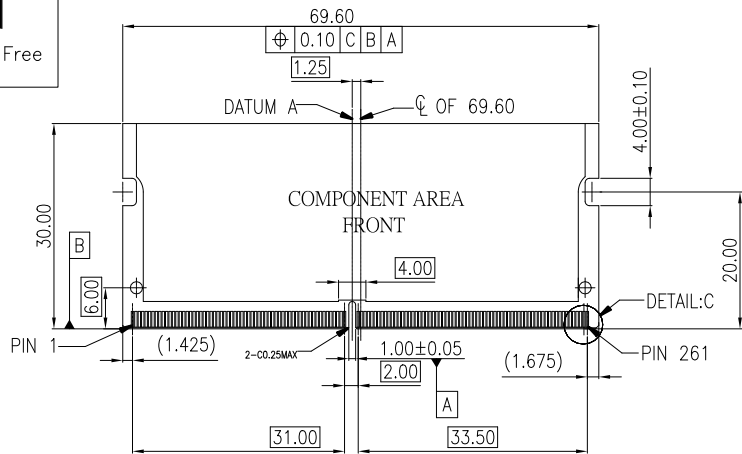
MATING: ① INSERTING(25°) → ② ROTATING → ③ FIXED  
 UNMATING: ④ UNFIXED → ⑤ ROTATING → ⑥ WITHDRAWING

DIM	TOL	DIM	TOL	DEREN SHENZHEN DEREN ELECTRONIC CO., LTD				
X.	±0.30	X.	±2'	DRAW NO. SC2107855-15	C-DWG:	TY	DATE	TITLE: DDR5 SO DIMM 262PIN 9.2H RVS METAL LATCH C-DWG
.X	±0.25	.X	±1'		DESIGN:	HC	2023.05.08	P/N: 567YD2-004HXRXR
.XX	±0.20			CHECK:				SHEET: 1/3
				REV.	A	APPROVAL:		SCALE: N/A UNIT: mm

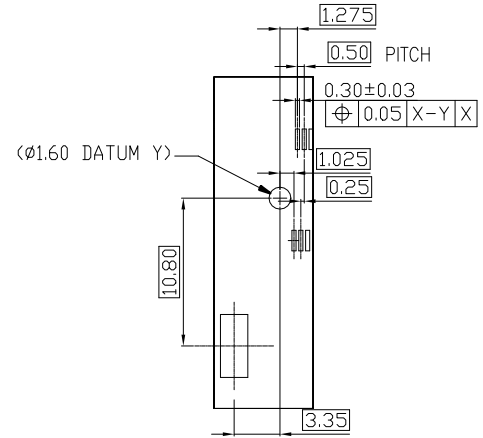
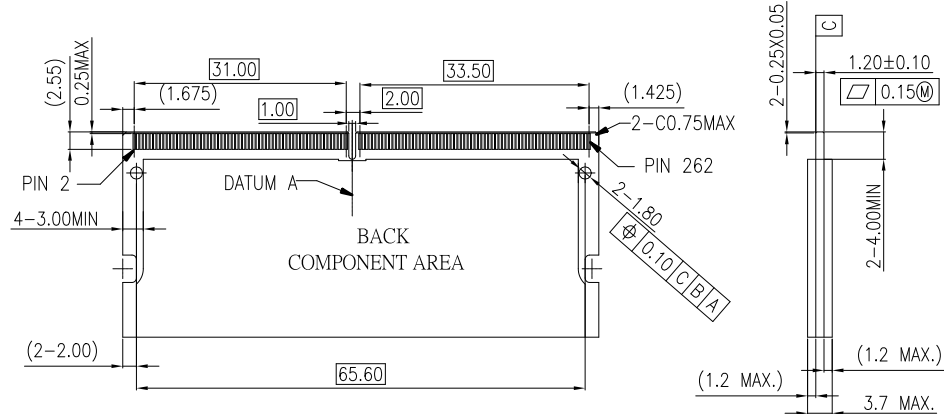
# HF

Halogen Free

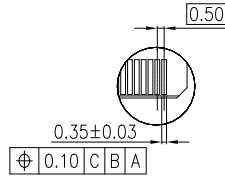
REV.	ECN NO.	LOCATION	DESCRIPTION	DATE	DESIGN
A			INITIAL RELEASE	05/08,23	HC



RECOMMEND PCB LAYOUT(TOP VIEW)  
 THE TOLERANCE UNLESS SPECIFIED IS ±0.05MM



DETAIL:D  
 SCALE 2:1



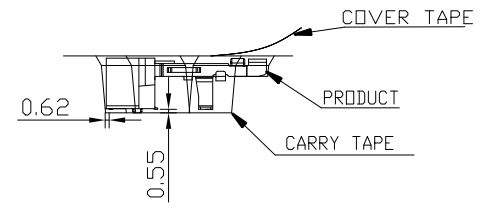
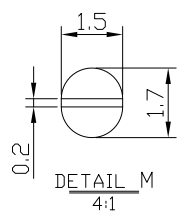
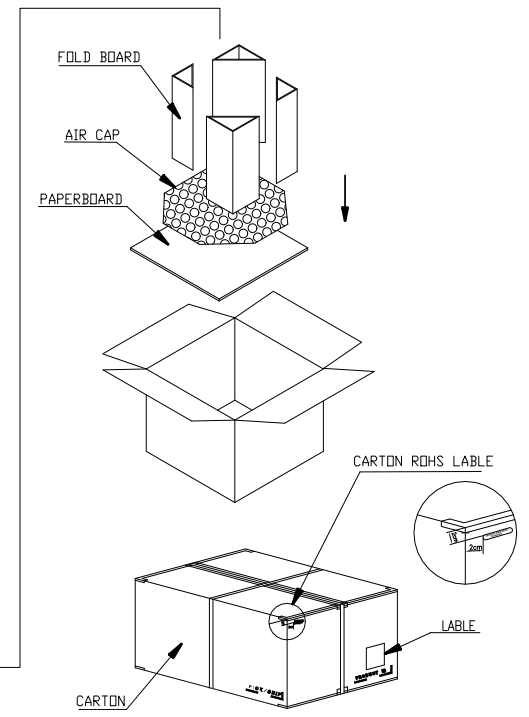
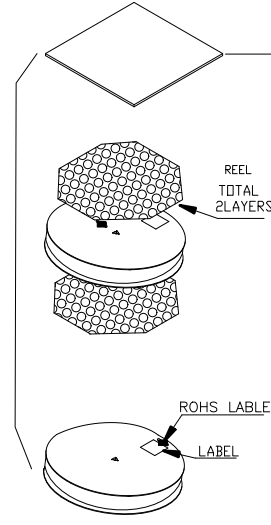
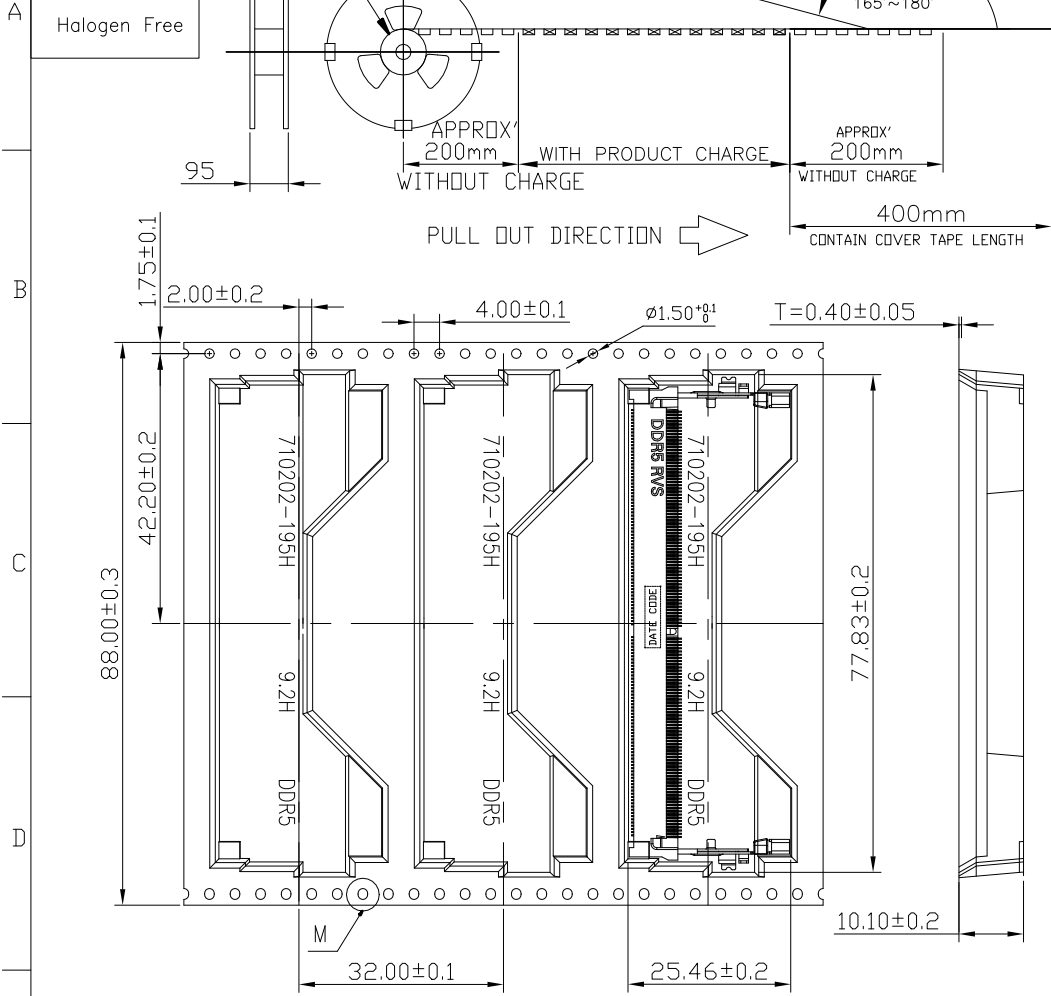
DETAIL:C  
 SCALE 2:1

DIM	TOL	DIM	TOL	DEREN				
X.	±0.30	X.	±2'	SHENZHEN DEREN ELECTRONIC CO., LTD				
.X	±0.25	.X	±1'					
.XX	±0.20			DRAW NO.	DESIGN:	TY	DATE	TITLE:
				SC2107855-15	HC		2023.05.08	DDR5 SO DIMM 262PIN 9.2H RVS METAL LATCH C-DWG
				REV.	A	APPROVAL:		P/N: 567YD2-004HXRXXR
								SHEET: 2/3
								SCALE: N/A UNIT: mm

# HF

Halogen Free

REV.	ECN NO.	LOCATION	DESCRIPTION	DATE	DESIGN
A			INITIAL RELEASE	05/08,23	HC



250	2	500	SEE P/N
PCS/ REEL	REEL/ CARTON	PCS/ CARTON	PART NUMBER

DIM	TOL	DIM	TOL	 <b>DEREN</b> SHENZHEN DEREN ELECTRONIC CO., LTD	C-DWG:		TY	DATE	TITLE: DDR5 SO DIMM 262PIN 9.2H RVS METAL LATCH C-DWG	
X.	$\pm 0.30$	X.	$\pm 2'$		DRAW NO. SC2107855-15 REV. A	DESIGN:	HC	2023.05.08	P/N: 567YD2-004HXRRR	
.X	$\pm 0.25$	.X	$\pm 1'$	CHECK:					SHEET:	3/3
.XX	$\pm 0.20$			APPROVAL:				SCALE:	N/A	UNIT: mm