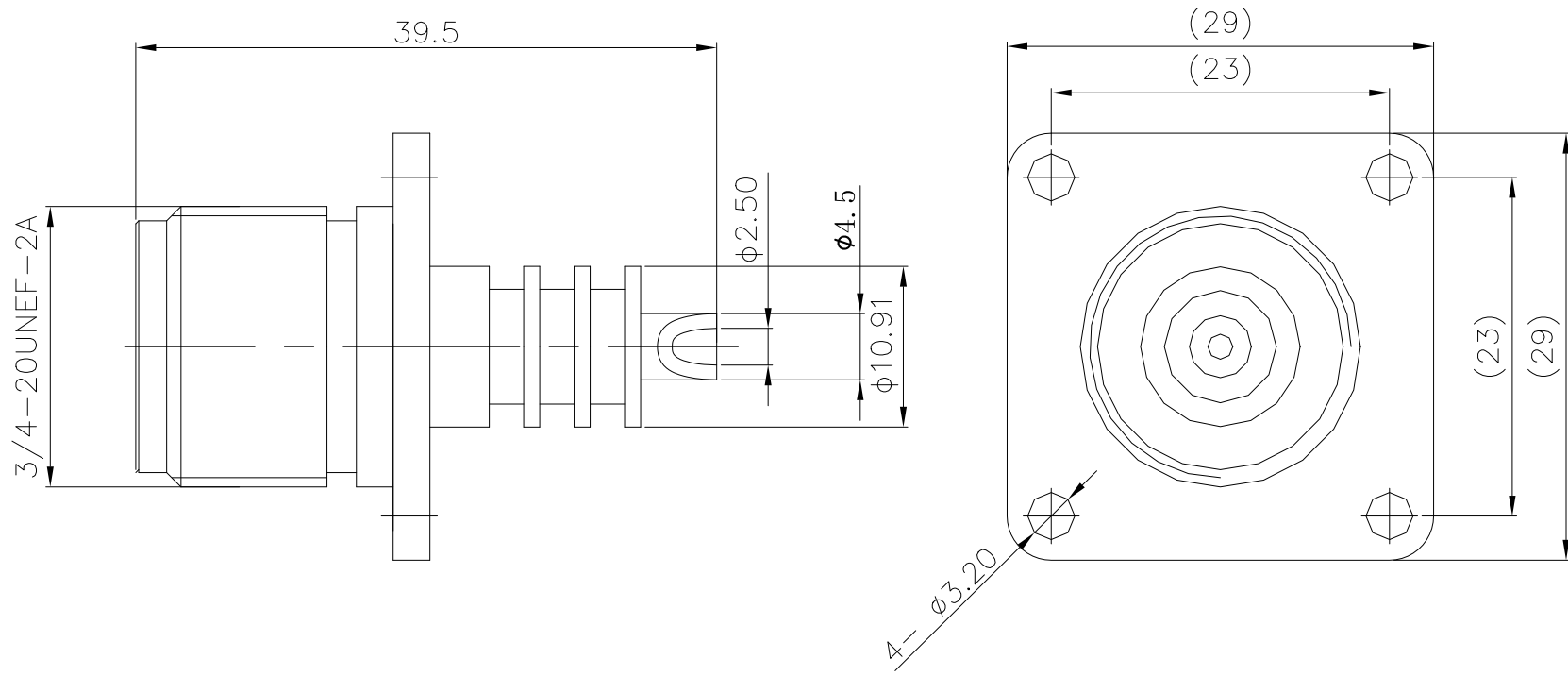


REV.	ECN NO.	LOCATION	DESCRIPTION	DATE	DESIGN
1			INITIAL RELEASE	24/04.28	Yy_D



5702BZ-044R0000T-TJ

T: TRAY
R: REEL
R:RoHS
H:HALOGEN-FREE
BNC

- 技术要求:
1. 材质符合RoHS;
 2. 内导体刨槽需与法兰任意面平行.
 3. 外导体黄铜镀金0.03um, 内导体镀铜镀镍2um镀金0.15um 绝缘子PTFE;
 4. 满足盐雾试验要求96H;

DIM	TOL	DIM	TOL	DEREN SHENZHEN DEREN ELECTRONIC CO.,LTD			
X.	±0.35	X.	±2'	C-DWG:	TY	DATE	TITLE: HN-KFD
.X	±0.30	.X	±1'	DESIGN:	Yy_D	24/04.28	P/N:
.XX	±0.25			CHECK:			SHEET: 1/1
				APPROVAL:			SCALE: N/A UNIT: mm



DRAW NO.
SCXXXXXX-X
REV. 1

DESIGN: Yy_D
DATE: 24/04.28
CHECK:
APPROVAL:

TITLE: HN-KFD
P/N:
SHEET: 1/1
SCALE: N/A UNIT: mm