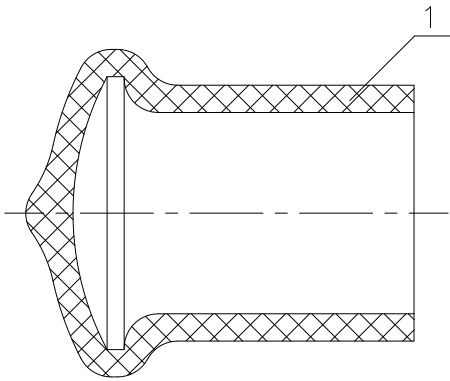
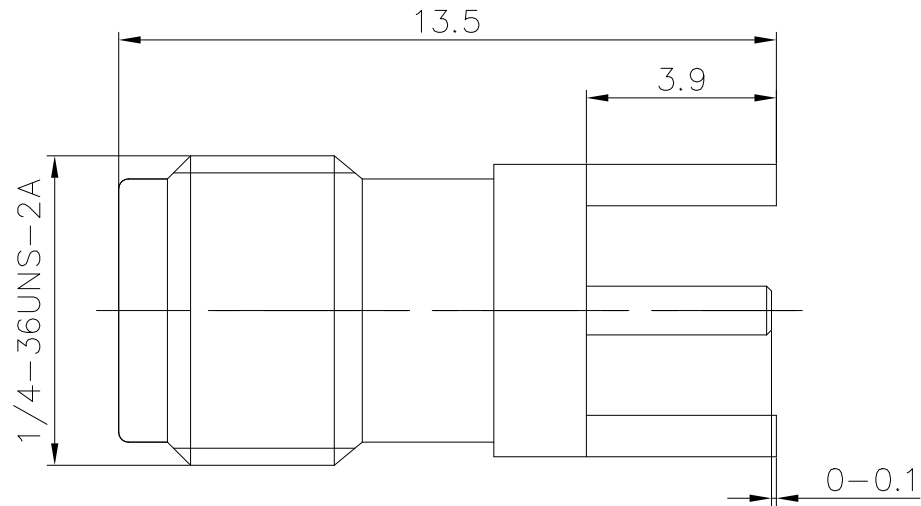
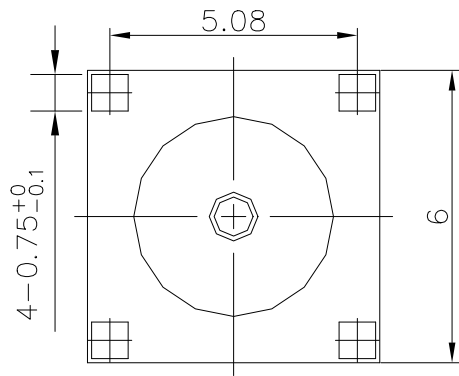


REV.	ECN NO.	LOCATION	DESCRIPTION	DATE	DESIGN
1			INITIAL RELEASE	24/04.28	Yy_D



5702BZ-040R0000T-TJ

T: TRAY  
R: REEL  
R:RoHS  
H:HALOGEN-FREE  
BNC

技术要求:

1. 未注线性尺寸公差按GB/T1804-m;
2. 外导体黄铜镀金0.06um, 内导体镀铜镀镍2um镀金0.15um, 绝缘子PTFE;
3. 材质符合RoHS;
4. 接头符合SMA标准;
5. 满足盐雾试验要求96H;

DIM	TOL	DIM	TOL	DEREN SHENZHEN DEREN ELECTRONIC CO.,LTD				
X.	±0.35	X.	±2'	DRAW NO. SCXXXXXX-X	C-DWG:	TY	DATE	TITLE: SMA-KHD-3.9-01
.X	±0.30	.X	±1'		DESIGN:	Yy_D	24/04.28	P/N:
.XX	±0.25			CHECK:			SHEET:	1/1
				REV.	1	APPROVAL:	SCALE:	N/A
							UNIT:	mm