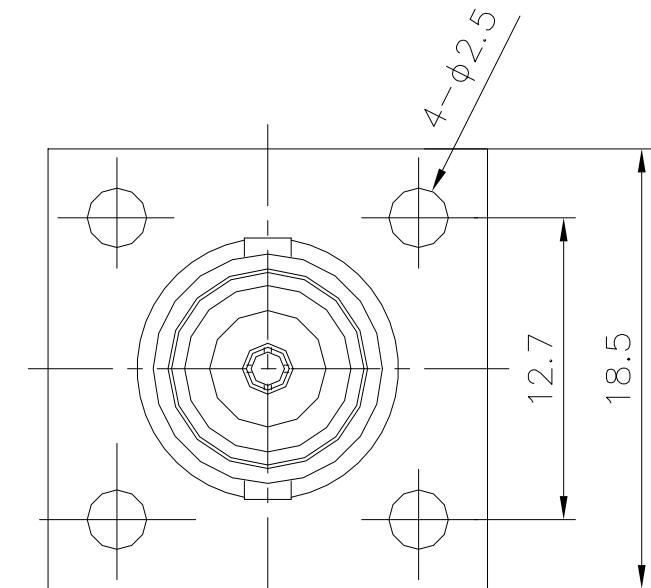
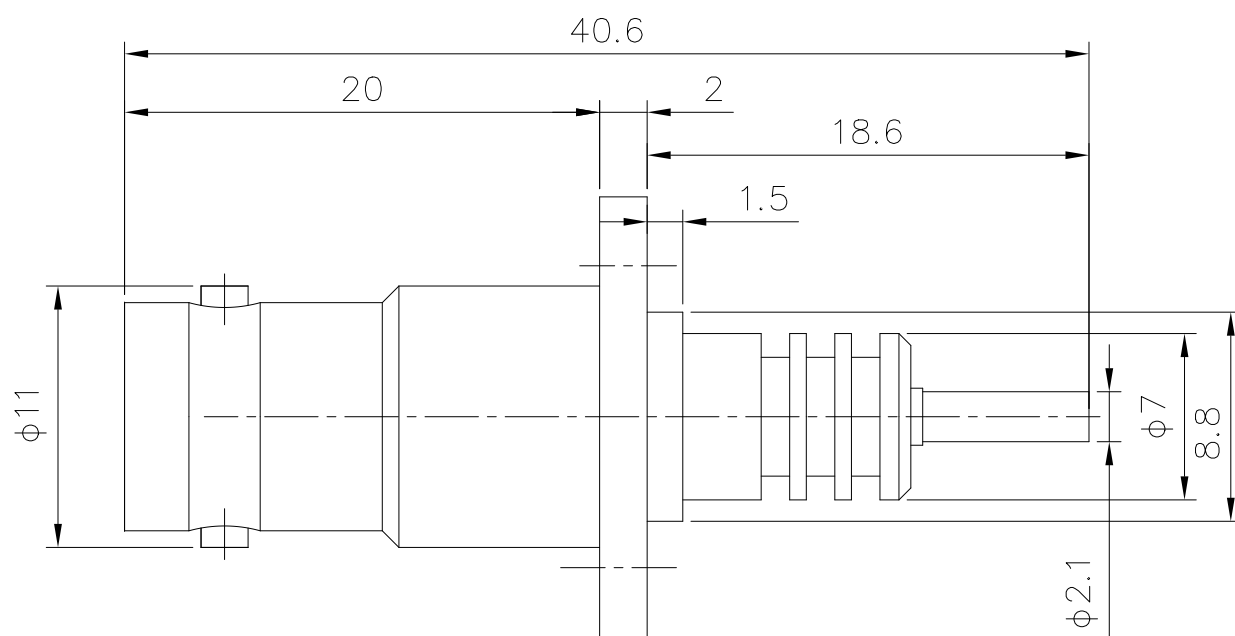


REV.	ECN NO.	LOCATION	DESCRIPTION	DATE	DESIGN
1			INITIAL RELEASE	24/04.28	Yy_D



5702BZ-043R0000T-TJ

T: TRAY
R: REEL
R:RoHS
H:HALOGEN-FREE
BNC

技术要求:

1. 材质符合RoHS;
2. 内导体劈槽需与法兰任意面平行.
3. 外导体黄铜镀镍3um, 内导体铍铜镀镍2um镀金0.15um, 绝缘子PTFE;
4. 满足盐雾试验要求96H;

DIM	TOL	DIM	TOL	DEREN			
X.	±0.35	X.	±2'	SHENZHEN DEREN ELECTRONIC CO.,LTD			
.X	±0.30	.X	±1'	C-DWG:	TY	DATE	TITLE: SHV-JFD
.XX	±0.25			DRAW NO.	DESIGN: Yy_D	24/04.28	P/N:
				SCXXXXXXXX-X	CHECK:		SHEET: 1/1
				REV. 1	APPROVAL:		SCALE: N/A UNIT: mm