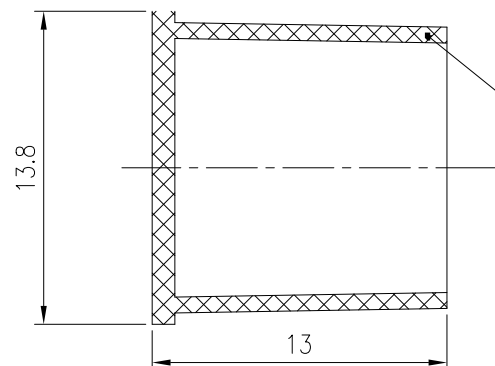
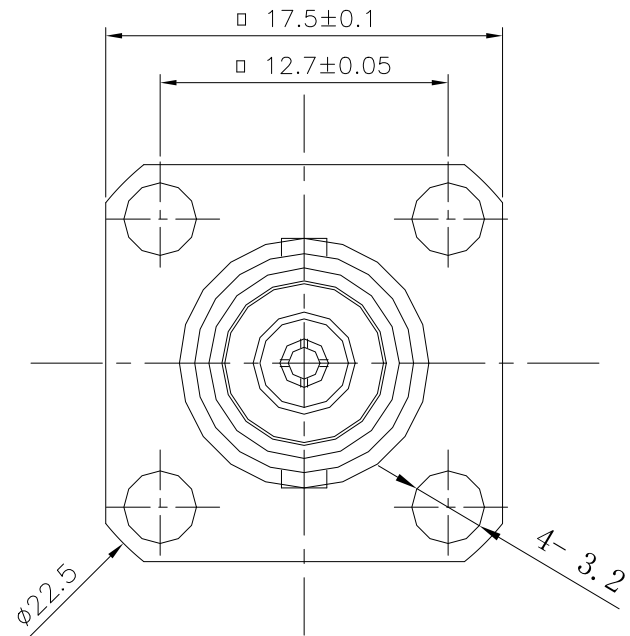
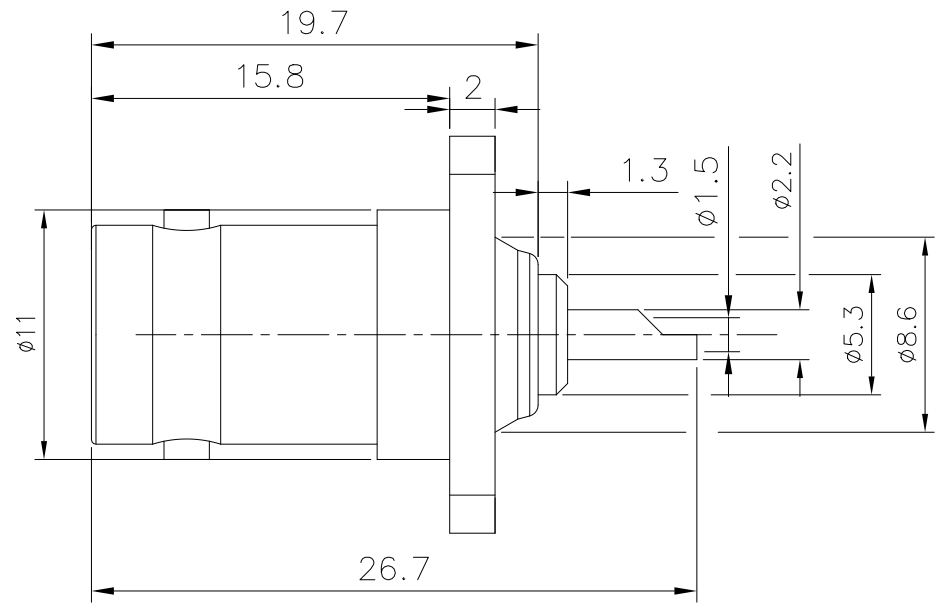


REV.	ECN NO.	LOCATION	DESCRIPTION	DATE	DESIGN
1			INITIAL RELEASE	24/04.28	



防尘帽

5702BZ-042 R O O O O T-TJ

T: TRAY
R: REEL
R:RoHS
H:HALOGEN-FREE
BNC

技术要求:

1. 材质需符合RoHS;
2. 外导体黄铜镀金0.03um, 内导体铍铜镀镍2um镀金
3. 0.15um, 绝缘子PTFE;
4. 满足盐雾试验要求96H;
5. 未注同轴度公差按Ø0.05.

DIM	TOL	DIM	TOL	DEREN SHENZHEN DEREN ELECTRONIC CO.,LTD				
X.	±0.35	X.	±2'	DRAW NO. SCXXXXXX-X	C-DWG:	TY	DATE	TITLE: BNC-KFD-7
.X	±0.30	.X	±1'		DESIGN:	Yy_D	24/04.28	P/N:
.XX	±0.25			REV.	CHECK:			SHEET: 1/1
				APPROVAL:				SCALE: N/A UNIT: mm