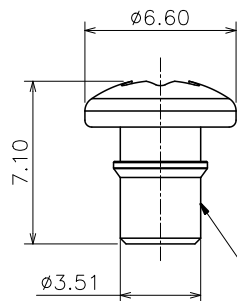
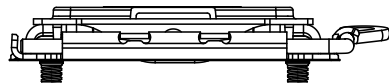
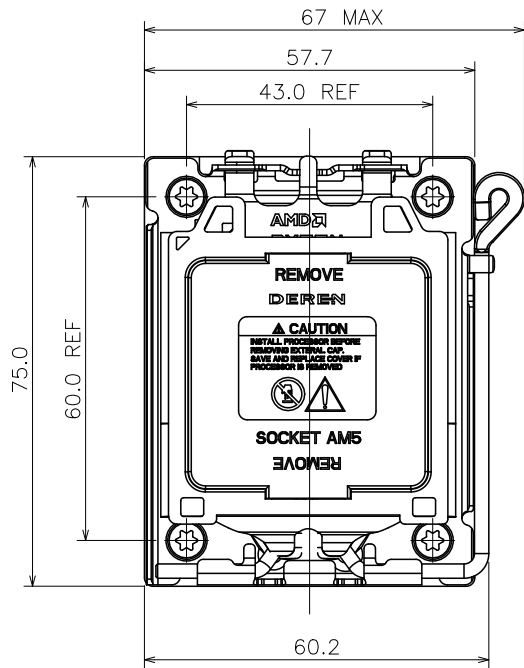


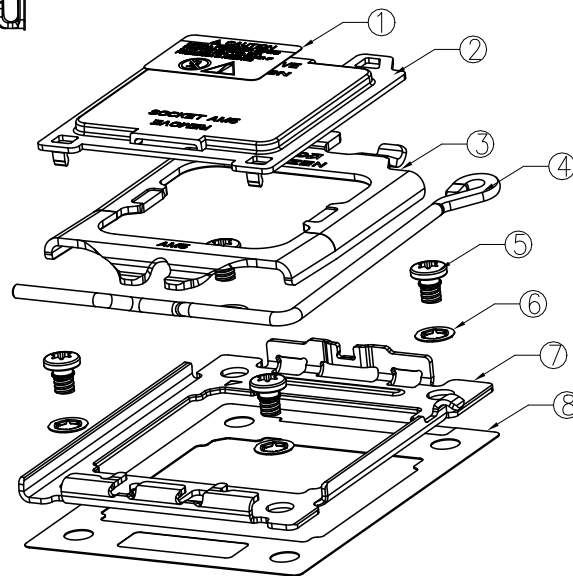
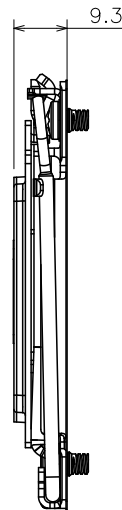
HF

Halogen Free



6-32 UNC-2A THREAD TO MATE WITH 6-32UNC NUT

SCALE 4:1



NOTES:

PRODUCT MUST MEET CONTROLLED SUBSTANCES SPEC. DEREN PER WI-PB-S-010.

1.MATERIAL

- (1)DUST COVER LABEL:LABEL PAPER
- (2)DUST COVER :PC+ABS,PANTONE 10U GRAY,UL94-V0;
- (3)LOADPLATE :STAINLESS STEEL;
- (4)LEVER :STAINLESS STEEL
- (5)FRAME SCREW :6-32 SCREW; LOW CARBON STEEL,NICKEL PLATED;
- (6)FRAME COLLAR :STAINLESS STEEL
- (7)FRAME :STAINLESS STEEL
- (8)FRAME INSULATOR:THEEMOPLASTIC,UL94 VTM-0,BLACK;

ITEM NO.	NAME DESCRIPTION	Q'TY
1	DUST COVER LABEL	1
2	DUST COVER	1
3	LOADPLATE	1
4	LEVER	1
5	FRAME SCREW(6-32)	4
6	FRAME COLLAR	4
7	FRAME	1
8	FRAME INSULATOR	1

DIM	TOL	DIM	TOL	DEREN SHENZHEN DEREN ELECTRONIC CO.,LTD			
X.	± 0.50	X.	$\pm 2'$	C-DWG:	TY	DATE	TITLE: AMS ILM(MINI BACKPLATE) ASSEMBLY
.X	± 0.30	.X	$\pm 1'$	DESIGN:	LeiCaiXin	23,12,22	P/N: 56ZZC3-005H
.XX	± 0.20			CHECK:	Kenneth	23,12,22	SHEET: 2/5
				APPROVAL:	Andy	23,12,22	SCALE: 1:1 UNIT: mm
				REV.	A		



DRAW NO. SC2309426-7

DESIGN: LeiCaiXin 23,12,22
 CHECK: Kenneth 23,12,22
 APPROVAL: Andy 23,12,22

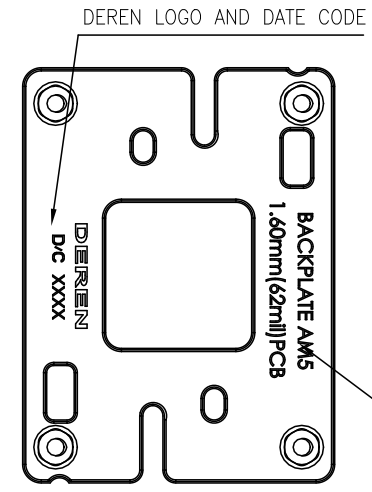
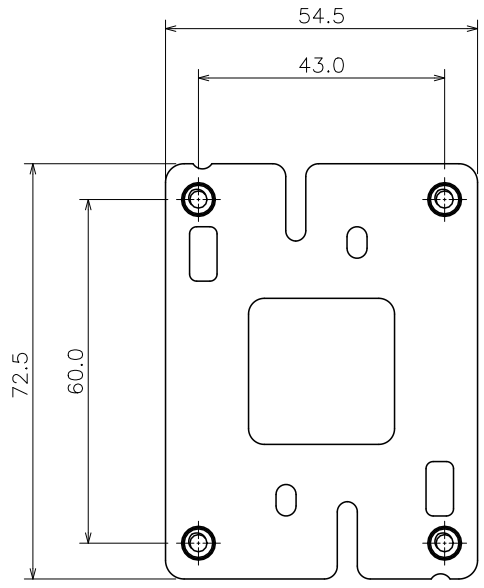
HF

Halogen Free

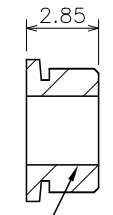
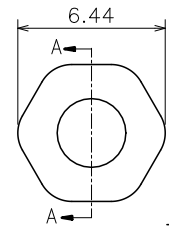
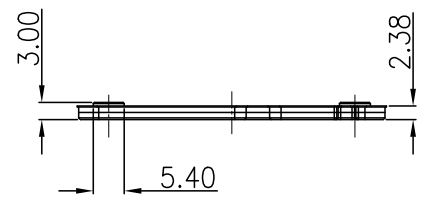
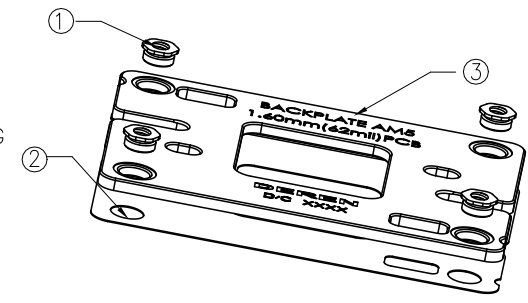
REV.	ECN NO.	LOCATION	DESCRIPTION	DATE	DESIGN
A			INITIAL RELEASE	23,12,22	LeiCaiXin

NOTES:

- 1.MATERIAL
 BACK PLATE NUT :STAINNESS STEEL,NICKEL PLATED
 FRAME NUT :STAINNESS STEEL,NICKEL PLATED
 BACK PLATE INSULATOR :THEEMOPLASTIC,UL94 VTM-0,BLACK;
 BACK PLATE :CARBON STEEL,NICKEL PLATED
- 2.HSF COMPLIANT(ROHS2.0,HF)
- 3.NORMAL FORCE:50KG MIN
- 4.TWISTING FORCE:1.13Nm MIN



AM5 IDENTIFICATION MARKING




6-32UNC THREAD TO MATE WITH 6-32UNC SCREW

SECTION A-A

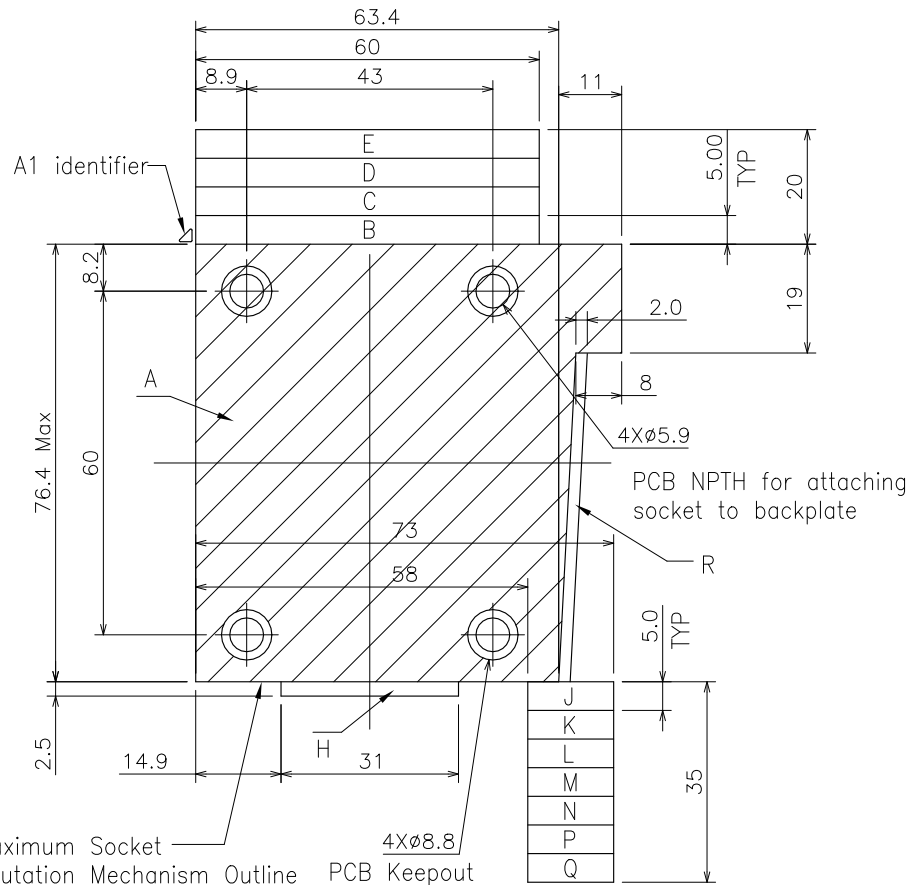
SCALE 4:1

ITEM NO.	NAME DESCRIPTION	Q'TY
1	FRAME NUT	4
2	MINI BACKPLATE INSULATOR	1
3	MINI BACKPLATE	1

DIM	TOL	DIM	TOL	 DEREN SHENZHEN DEREN ELECTRONIC CO., LTD			
X.	±0.50	X.	±2'				
.X	±0.30	.X	±1'				
.XX	±0.20						
		DRAW NO.	DESIGN:	C-DWG:	TY	DATE	TITLE: AM5 ILM(MINI BACKPLATE) ASSEMBLY
		SC2309426-7	LeiCaiXin	23,12,22			P/N: 56ZZC3-005H
		REV.	CHECK:	APPROVAL:			SHEET: 3/5
		A	Kenneth	Andy			SCALE: 1:1
							UNIT: mm

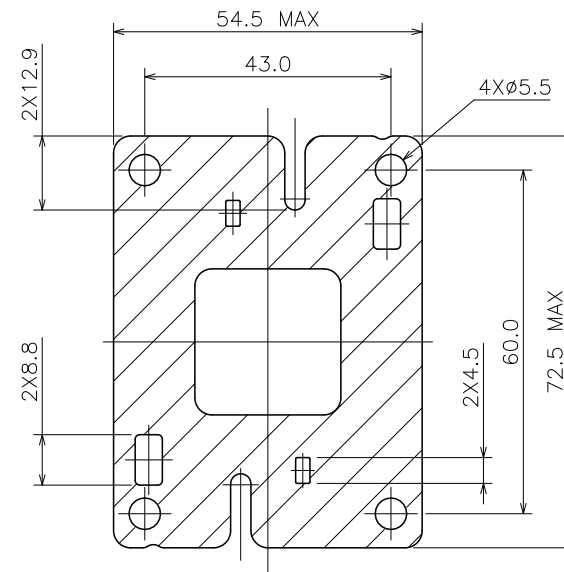
HF

Halogen Free




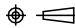
RECOMMENDED PCB OUTLINE WITH MAXIMUM ALLOWABLE COMPONENT HEIGHT

REV.	ECN NO.	LOCATION	DESCRIPTION	DATE	DESIGN
A			INITIAL RELEASE	23,12,22	LeiCaiXin



RECOMMENDED PCB BOTTOM SIDE KEEP OUT ZONE

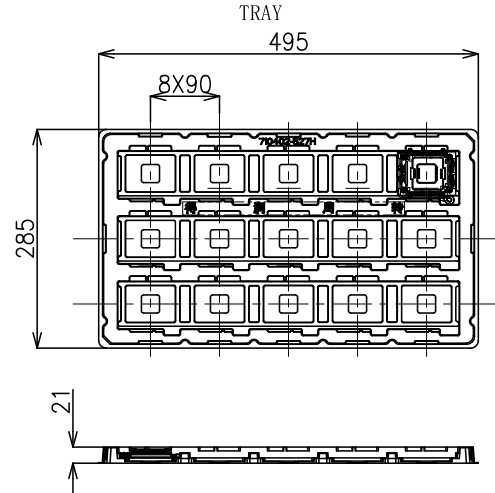
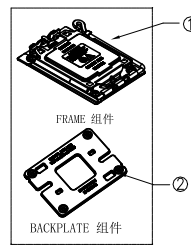
AREA	MAX.COMP.HEIGHT(mm)		
A	0.0	K	13.4
B	9.0	L	19.0
C	14.0	M	30.7
D	28.0	N	39.4
E	42.0	P	48.0
H	4.0	Q	53.0
J	4.7	R	1.0

DIM	TOL	DIM	TOL	 DEREN SHENZHEN DEREN ELECTRONIC CO., LTD	C-DWG:		TY	DATE	TITLE: AMS ILM(MINI BACKPLATE) ASSEMBLY			
X.	±0.50	X.	±2'		DRAW NO. SC2309426-7	DESIGN:	LeiCaiXin	23,12,22	P/N: 56ZZC3-005H			
.X	±0.30	.X	±1'	CHECK:		Kenneth	23,12,22	SHEET:	4/5			
.XX	±0.20			REV.	A	APPROVAL:	Andy	23,12,22	SCALE:	1:1	UNIT:	mm

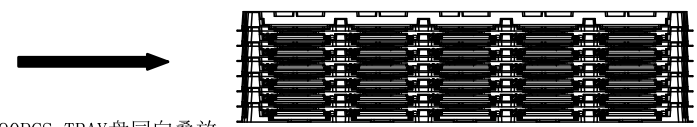
HF

Halogen Free

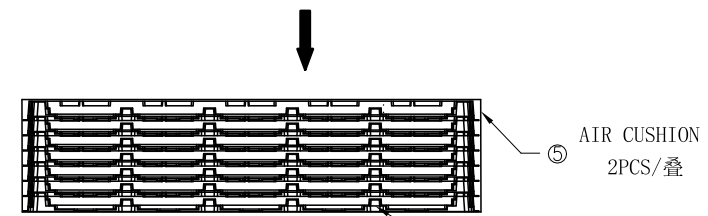
REV.	ECN NO.	LOCATION	DESCRIPTION	DATE	DESIGN
A			INITIAL RELEASE	23,12,22	LeiCaiXin



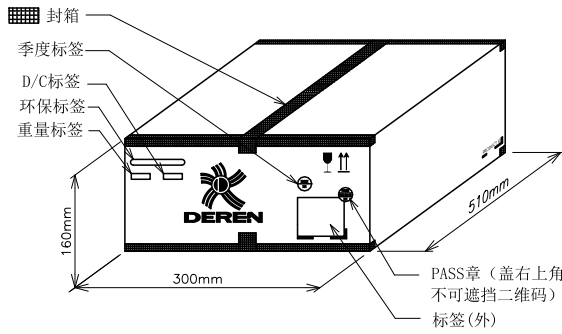
(1) 先将FRAME 组件 (10PCS/TRAY) 按照指定方向摆入TRAY盘内下层, 再将BACKPLATE 组件 (10PCS/TRAY) 按照指定方向摆入TRAY盘内上层, 注意不准漏放产品



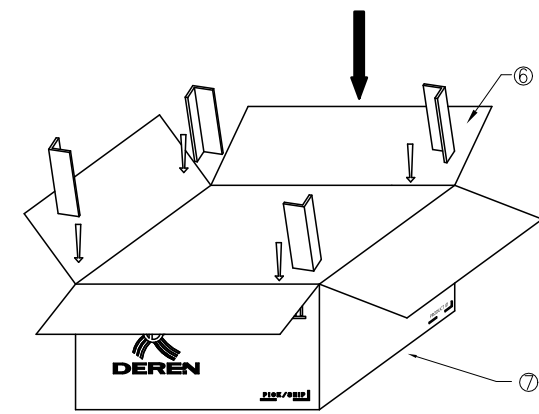
堆叠图示



(3) 用PE膜缠绕固定好一叠TRAY盘, 贴一张内标签以及环保标签, 后用气泡垫包裹TRAY盘四周, 最后用胶带缠绕固定气泡垫



(6) 外箱贴标签&封箱&盖章



PACKING LIST

ITEM NO.	NAME DESCRIPTION	Q' TY/CARTON	NOTE
7	CARTON	1PCS	
6	PAPER ANGLE	4PCS	
5	AIR CUSHION	2PCS	
3	TRAY	7PCS	
2	MINI BACKPLATE 组件	90PCS	
1	FRAME 组件	90PCS	

DIM	TOL	DIM	TOL	DEREN SHENZHEN DEREN ELECTRONIC CO., LTD			
X.	±0.50	X.	±2'	C-DWG:	TY	DATE	TITLE: AMS ILM(MINI BACKPLATE) ASSEMBLY
.X	±0.30	.X	±1'	DESIGN:	LeiCaiXin	23,12,22	P/N: 56ZZC3-005H
.XX	±0.20			CHECK:	Kenneth	23,12,22	SHEET: 5/5
				APPROVAL:	Andy	23,12,22	SCALE: 1:1 UNIT: mm



DEREN

SHENZHEN DEREN ELECTRONIC CO., LTD

DRAW NO. SC2309426-7

DESIGN: LeiCaiXin 23,12,22
CHECK: Kenneth 23,12,22
APPROVAL: Andy 23,12,22

SHEET: 5/5
SCALE: 1:1 UNIT: mm