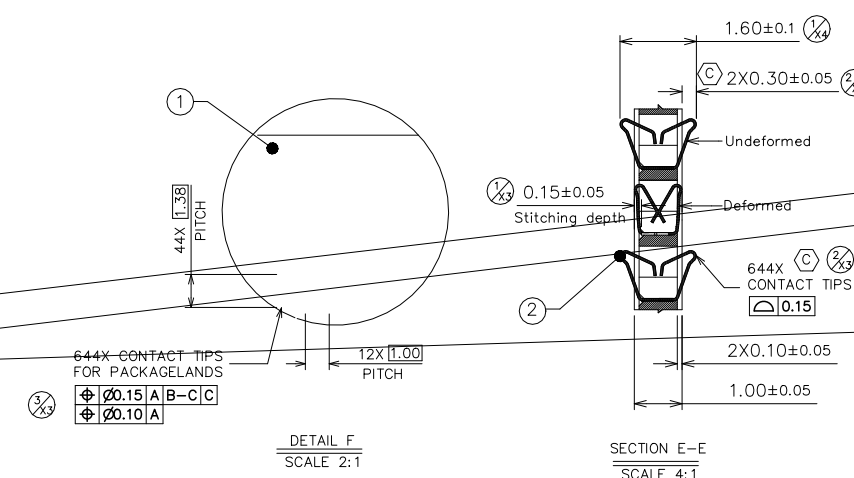
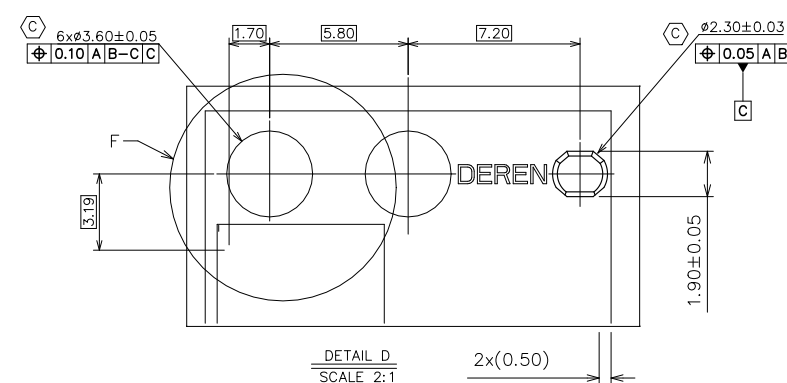
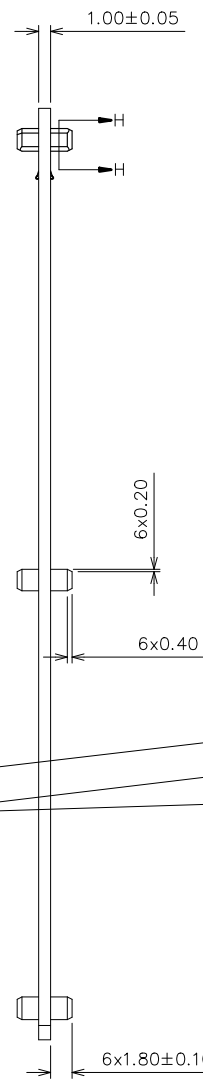
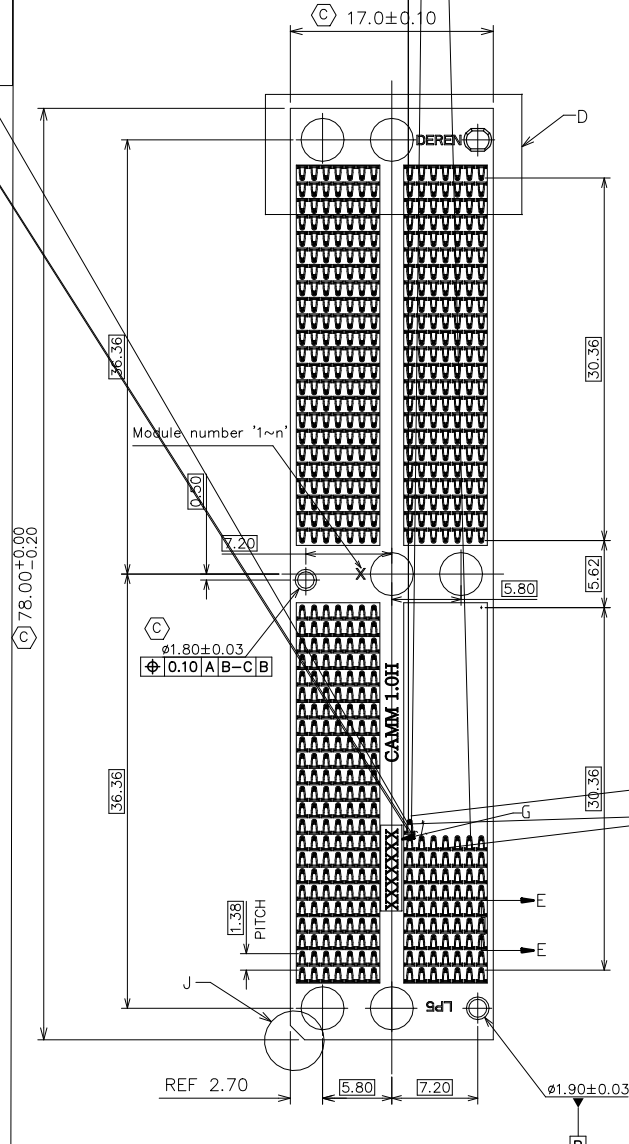


# HF

Halogen Free

REV.	ECN NO.	LOCATION	DESCRIPTION	DATE	DESIGN
X2			ADDED PRODUCT D/C CODING	17/07'2023	Robin
X3		①/③ ~ ③/③	Add ①/③ ~ ③/③ dimensions to page1 and update ②/③ dimensions	24/11'2023	Robin
X4		①/④ ~ ②/④	update ①/④ ~ ②/④ dimensions	25/04'2024	Robin



XX XX X XX  
 Group: DD(automation)/TD(rework)  
 Day: 1~7  
 Week: 01~52or53  
 Year: X0~X9

ASSEMBLY COMPONENT LIST			DIM	TOL	DIM	TOL
ITEMS	PART NAME	QT'Y	.X	±0.30	.X	±2*
1	HOUSING	1	.X	±0.25	.X	±1*
2	CONTACT	644	.XX	±0.20		

**DEREN**  
SHENZHEN DEREN ELECTRONIC CO., LTD

C-DWG:	LX	DATE	TITLE: LPD05 CAMM CONNECTOR LGA644 ASSEMBLY
DESIGN:	Robin	25,04,24	P/N: SEE TABLE A
CHECK:	Kenneth	25,04,24	SHEET: 1/2
APPROVAL:	Andy	25,04,24	SCALE: 1:1 UNIT: mm

DRAW NO. SC2309393-1  
 REV. X4

