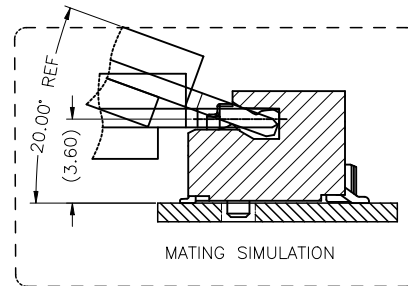
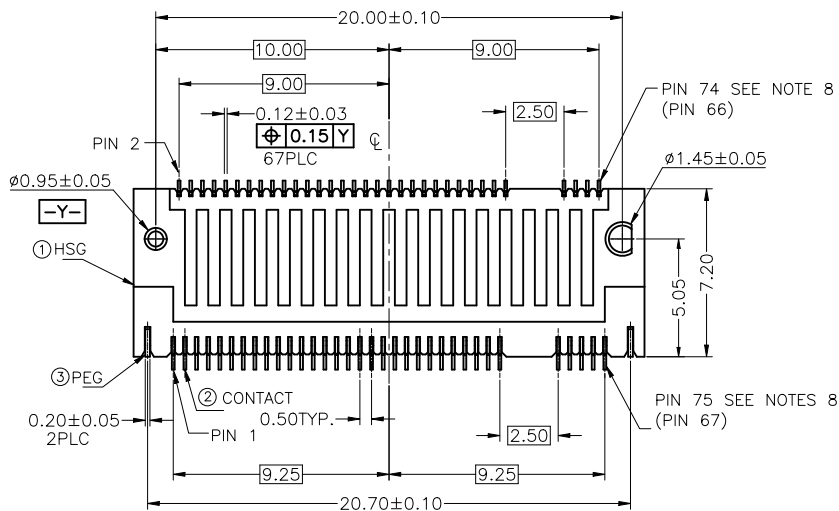
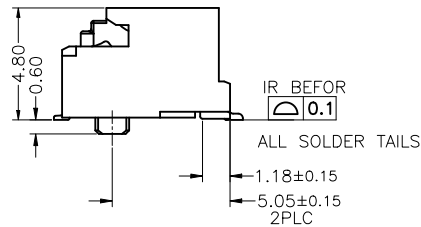
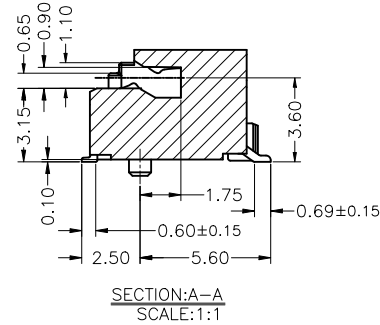
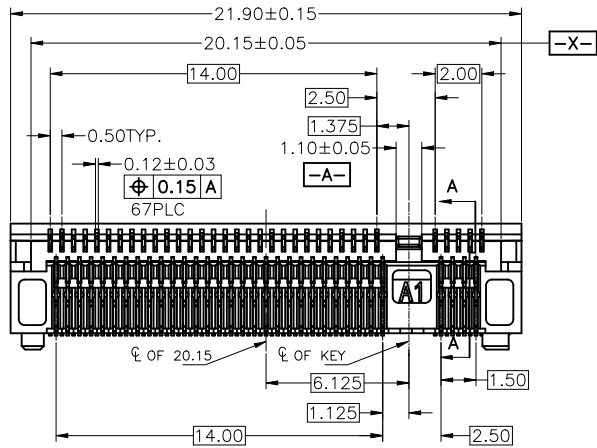
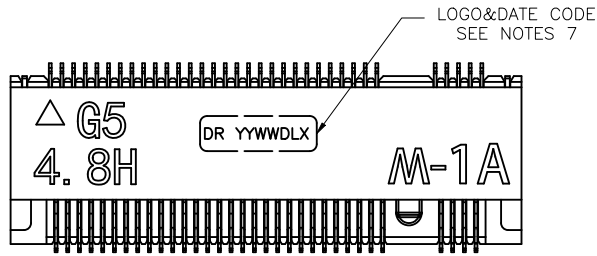


HF

Halogen Free



REV.	ECN NO.	LOCATION	DESCRIPTION	DATE	DESIGN
A	NA	NA	INITIAL RELEASE	12/27'23	Jason Huang
A1	NA	NA	UPDATE DWG	05/30'24	Jason Huang

NOTES:

PRODUCT MUST MEET CONTROLLED SUBSTANCES SPEC. ROHS 2.0

1. MATERIAL:

- 1.1 HOUSING: LCP , UL94V-0; COLOR: BLACK OR WHITE
- 1.2 CONTACTS: PHOSPHOR BRONZE
- 1.3 FLOATING PEG: STAINLESS STEEL
- 1.4 CETER PLATE: STAINLESS STEEL

2. FINISH:

2.1 CONTACT:

CONTACT: 50u" MIN NICKEL UNDERPLATED ALL OVER,
Au GF PLATING ON SOLDER TAIL. GOLD PLATING
(THICKNESS SEE NOTE 10) ON CONTACT AREA.

2.2 FLOATING PEG:

100u" MIN. MATTE-TIN. 50u" MIN. NICKEL UNDERPLATING.

3. REFLOW SOLDER CAPABLE TO 260°C 10SEC.

4. ELECTRICAL CHARACTERISTICS:

- 4.1 CONTACT CURRENT RATING: 1A PER PIN,
- 4.2 VOLTAGE RATING: 50V AC.
- 4.3 INSULATION RESISTANCE: 500M OHM MIN.(INITIAL),
100M OHM MIN.(FINAL), AT 500V DC,
FOR 1 MINUTE.
- 4.4 DIELECTRIC WITHSTANDING VOLTAGE: 300V AC RMS AT 60HZ,
FOR 1 MINUTE.
- 4.5 CONTACT RESISTANCE: 55m OHM MAX(INITIAL)
ΔR 20m OHM MAX(FINAL)

5. OPERATION TEMPERATURE: -40°C TO +80°C

6. MATING FORCE: 2.04Kgf MAX.

DURABILITY: 25 CYCLES

7. DATE CODE YYWDLX

YY: YEAR (09: 2009)

WW: WEEK (25: THE 25TH WEEK)

D: DAY (1~7: SUNDAY~SATURDAY)

L: LINE NUMBER OF ASSEMBLY (A: LINE A)

X: MANUFACTURE CODE

8. CONNECTOR ACTUAL PIN QUANTITY IS 67, AS THE KEY TAKING OUT 8 PINS.

9. RECOMMENDED STENCIL THICKNESS 0.12MM MIN

10. PART NUMBER DESCRIPTION:

5621D3-066 H - X B 0 1

PACKING CODE:

1: EMBOSS WIDTH 44mm, SLOT BACKWARD

COLOR:

0: BLACK WITH DR LOGO 1: WHITE WITH DR LOGO

2: BLACK WITHOUT DR LOGO 3: WHITE WITHOUT DR LOGO

KEY TYPE: B: KEY M

PLATING CODE:

1: GF 2: Au5u"

3: Au10u" 4: Au15u"

5: Au30u"

HALOGEN CODE: H: HALOGEN FREE



DEREN
SHENZHEN DEREN ELECTRONIC CO., LTD

DIM	TOL	DIM	TOL
x.	±0.30	x.	±2'
.x	±0.25	.x	±1'
.xx	±0.15		

DRAW NO.	DESIGN:	TY	DATE	TITLE:
SC23XXXX	Jason Huang	05/30'24	M.2 Gen5 4.8H KEY_M 1A	
REV.	CHECK:	APPROVAL:	SHEET:	SCALE:
A1	Bil Lin	Bil Lin	1/3	N/A
			UNIT:	mm

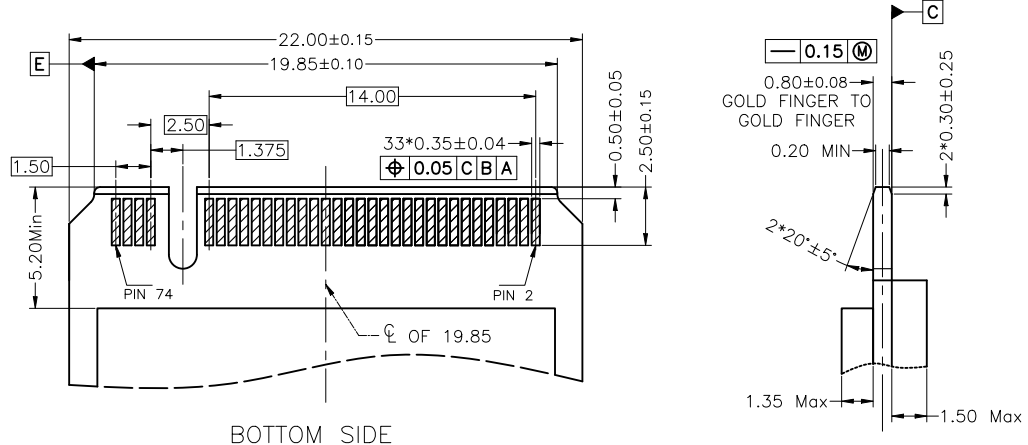
HF

Halogen Free

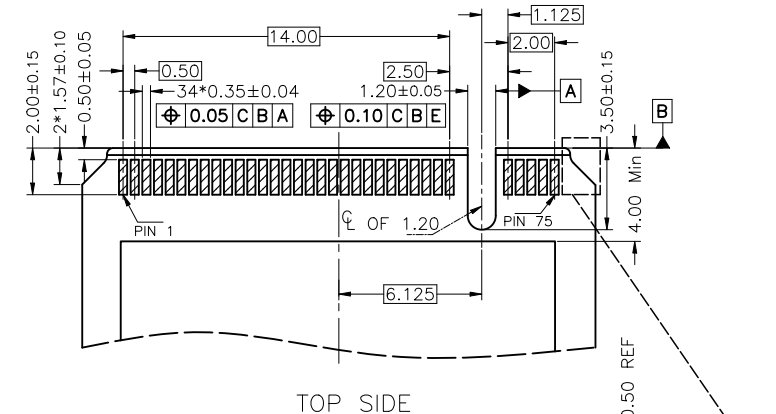


PLUG PCB

REV.	ECN NO.	LOCATION	DESCRIPTION	DATE	DESIGN
A	NA	NA	INITIAL RELEASE	12/27'23	Jason Huang
A1	NA	NA	UPDATE DWG	05/30'24	Jason Huang

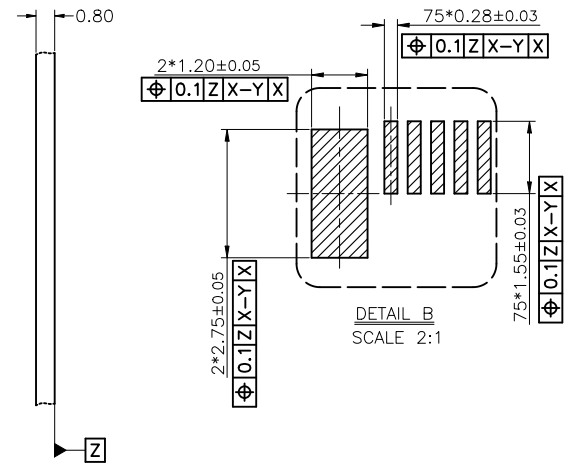
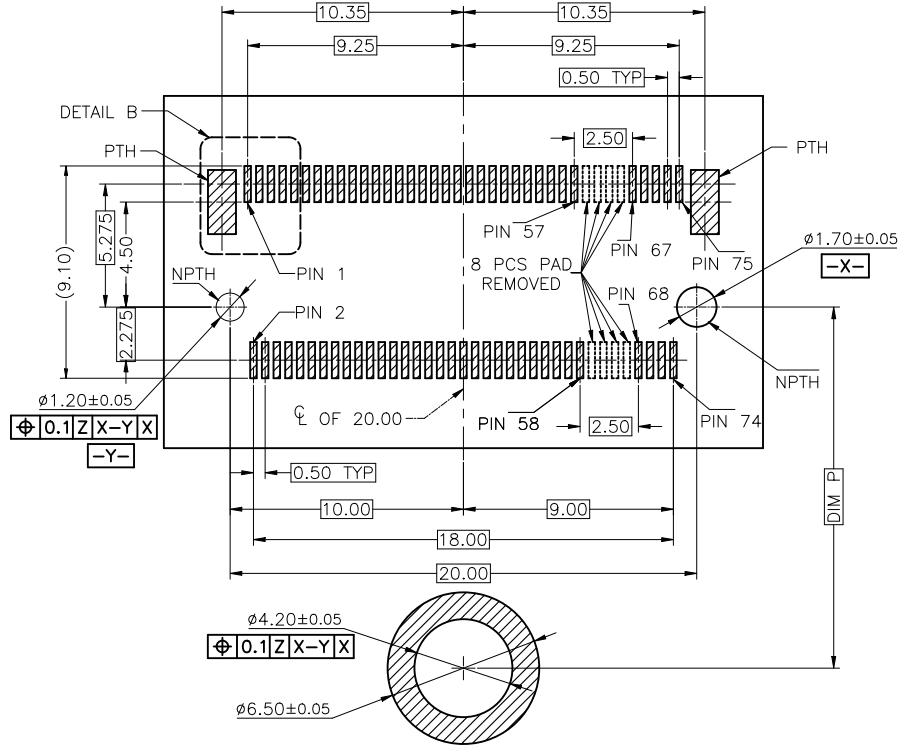


BOTTOM SIDE



TOP SIDE

RECOMMENDED PCB LAYOUT(TOP VIEW)
DEFAULT TOLERANCE ±0.05mm



22110	108.25
2280	78.25
2260	58.25
2242	40.25
2230	28.25
3042	40.25
3030	28.25
MODULE TYPE	DIM P

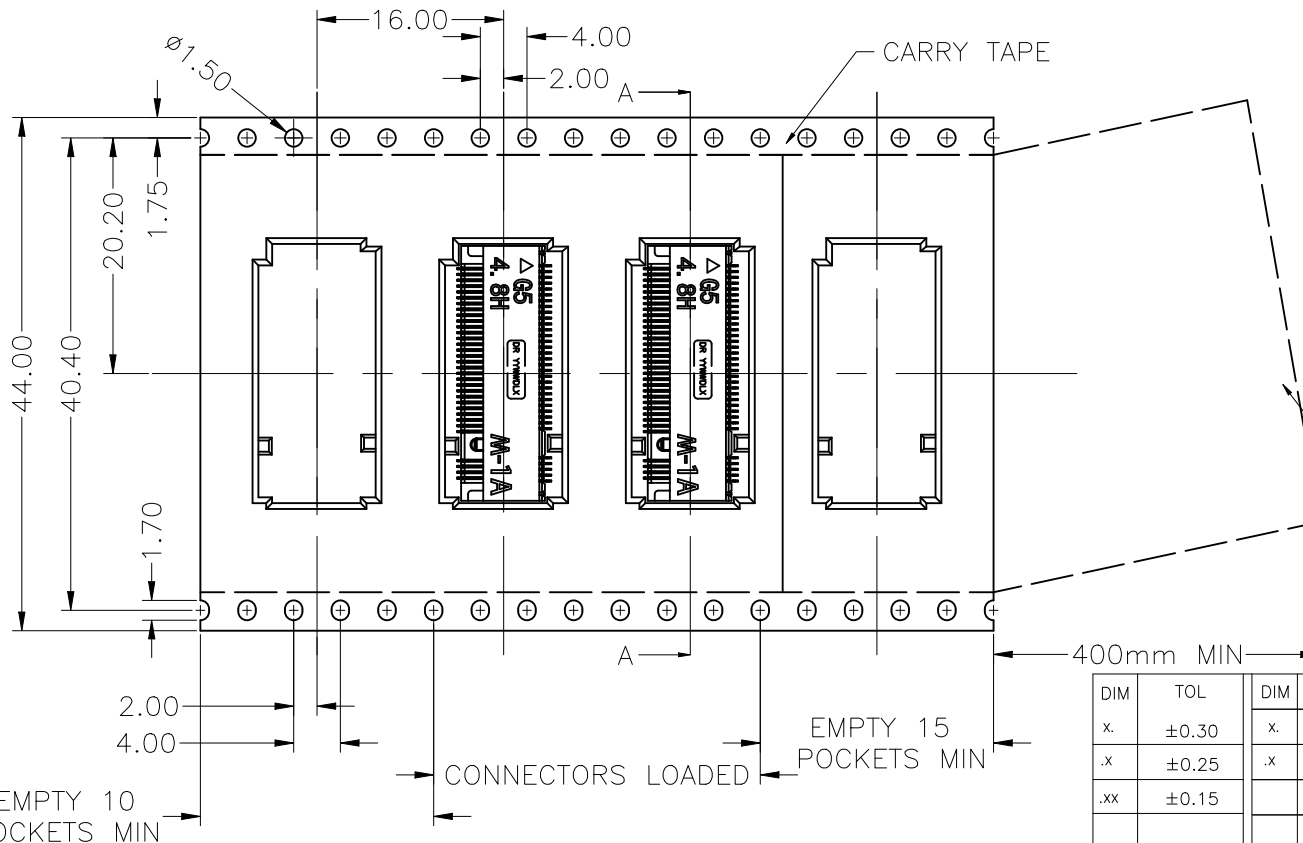
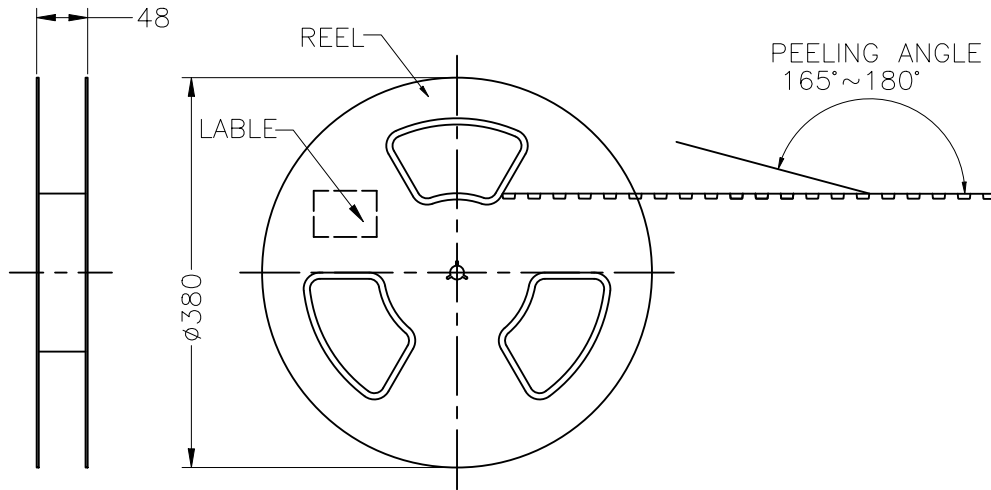
DIM	TOL	DIM	TOL	DEREN SHENZHEN DEREN ELECTRONIC CO., LTD	C-DWG	TY	DATE	TITLE: M.2 Gen5 4.8H KEY_M 1A
x.	±0.30	x.	±2'					
.x	±0.25	.x	±1'	SC23XXXX	CHECK: Bil Lin	05/30'24	SHEET: 2/3	
.xx	±0.15			REV. A1	APPROVAL: Bil Lin	05/30'24	SCALE: N/A UNIT: mm	

HF

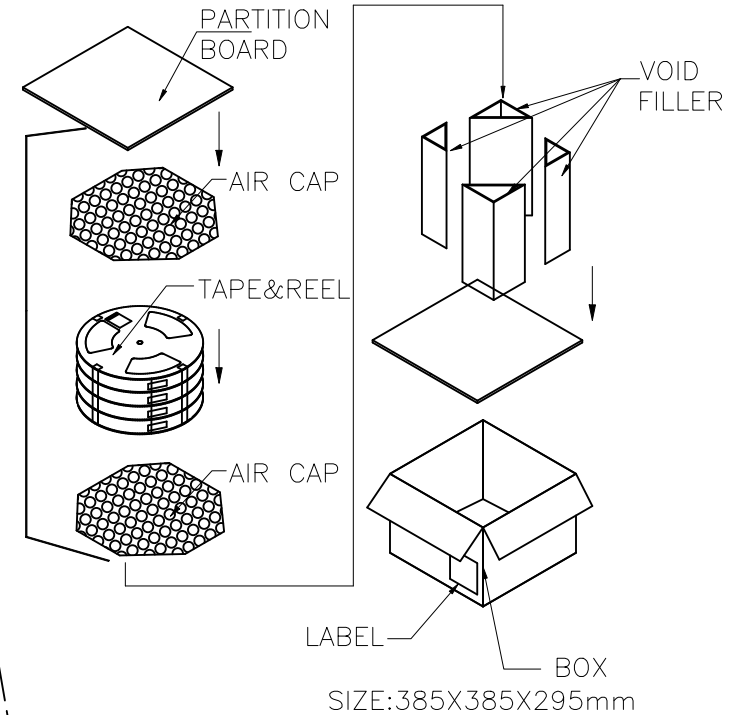
Halogen Free



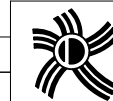
FEEDING DIRECTION →



REV.	ECN NO.	LOCATION	DESCRIPTION	DATE	DESIGN
A	NA	NA	INITIAL RELEASE	12/27'23	Jason Huang
A1	NA	NA	UPDATE DWG	05/30'24	Jason Huang



900	5	4500
PCS/ TAPE	REELS/ BOX	PCS/BOX



DEREN
SHENZHEN DEREN ELECTRONIC CO., LTD

DIM	TOL	DIM	TOL	DRAW NO. SC23XXXX	DESIGN: Jason Huang	DATE 05/30'24	TITLE: M.2 Gen5 4.8H KEY_M 1A
x.	±0.30	x.	±2'				
.x	±0.25	.x	±1'				
.xx	±0.15			REV. A1	CHECK: Bil Lin	DATE 05/30'24	SHEET: 3/3
				APPROVAL: Bil Lin	DATE 05/30'24	SCALE: N/A	UNIT: mm