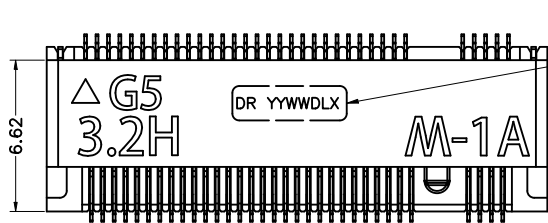


# HF

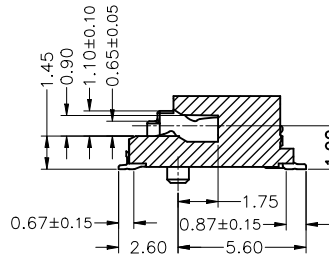
Halogen Free



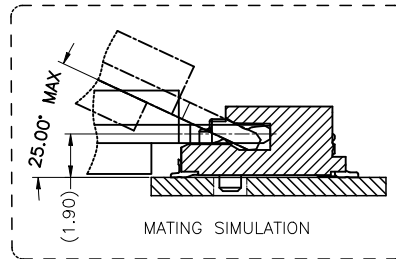
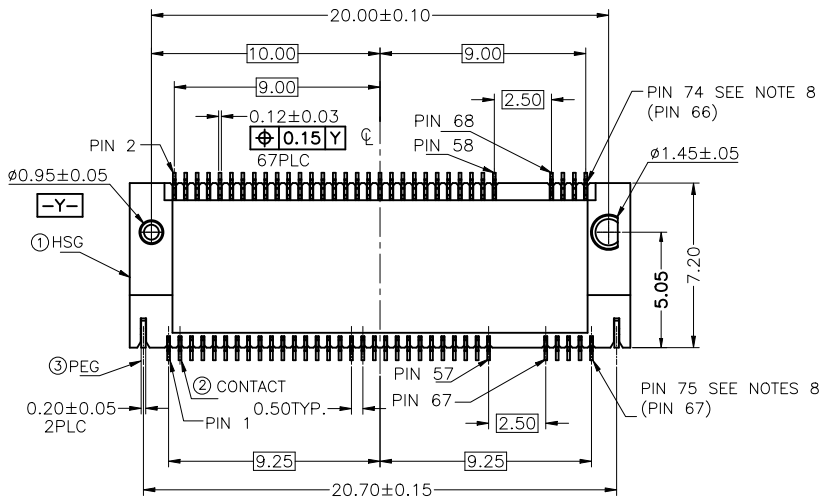
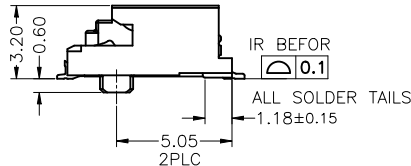
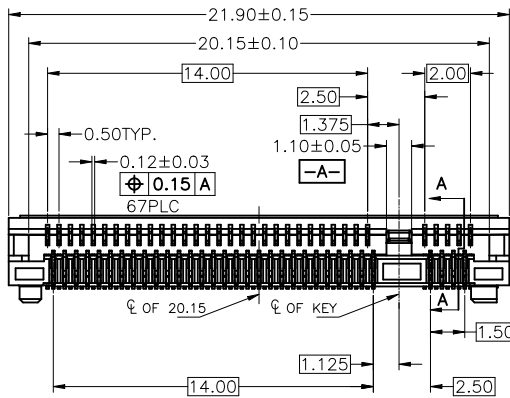
| REV. | ECN NO. | LOCATION | DESCRIPTION     | DATE     | DESIGN      |
|------|---------|----------|-----------------|----------|-------------|
| A    | NA      | NA       | INITIAL RELEASE | 11/15'23 | Jason Huang |



LOGO&DATE CODE  
SEE NOTES 7



SECTION:A-A  
SCALE:1:1



NOTES:  
MATERIAL MUST MEET DEREN CONTROLLED SUBSTANCES SPEC. ROHS 2.0

- MATERIAL:
  - HOUSING: LCP , UL94V-0; COLOR: BLACK OR WHITE
  - CONTACTS: COPPER ALLOY
  - FLOATING PEG: STAINLESS STEEL
  - CENTER PLATE: STAINLESS STEEL
- FINISH:
  - CONTACT:
    - CONTACT: 50u" MIN NICKEL UNDERPLATED ALL OVER, Au GF PLATING ON SOLDER TAIL. GOLD PLATING (THICKNESS SEE NOTE 10) ON CONTACT AREA.
  - FLOATING PEG:
    - 100u" MIN. MATTE-TIN. 50u" MIN. NICKEL UNDERPLATING.
- REFLOW SOLDER CAPABLE TO 260°C 10SEC.
- ELECTRICAL CHARACTERISTICS:
  - CONTACT CURRENT RATING: 1.0A FOR POWER CONTACT,
  - VOLTAGE RATING: 50V AC.
  - INSULATION RESISTANCE: 500M OHM MIN.(INITIAL), 100M OHM MIN.(FINAL), AT 500V DC, ΔR 20m OHM MAX(FINAL)
  - DIELECTRIC WITHSTANDING VOLTAGE: 300V AC RMS AT 60HZ, FOR 1 MINUTE.
  - CONTACT RESISTANCE: 55m OHM MAX(INITIAL) ΔR 20m OHM MAX(FINAL)
- OPERATION TEMPERATURE: -40°C TO +80°C
- MATING FORCE: 2.04Kgf MAX.  
DURABILITY: 25 CYCLES
- DATE CODE YYWDLX
  - YY: YEAR (09: 2009)
  - WW: WEEK (25: THE 25TH WEEK)
  - D: DAY (1~7: SUNDAY~SATURDAY)
  - L: LINE NUMBER OF ASSEMBLY (A: LINE A)
  - X: MANUFACTURE CODE
- CONNECTOR ACTUAL PIN QUANTITY IS 67, AS THE KEY TAKING OUT 8 PINS.
- RECOMMENDED STENCIL THICKNESS 0.12MM MIN
- PART NUMBER DESCRIPTION: 5621D3-054 H - X B 0 X

PACKING CODE:  
R: EMBOSS WIDTH 44mm, SLOT FORWARD  
1: EMBOSS WIDTH 44mm, SLOT BACKWARD  
2: EMBOSS WIDTH 32mm, SLOT FORWARD  
3: EMBOSS WIDTH 32mm, SLOT BACKWARD  
COLOR:  
0:BLACK WITH DR LOGO 1:WHITE WITH DR LOGO  
2:BLACK WITHOUT DR LOGO 3:WHITE WITHOUT DR LOGO  
KEY TYPE: B: KEY M  
PLATING CODE:  
1: GF 2: Au5u"  
3: Au10u" 4: Au15u"  
5: Au30u"  
HALOGEN CODE: H:HALOGEN FREE

| DIM | TOL   | DIM | TOL |
|-----|-------|-----|-----|
| X.  | ±0.30 | X.  | ±2' |
| .X  | ±0.25 | .X  | ±1' |
| .XX | ±0.15 |     |     |

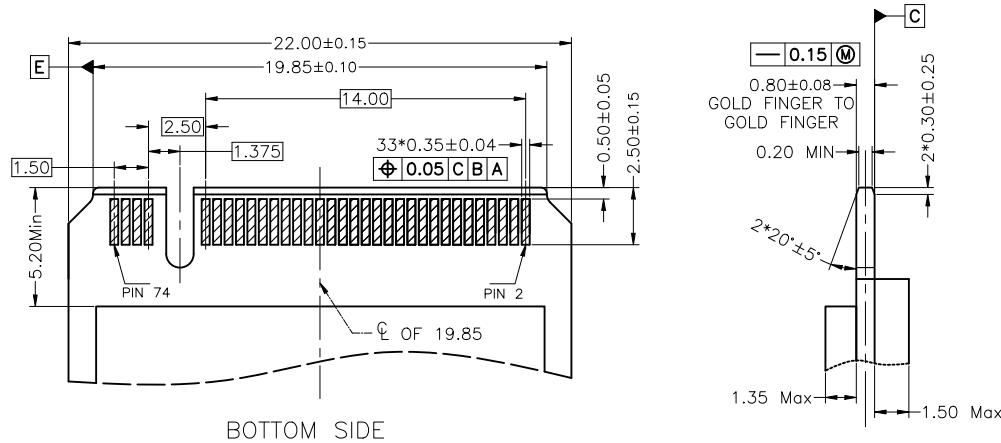
**DEREN**  
SHENZHEN DEREN ELECTRONIC CO., LTD

|                     |                   |                       |                               |
|---------------------|-------------------|-----------------------|-------------------------------|
| C-DWG               | TY                | DATE                  | TITLE: M.2 GEN5 3.2H KEY_M 1A |
| DESIGN: Jason Huang | 11/15'23          | P/N: 562DD3-054H-XBOX |                               |
| CHECK: Bil Lin      | 11/15'23          | SHEET: 1/6            |                               |
| REV. A              | APPROVAL: Bil Lin | 11/15'23              | SCALE: N/A UNIT: mm           |

**HF**  
Halogen Free

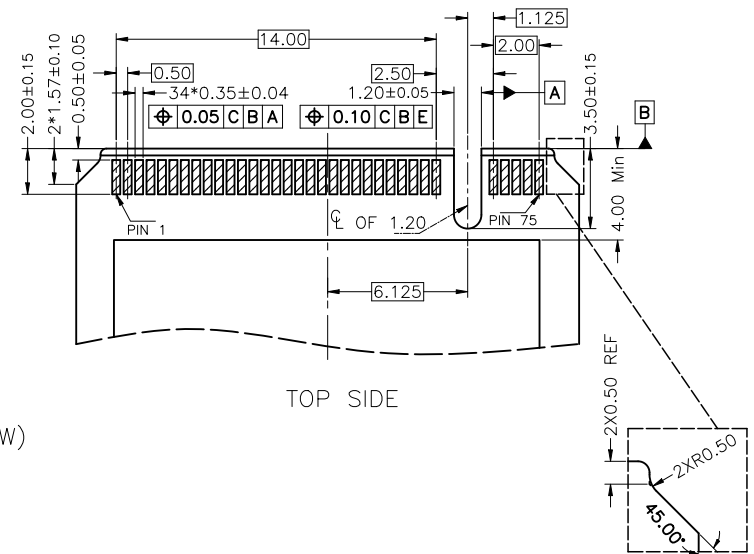


PLUG PCB



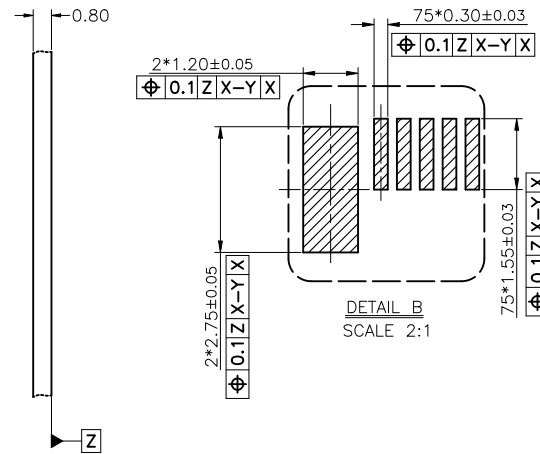
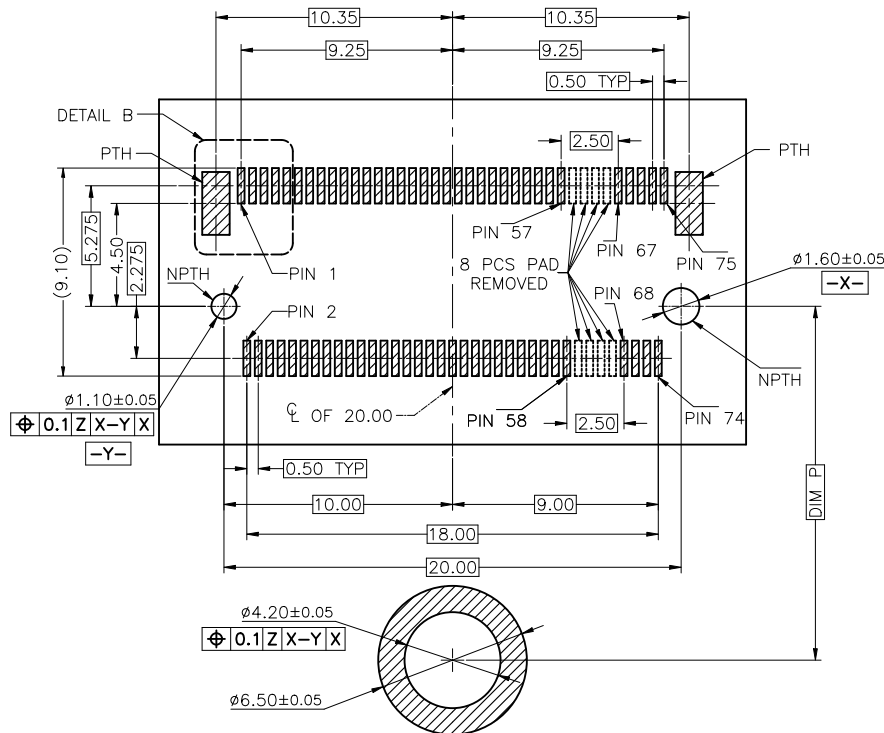
BOTTOM SIDE

| REV. | ECN NO. | LOCATION | DESCRIPTION     | DATE     | DESIGN      |
|------|---------|----------|-----------------|----------|-------------|
| A    | NA      | NA       | INITIAL RELEASE | 11/15'23 | Jason Huang |



TOP SIDE

RECOMMENDED PCB LAYOUT(TOP VIEW)  
DEFAULT TOLERANCE ±0.05mm



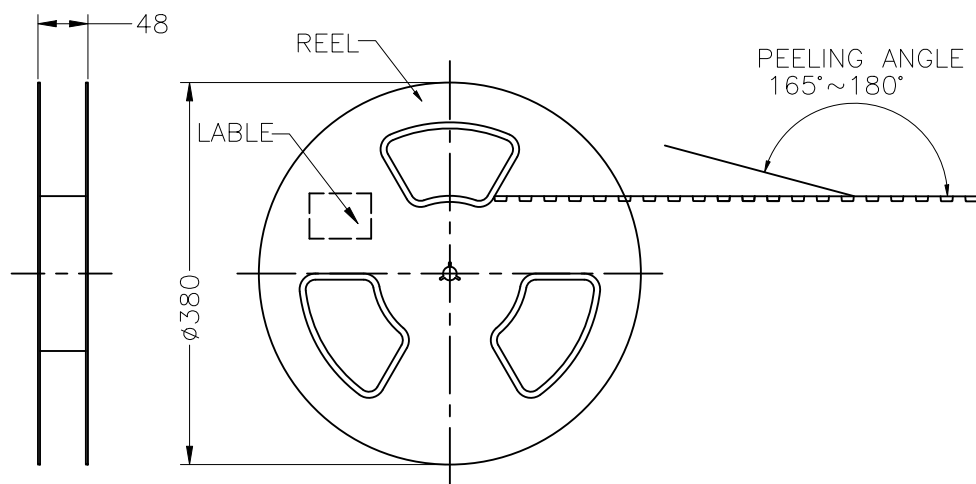
|             |        |
|-------------|--------|
| 22110       | 108.25 |
| 2280        | 78.25  |
| 2260        | 58.25  |
| 2242        | 40.25  |
| 2230        | 28.25  |
| 3042        | 40.25  |
| 3030        | 28.25  |
| MODULE TYPE | DIM P  |

| DIM | TOL   | DIM | TOL | DEREN<br>SHENZHEN DEREN ELECTRONIC CO., LTD |           |             |                                  |
|-----|-------|-----|-----|---|-----------|-------------|----------------------------------|
| X.  | ±0.30 | X.  | ±2' | C-DWG                                       | TY        | DATE        | TITLE: M.2 GEN5 3.2H<br>KEY_M 1A |
| .X  | ±0.25 | .X  | ±1' | DRAW NO.                                    | DESIGN:   | Jason Huang | 11/15'23                         |
| .XX | ±0.15 |     |     | SC2309351-4                                 | CHECK:    | Bil Lin     | 11/15'23                         |
|     |       |     |     | REV. A                                      | APPROVAL: | Bil Lin     | 11/15'23                         |
|     |       |     |     |   |           |             | P/N: 562DD3-054H-XBOX            |
|     |       |     |     |   |           |             | SHEET: 2/6                       |
|     |       |     |     |   |           |             | SCALE: N/A UNIT: mm              |

**HF**  
Halogen Free

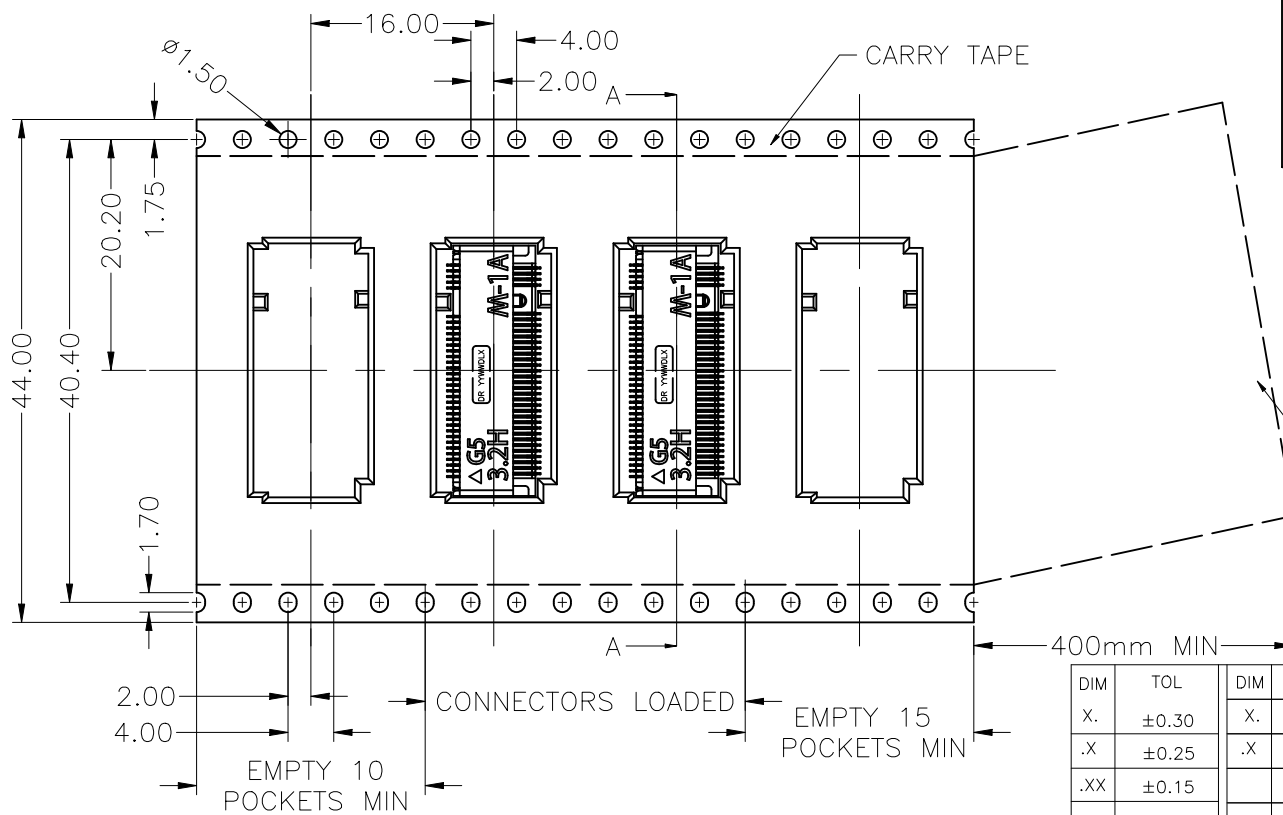
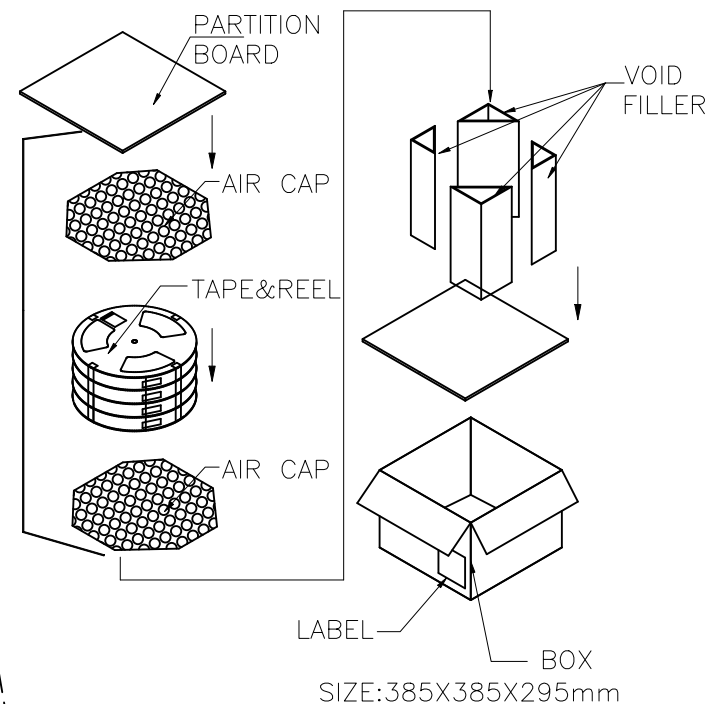


FEEDING DIRECTION →



| REV. | ECN NO. | LOCATION | DESCRIPTION     | DATE     | DESIGN      |
|------|---------|----------|-----------------|----------|-------------|
| A    | NA      | NA       | INITIAL RELEASE | 11/15'23 | Jason Huang |

5621D3-054H-XBOR  
R: EMBOSS WIDTH 44mm, SLOT FORWARD



|              |               |         |
|--------------|---------------|---------|
| 1400         | 5             | 7000    |
| PCS/<br>TAPE | REELS/<br>BOX | PCS/BOX |

**DEREN**  
SHENZHEN DEREN ELECTRONIC CO., LTD

|                     |                   |                       |                               |
|---------------------|-------------------|-----------------------|-------------------------------|
| C-DWG               | TY                | DATE                  | TITLE: M.2 GEN5 3.2H KEY_M 1A |
| DESIGN: Jason Huang | 11/15'23          | P/N: 562DD3-054H-XBOX |                               |
| CHECK: Bil Lin      | 11/15'23          | SHEET: 3/6            |                               |
| REVISION: A         | APPROVAL: Bil Lin | 11/15'23              | SCALE: N/A UNIT: mm           |

| DIM | TOL   | DIM | TOL |
|-----|-------|-----|-----|
| .X  | ±0.30 | .X  | ±2' |
| .X  | ±0.25 | .X  | ±1' |
| .XX | ±0.15 |     |     |



DRAW NO. SC2309351-4

DESIGN: Jason Huang  
CHECK: Bil Lin  
APPROVAL: Bil Lin

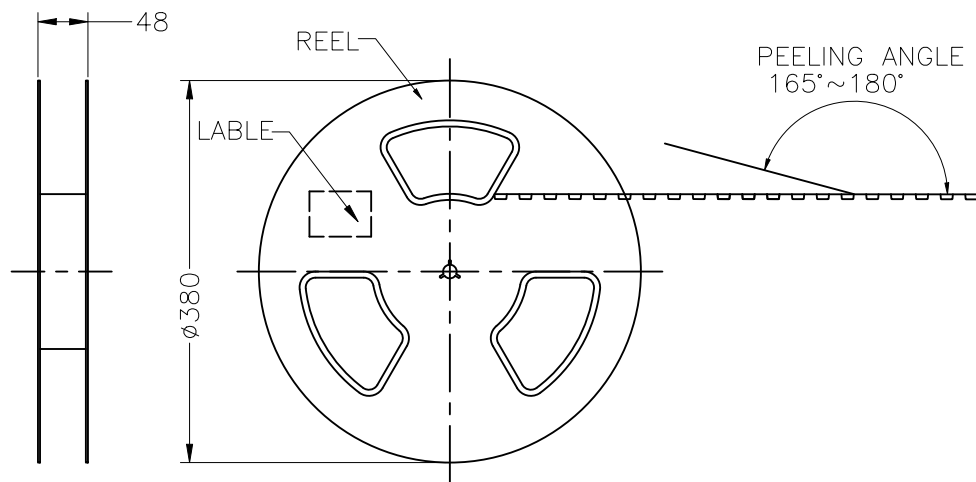
DATE: 11/15'23  
DATE: 11/15'23  
DATE: 11/15'23

SHEET: 3/6  
SCALE: N/A UNIT: mm

**HF**  
Halogen Free

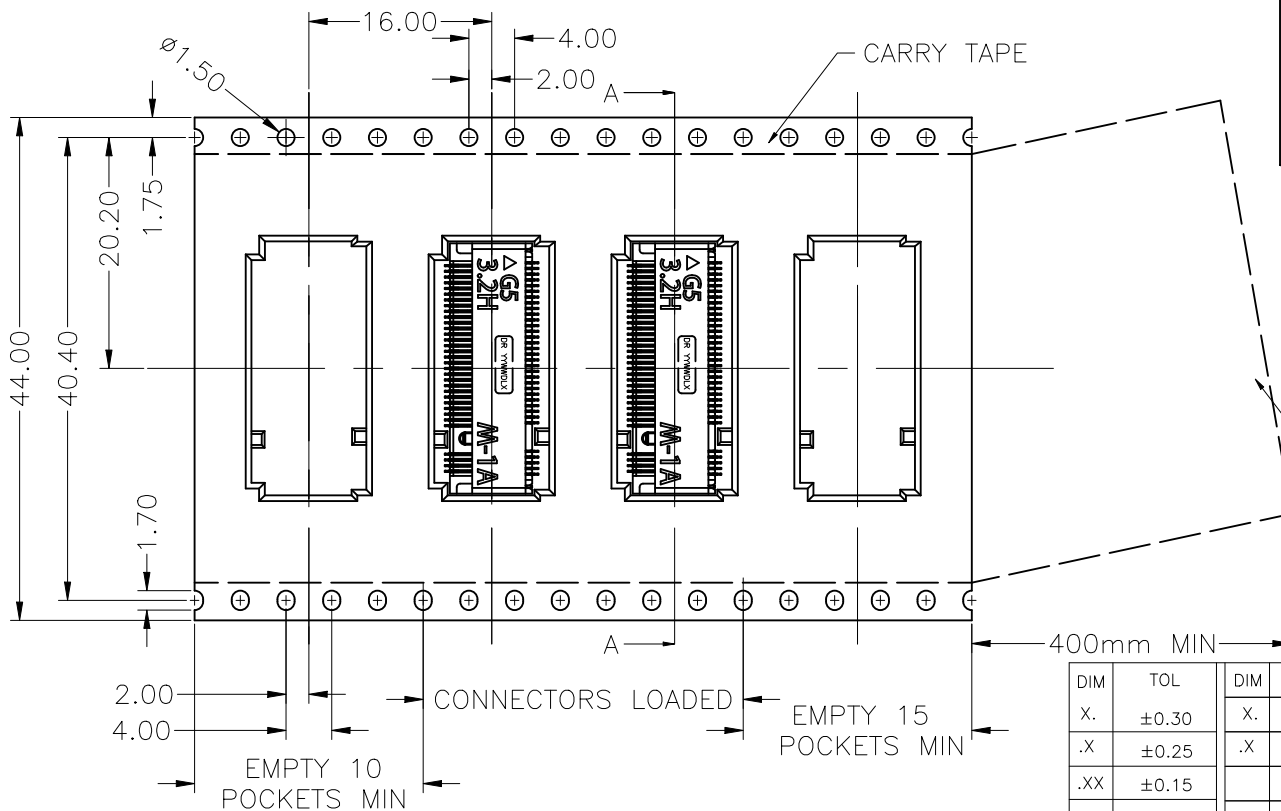
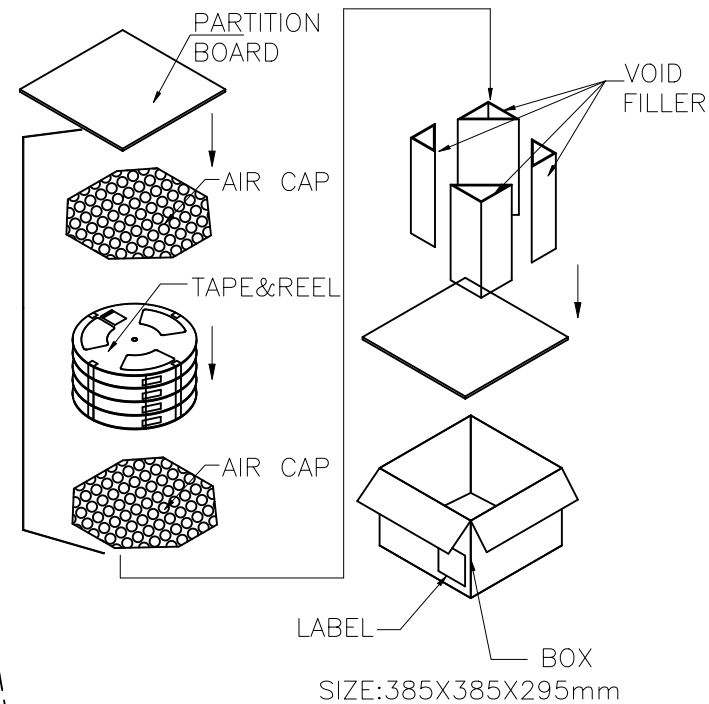


FEEDING DIRECTION →



| REV. | ECN NO. | LOCATION | DESCRIPTION     | DATE     | DESIGN      |
|------|---------|----------|-----------------|----------|-------------|
| A    | NA      | NA       | INITIAL RELEASE | 11/15'23 | Jason Huang |

5621D3-054H-XB01  
1: EMBOSS WIDTH 44mm, SLOT BACKWARD



|              |               |         |
|--------------|---------------|---------|
| 1400         | 5             | 7000    |
| PCS/<br>TAPE | REELS/<br>BOX | PCS/BOX |

**DEREN**  
SHENZHEN DEREN ELECTRONIC CO., LTD

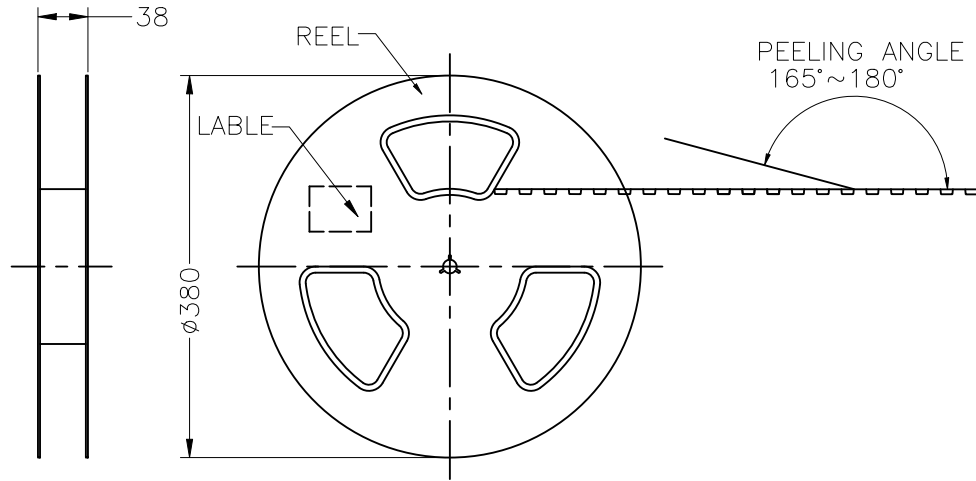
| C-DWG       | TY          | DATE     | TITLE                  |
|-------------|-------------|----------|------------------------|
| SC2309351-4 | Jason Huang | 11/15'23 | M:2 GEN5 3.2H KEY_M 1A |
| DESIGN:     | Bil Lin     | 11/15'23 | P/N: 562DD3-054H-XBOX  |
| CHECK:      | Bil Lin     | 11/15'23 | SHEET: 4/6             |
| APPROVAL:   | Bil Lin     | 11/15'23 | SCALE: N/A UNIT: mm    |

| DIM | TOL   | DIM | TOL |
|-----|-------|-----|-----|
| X.  | ±0.30 | X.  | ±2' |
| .X  | ±0.25 | .X  | ±1' |
| .XX | ±0.15 |     |     |

**HF**  
Halogen Free

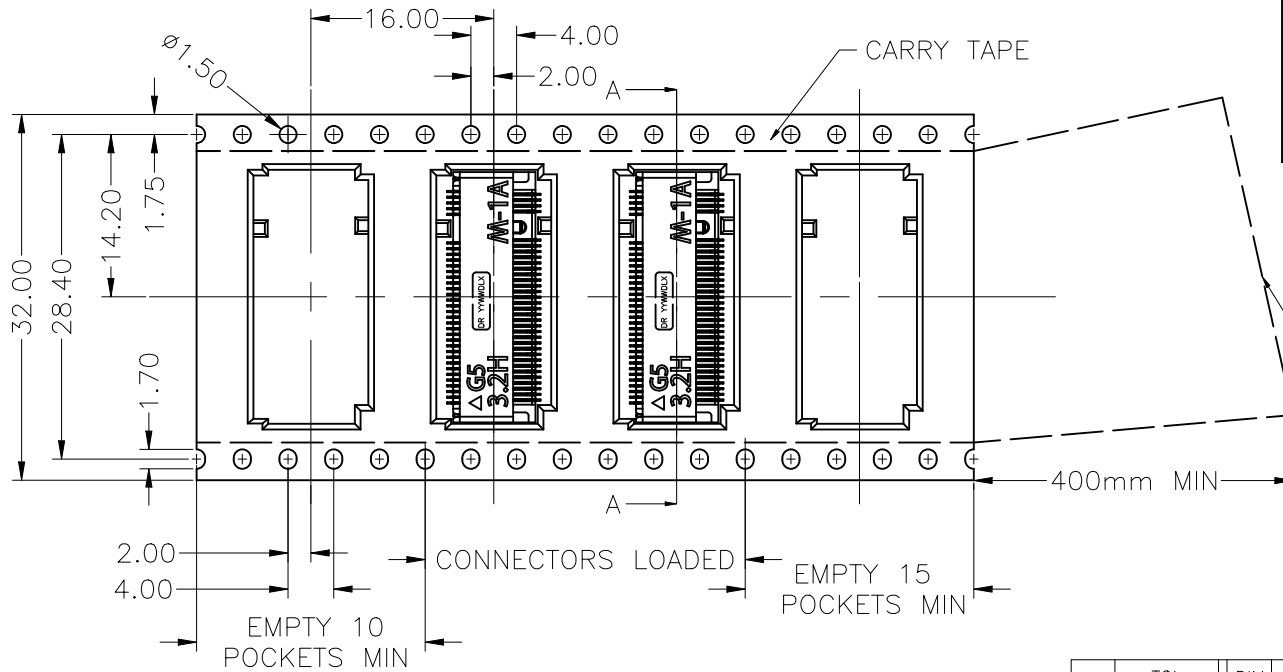
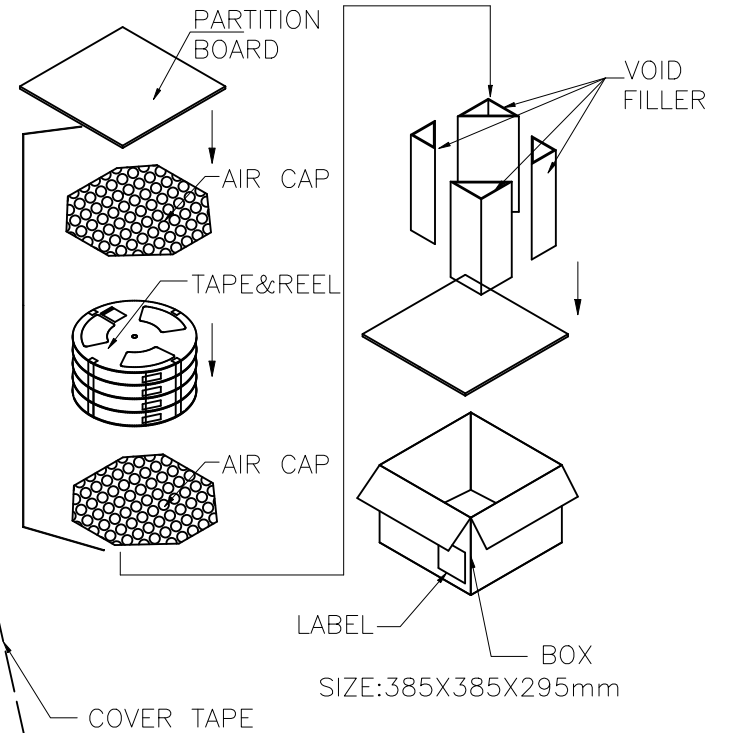


FEEDING DIRECTION →

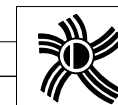


| REV. | ECN NO. | LOCATION | DESCRIPTION     | DATE     | DESIGN      |
|------|---------|----------|-----------------|----------|-------------|
| A    | NA      | NA       | INITIAL RELEASE | 11/15'23 | Jason Huang |

5621D3-054H-XB02  
2: EMBOSS WIDTH 32mm, SLOT FORWARD



|              |               |         |
|--------------|---------------|---------|
| 1400         | 6             | 8400    |
| PCS/<br>TAPE | REELS/<br>BOX | PCS/BOX |



**DEREN**  
SHENZHEN DEREN ELECTRONIC CO., LTD

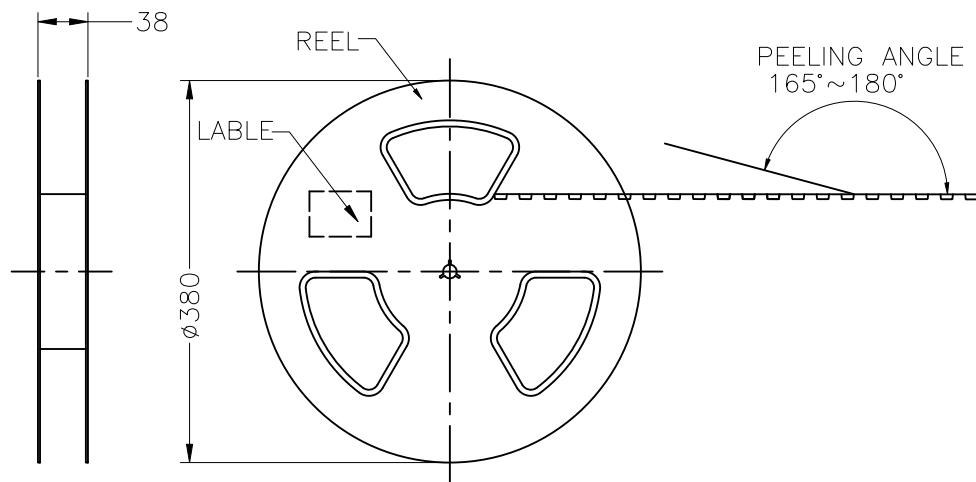
| DIM | TOL   | DIM | TOL |
|-----|-------|-----|-----|
| .X  | ±0.30 | .X  | ±2' |
| .X  | ±0.25 | .X  | ±1' |
| .XX | ±0.15 |     |     |

|             |             |          |                           |        |
|-------------|-------------|----------|---------------------------|--------|
| DRAW NO.    | DESIGN:     | TY       | DATE                      | TITLE: |
| SC2309351-4 | Jason Huang | 11/15'23 | M.2 GEN5 3.2H<br>KEY_M 1A |        |
| REV.        | CHECK:      | DATE     | SHEET:                    |        |
| A           | Bil Lin     | 11/15'23 | 5/6                       |        |
| APPROVAL:   | SCALE:      | UNIT:    |                           |        |
| Bil Lin     | N/A         | mm       |                           |        |

**HF**  
Halogen Free

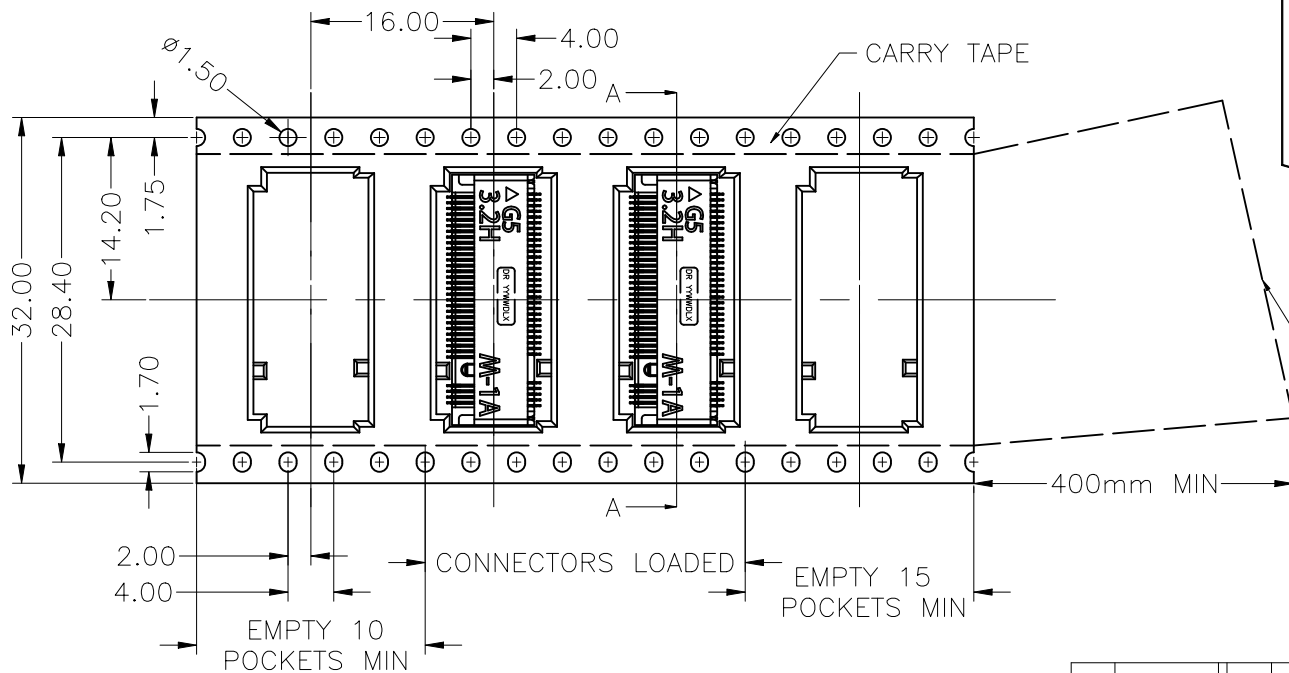
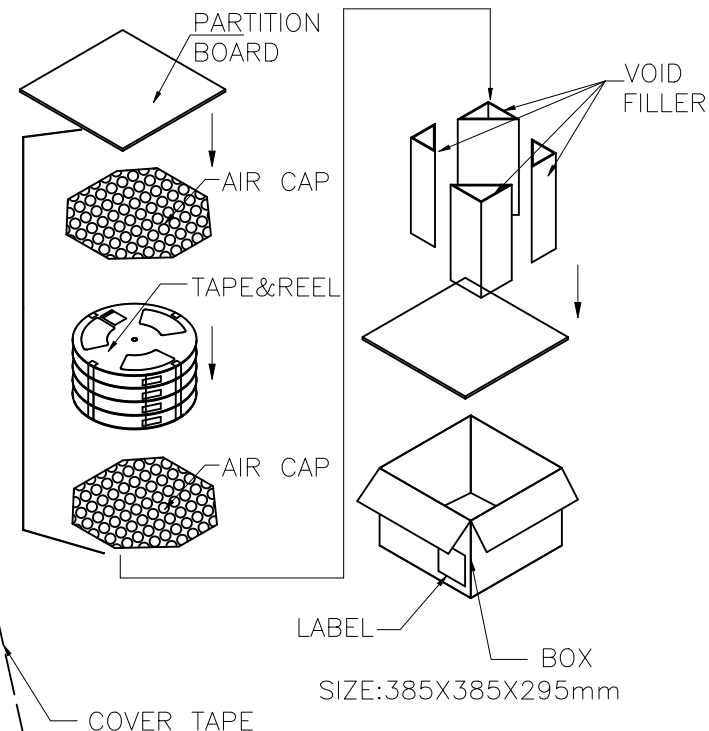


FEEDING DIRECTION →



| REV. | ECN NO. | LOCATION | DESCRIPTION     | DATE     | DESIGN      |
|------|---------|----------|-----------------|----------|-------------|
| A    | NA      | NA       | INITIAL RELEASE | 11/15'23 | Jason Huang |

5621D3-054H-XB03  
3: EMBOSS WIDTH 32mm, SLOT BACKWARD



|              |               |         |
|--------------|---------------|---------|
| 1400         | 6             | 8400    |
| PCS/<br>TAPE | REELS/<br>BOX | PCS/BOX |

| DIM | TOL   | DIM | TOL |
|-----|-------|-----|-----|
| .X  | ±0.30 | .X  | ±2' |
| .X  | ±0.25 | .X  | ±1' |
| .XX | ±0.15 |     |     |



**DEREN**  
SHENZHEN DEREN ELECTRONIC CO., LTD

| C-DWG       | TY          | DATE     | TITLE                     |
|-------------|-------------|----------|---------------------------|
| SC2309351-4 | Jason Huang | 11/15'23 | M:2 GEN5 3.2H<br>KEY_M 1A |
| DESIGN:     | Bil Lin     | 11/15'23 | P/N: 562DD3-054H-XBOX     |
| CHECK:      | Bil Lin     | 11/15'23 | SHEET: 6/6                |
| APPROVAL:   | Bil Lin     | 11/15'23 | SCALE: N/A UNIT: mm       |