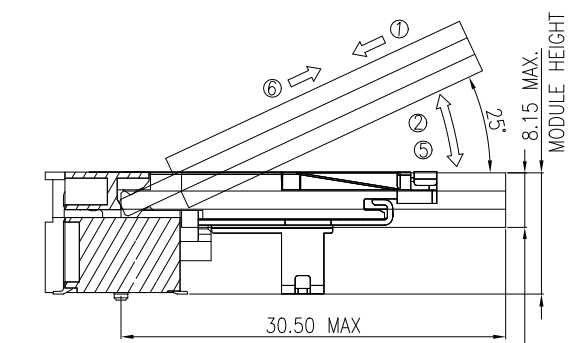
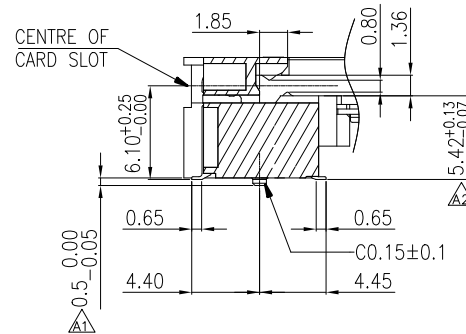
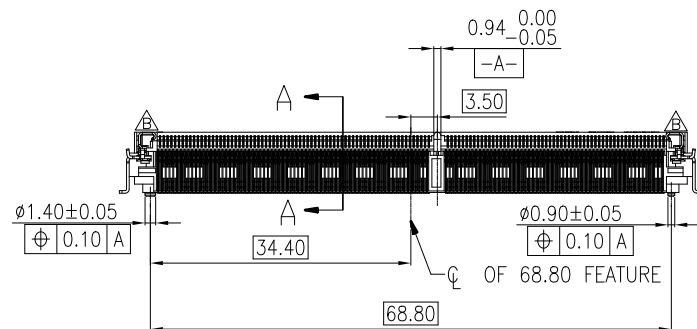
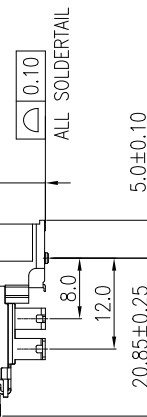
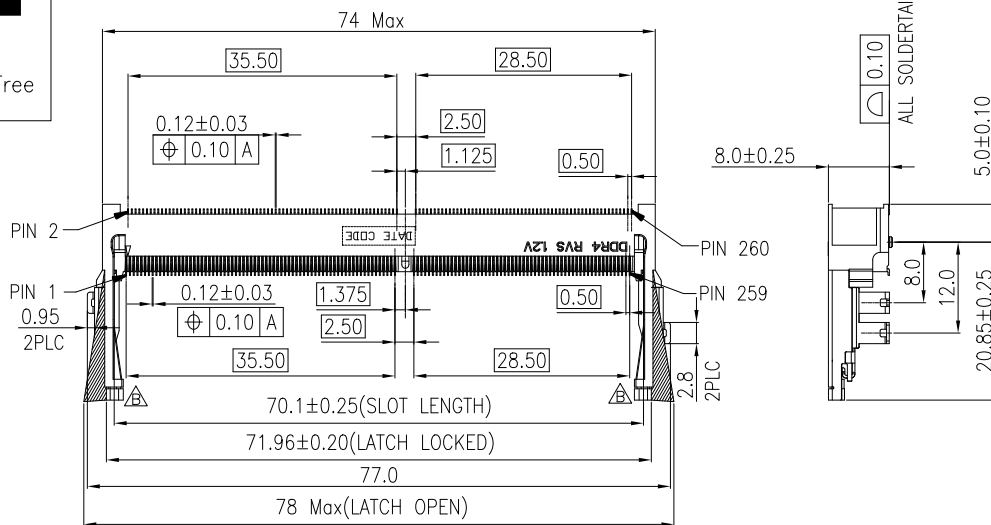


HF

Halogen Free



MATING: ① INSERTING(30°) → ② ROTATING → ③ FIXED
 UNMATING: ④ UNFIXED → ⑤ ROTATING → ⑥ WITHDRAWING

TABLE 2

30u" Au	40-42275-26005RHF	.x	±0.35	x.	±3'
15u" Au	40-42275-26004RHF	.xx	±0.25	.x'	±2'
10u" Au	40-42275-26003RHF	.xxx	±0.15	.xx'	±1'
5u" Au	40-42275-26002RHF				
GF	40-42275-26001RHF				
PLATING THICKNESS	DEREN P/N				

DIM	TOL	DIM	TOL



DEREN SHENZHEN DEREN ELECTRONIC CO., LTD			
C-DWG	TY	DATE	TITLE: DDR4 SO DIMM 260P 8.0H RVS C-DWG
DESIGN:	Liushifeng	10/27'16	P/N: SEE TABLE 2
CHECK:	Bill.lin	10/27'16	SHEET: 1/3
APPROVAL:	Bill.lin	10/27'16	SCALE: 1:1 UNIT: mm

NOTES:

1.MATERIAL:

- 1.1 HOUSING:LCP,UL94V-0,COLOR:BLACK.
- 1.2 CONTACT:PHOSPHOR BRONZE.
- 1.3 SOLDER PEG AND LATCH:STAINLESS STEEL.

2. FINISH:

- 2.1 CONTACT: 50u" MIN NICKEL UNDERPLATED ALL OVER.
GOLD FALSH PLATING ON SOLDERTAIL.
GOLD PLATING (THICKNESS SEE TABLE) ON CONTACT AREA.
- 2.2 SOLDER PEG:
50u" MIN NICKEL UNDERPLATED ALL OVER.
AU 2u" MAX ON SOLDERTAIL.

3. DATE CODE : YYWWDX

- YY: YEAR (09: 2009)
- WW: WEEK (25: THE 25TH WEEK)
- D: DAY (1~7: SUNDAY~SATURDAY)
- L: LINE NUMBER OF ASSEMBLY (A: LINE A)
- X: D OR N (D: DAY; N: NIGHT)

4. PART NUMBER DESCRIPTION:

40-42275-2600XRHF

HALOGEN CODE:

HF:HALOGEN FREE

R: TAPE & REEL PACKING

PLATING CODE:

1: GF 2: Au5u" 3: Au10u"

4: Au15u" 5: Au30u"

RESERVED

PIN NUMBER CODE: 260 PINS

DRAW NO. SC2107745-5

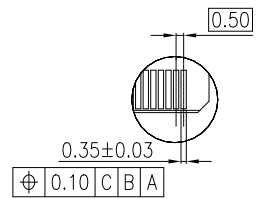
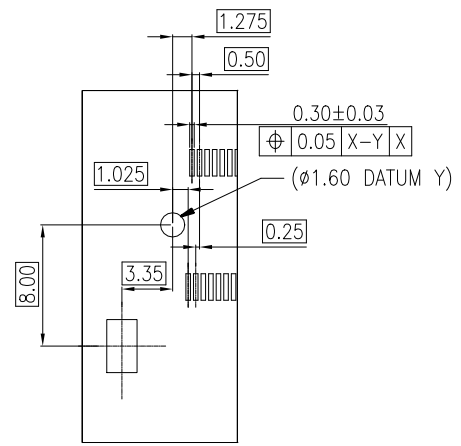
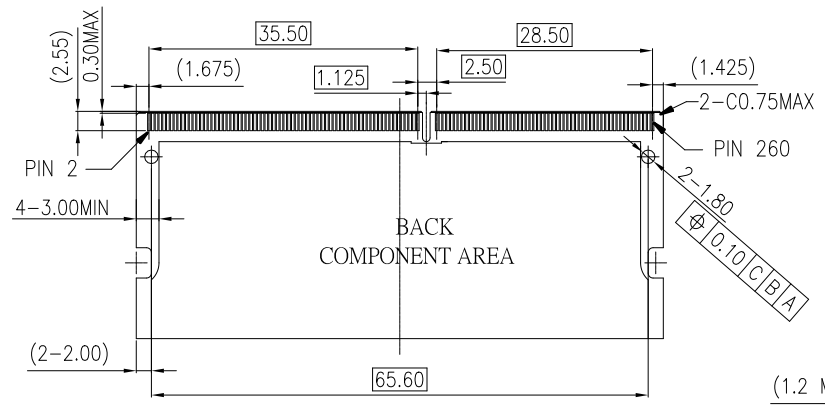
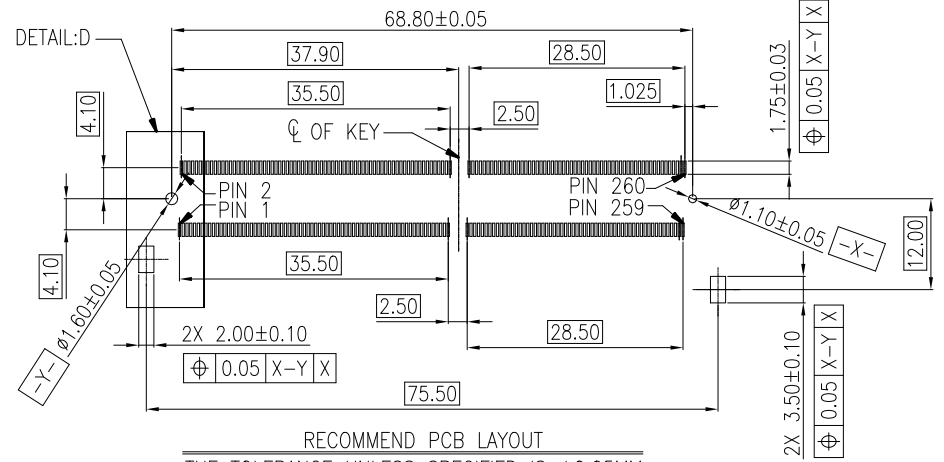
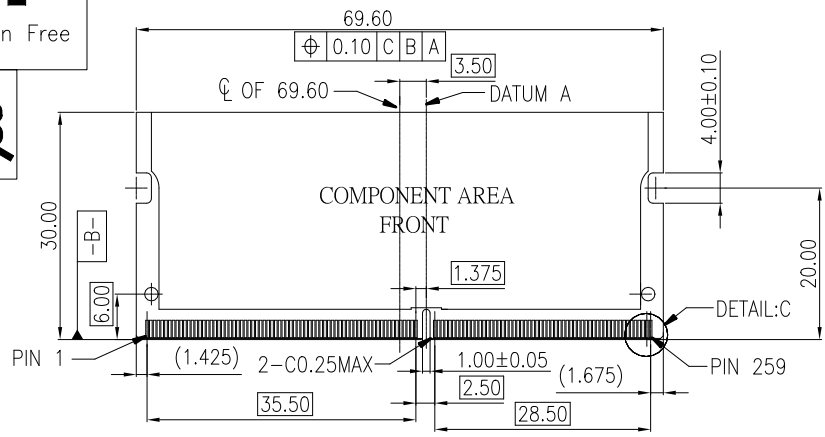
REV. B

HF

Halogen Free



REV.	ECN NO.	LOCATION	DESCRIPTION	DATE	DESIGN
A3			REVISE	08/17'15	Liushifeng
B			改善刮手	10/27'16	Liushifeng



DETAIL:C
SCALE 2:1

DETAIL:D
SCALE 2:1

DIM	TOL	DIM	TOL
.X	±0.35	X*	±3*
.XX	±0.25	.X*	±2*
.XXX	±0.15	.XX*	±1*

DEREN
SHENZHEN DEREN ELECTRONIC CO., LTD

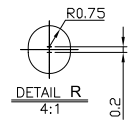
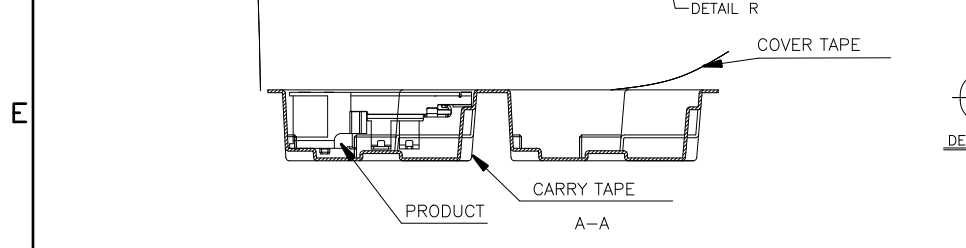
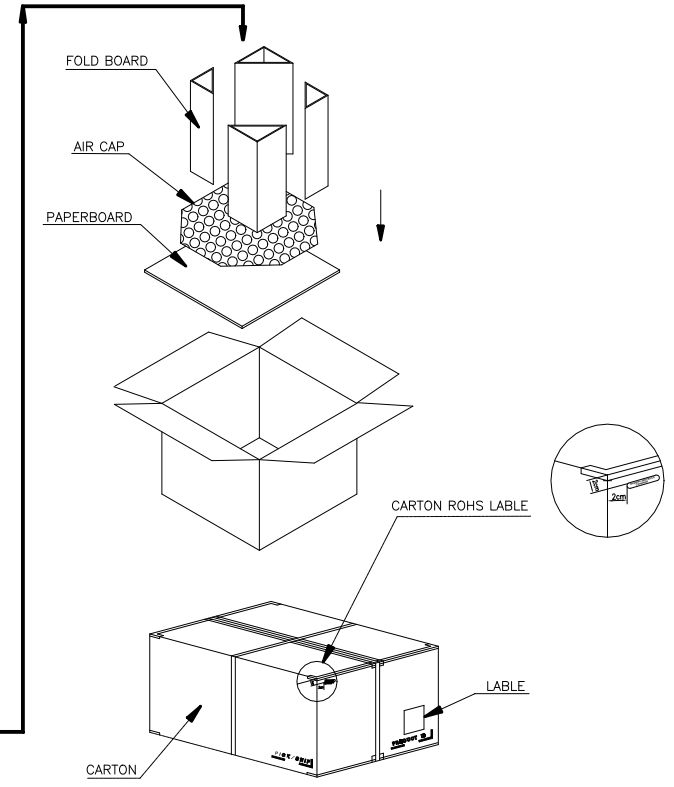
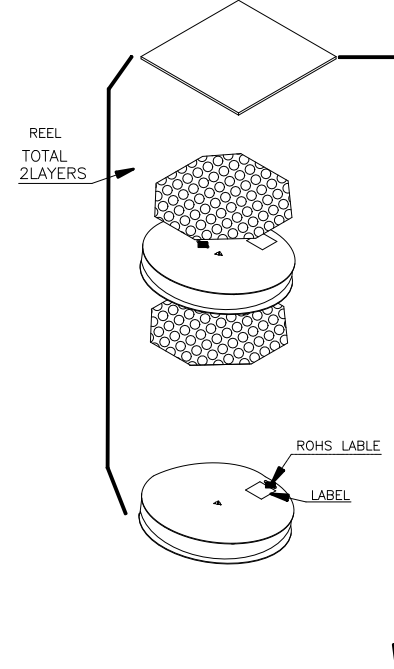
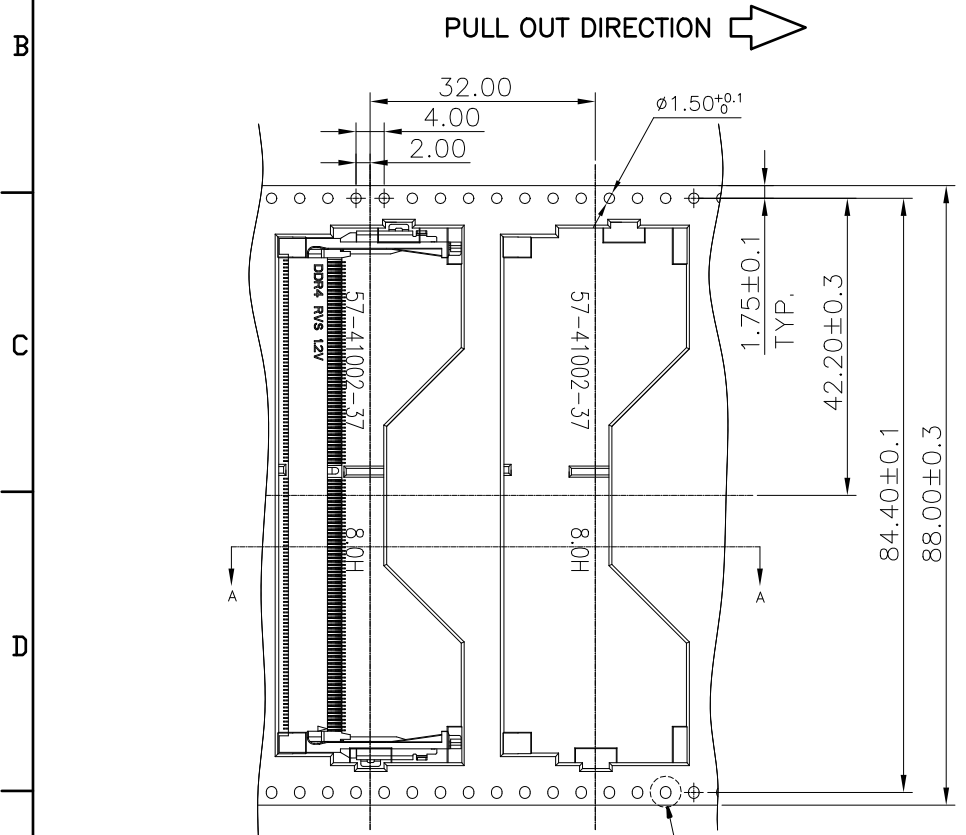
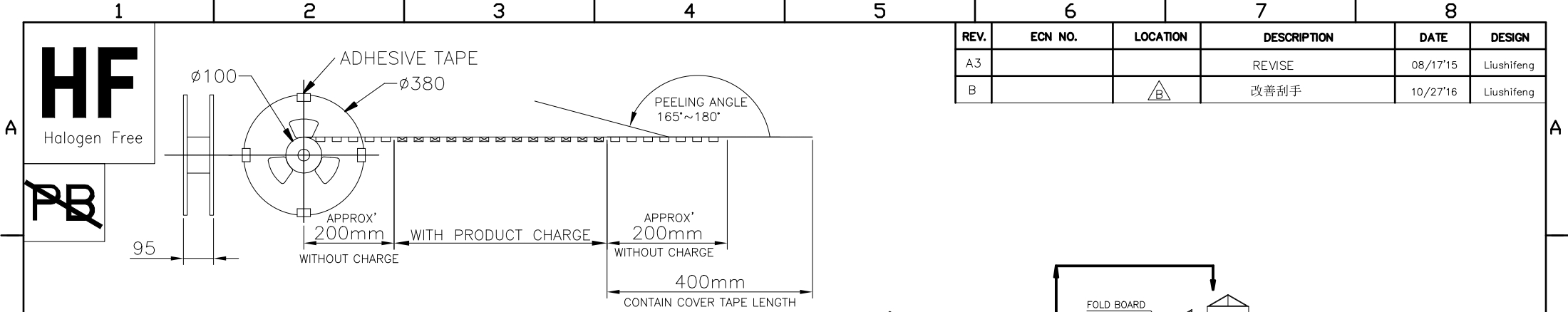
DRAW NO. SC2107745-5	DESIGN: Liushifeng	DATE: 10/27'16	TITLE: DDR4 SO DIMM 260P 8.0H RVS C-DWG
	CHECK: Bill.lin	DATE: 10/27'16	
REV. B	APPROVAL: Bill.lin	DATE: 10/27'16	SHEET: 2/3
			SCALE: 1:1 UNIT: mm

HF

Halogen Free



REV.	ECN NO.	LOCATION	DESCRIPTION	DATE	DESIGN
A3			REVISE	08/17'15	Liushifeng
B		△	改善刮手	10/27'16	Liushifeng



250	2	500	40-42275-2600XRHF
PCS/REEL	REEL/CARTON	PCS/CARTON	PART NUMBER

DIM	TOL	DIM	TOL
.X	±0.35	.X'	±3'
.XX	±0.25	.X''	±2'
.XXX	±0.15	.XX'	±1'



DEREN SHENZHEN DEREN ELECTRONIC CO., LTD		
C-DWG	TY	DATE
DESIGN:	Liushifeng	10/27'16
CHECK:	Bill.lin	10/27'16
APPROVAL:	Bill.lin	10/27'16
DRAW NO.	SC2107745-5	
TITLE:	DDR4 SD DIMM 260P 8.0H RVS C-DWG	
P/N:	SEE TABLE 2	
SHEET:	3/3	
SCALE:	1:1	UNIT: mm