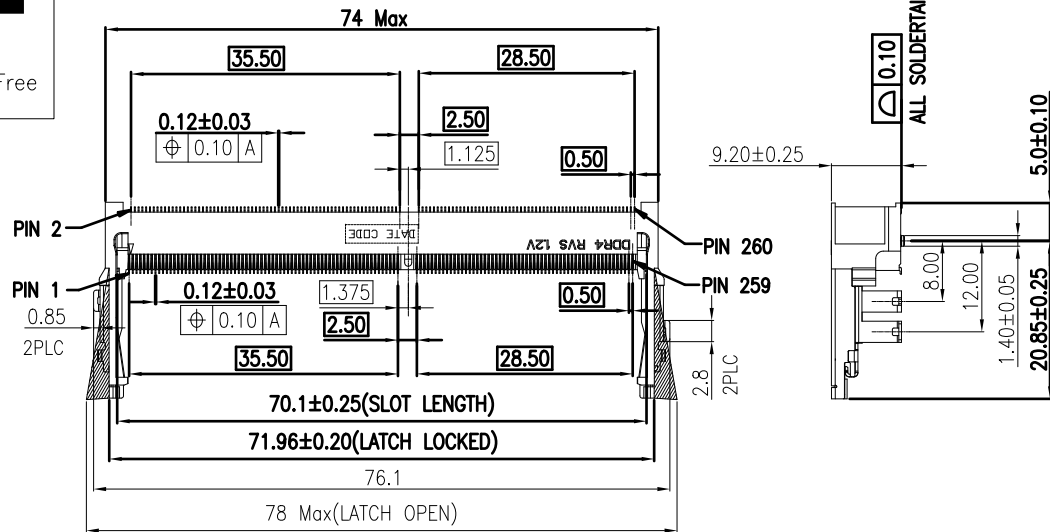


HF

Halogen Free

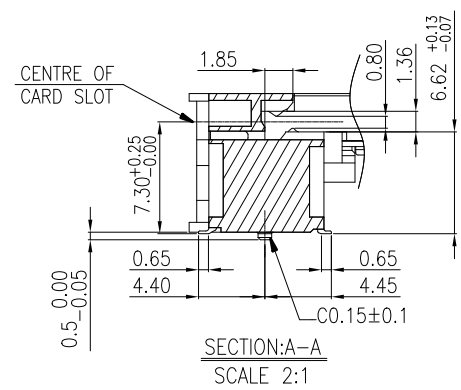
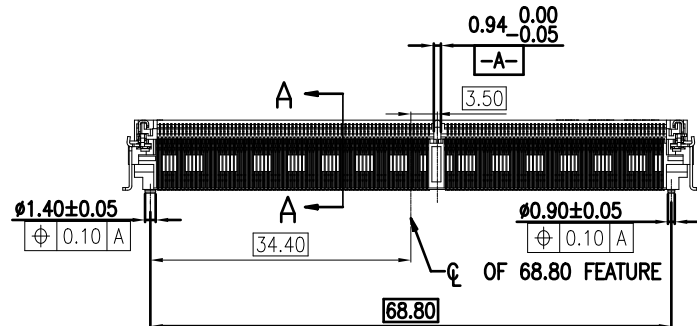


REV.	ECN NO.	LOCATION	DESCRIPTION	DATE	DESIGN
A4			REVISE	6/7'16	Wang.lie
B			REVISE	9/29'16	Wang.lie



- NOTES:
- MATERIAL:
 - HOUSING:LCP,UL94V-0,COLOR:BLACK.
 - CONTACT:PHOSPHOR BRONZE.
 - SOLDER PEG AND LATCH:STAINLESS STEEL.
 - FINISH:
 - CONTACT: 50u" MIN NICKEL UNDERPLATED ALL OVER. GOLD FLSYH PLATING ON SOLDERTAIL. GOLD PLATING (THICKNESS SEE TABLE) ON CONTACT AREA.
 - SOLDER PEG: 50u" MIN NICKEL UNDERPLATED ALL OVER. AU 2u" MAX ON SOLDERTAIL.
 - DATE CODE : YYWWDL

YY: YEAR (09: 2009)
 WW: WEEK (25: THE 25TH WEEK)
 D: DAY (1~7: SUNDAY~SATURDAY)
 L: LINE NUMBER OF SYSEMBLY (A: LINE A)
 X:MANUFACTURE CODE
 - PART NUMBER DESCRIPTION: 40-42277-2600XRHF



- HALOGEN CODE: HF:HALOGEN FREE
- R: TAPE & REEL PACKING
- PLATING CODE: 1: GF 2: Au5u" 3: Au10u" 4: Au15u" 5: Au30u"
- RESERVED
- PIN NUMBER CODE: 260 PINS

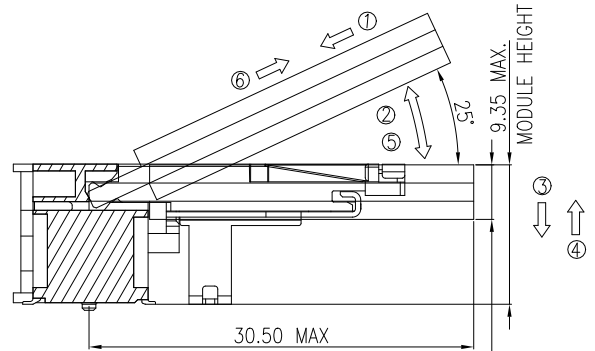


TABLE 2

DIM	TOL	DIM	TOL
30u" Au	40-42277-26005RHF	.x	±0.35
15u" Au	40-42277-26004RHF	.xx	±0.25
10u" Au	40-42277-26003RHF	.xxx	±0.15
5u" Au	40-42277-26002RHF		
GF	40-42277-26001RHF		
PLATING THICKNESS	DEREN P/N		



DEREN
SHENZHEN DEREN ELECTRONIC CO., LTD

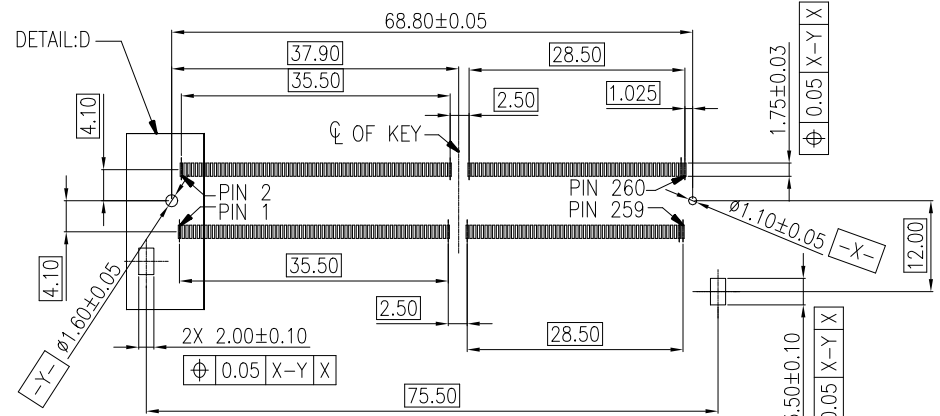
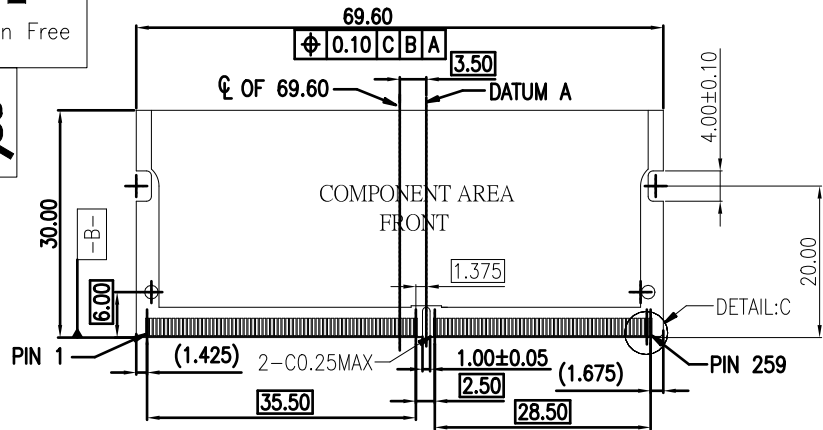
C-DWG	TY	DATE	TITLE: DDR4 SO DIMM 260P 9.2H RVS C-DWG
SC1600420-7	DESIGN: Wang.lie	9/29'16	P/N: SEE TABLE 2
REV. B	CHECK: Bill.lin	9/29'16	SHEET: 1/3
APPROVAL: Bill.lin	9/29'16	SCALE: 1:1	UNIT: mm

HF

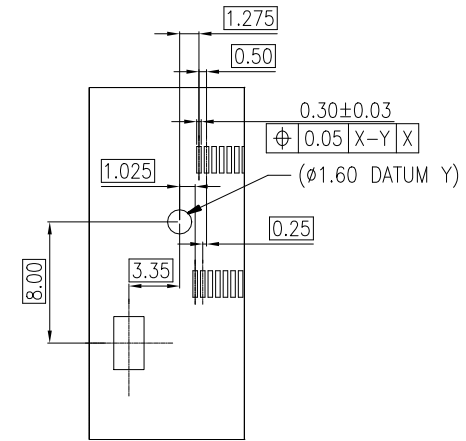
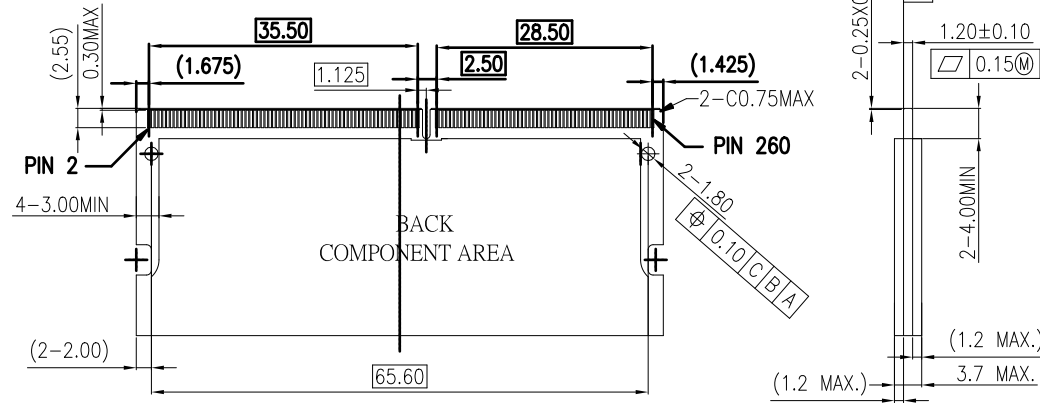
Halogen Free



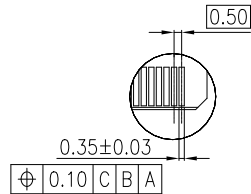
REV.	ECN NO.	LOCATION	DESCRIPTION	DATE	DESIGN
A4			REVISE	6/7'16	Wang.lie
B			REVISE	9/29'16	Wang.lie



RECOMMEND PCB LAYOUT
 THE TOLERANCE UNLESS SPECIFIED IS ±0.05MM

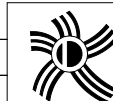


DETAIL:D
 SCALE 2:1



DETAIL:C
 SCALE 2:1

DIM	TOL	DIM	TOL
.x	±0.35	x.*	±3*
.xx	±0.25	.x*	±2*
.xxx	±0.15	.xx*	±1*



DEREN

SHENZHEN DEREN ELECTRONIC CO., LTD

C-DWG	TY	DATE	TITLE: DDR4 SD DIMM 260P 9.2H RVS C-DWG
DESIGN:	Wang.lie	9/29'16	P/N: SEE TABLE 2
CHECK:	Bill.lin	9/29'16	SHEET: 2/3
APPROVAL:	Bill.lin	9/29'16	SCALE: 1:1 UNIT: mm

DRAW NO. SC1600420-7

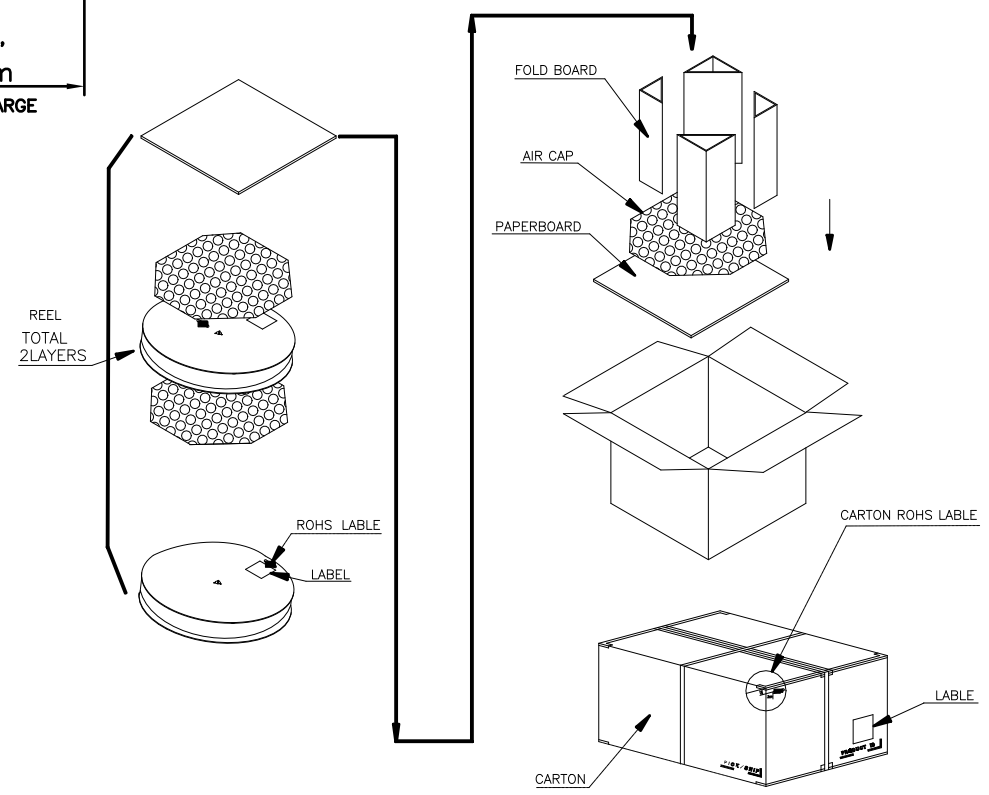
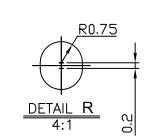
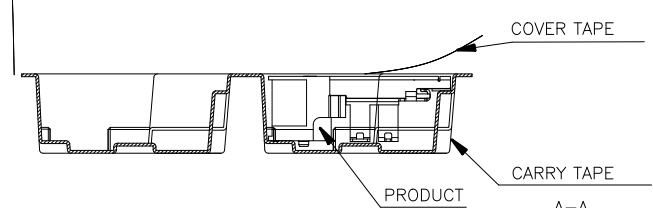
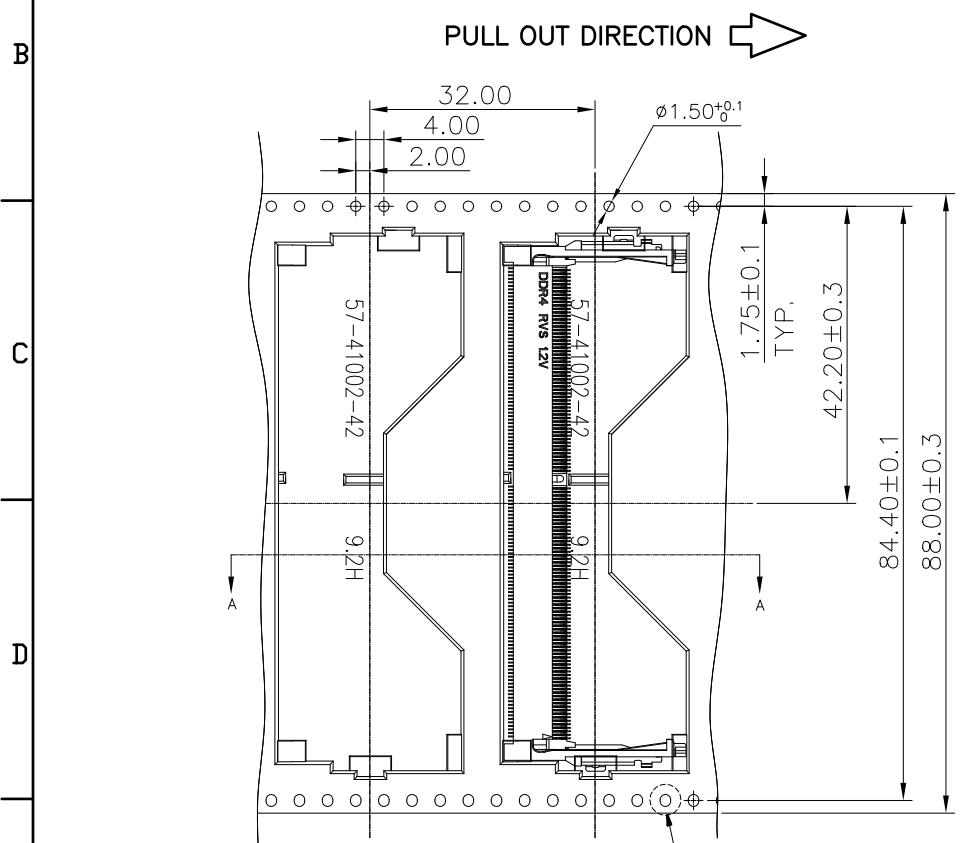
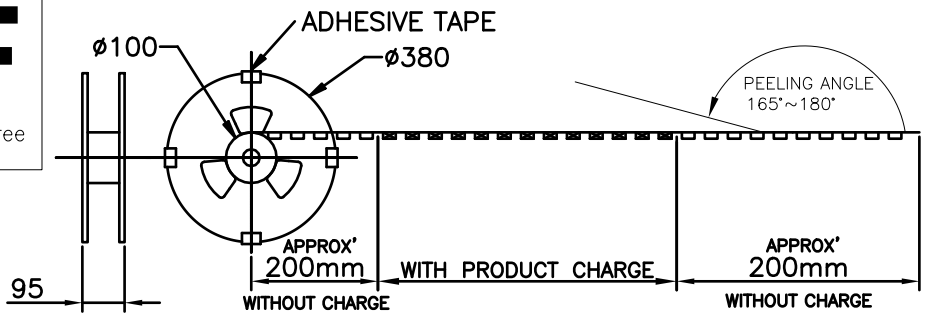
REV. B

HF

Halogen Free



REV.	ECN NO.	LOCATION	DESCRIPTION	DATE	DESIGN
A4			REVISE	6/7'16	Wang.lie
B			REVISE	9/29'16	Wang.lie



250	2	500	40-42277-2600XRHF
PCS/REEL	REEL/CARTON	PCS/CARTON	PART NUMBER

DIM	TOL	DIM	TOL
.X	±0.35	X.*	±3*
.XX	±0.25	.X.*	±2*
.XXX	±0.15	.XX.*	±1*



DEREN
 SHENZHEN DEREN ELECTRONIC CO., LTD
C-DWG TY DATE
DESIGN: Wang.lie 9/29'16
CHECK: Bill.lin 9/29'16
APPROVAL: Bill.lin 9/29'16
DRAW NO. SC1600420-7
REV. B
TITLE: DDR4 SD DIMM 260P 9.2H RVS C-DWG
P/N: SEE TABLE 2
SHEET: 3/3
SCALE: 1:1 **UNIT: mm**