

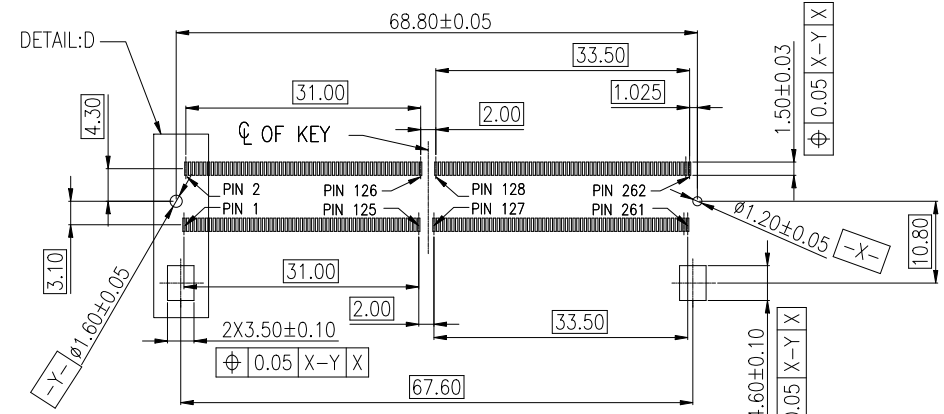
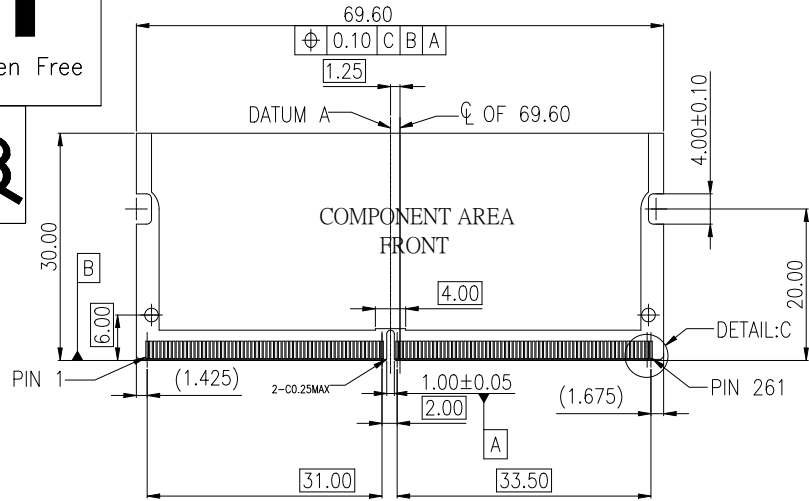


# HF

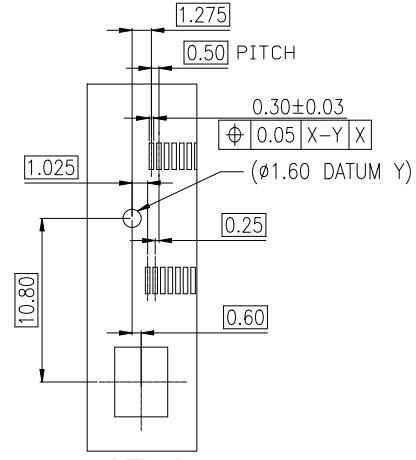
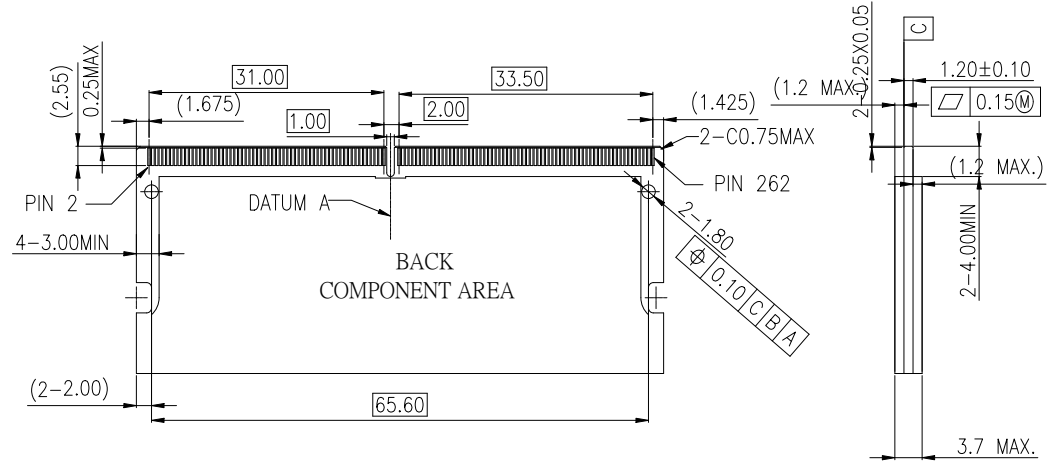
Halogen Free



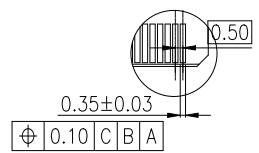
REV.	ECN NO.	LOCATION	DESCRIPTION	DATE	DESIGN
A			PRELIMINARY DRAWING	2023.02.01	HC



RECOMMEND PCB LAYOUT(TOP VIEW)  
THE TOLERANCE UNLESS SPECIFIED IS ±0.05MM



DETAIL:D  
SCALE 2:1



DETAIL:C  
SCALE 2:1

DIM	TOL	DIM	TOL
.x	±0.50	.x'	±3'
.x	±0.35	.x'	±2'
.xx	±0.25	.xx'	±1'
.xxx	±0.15		

**DEREN**  
SHENZHEN DEREN ELECTRONIC CO., LTD

C-DWG	TY	DATE	TITLE: DDR5 SO DIMM 262PIN 4.0H RVS METAL LATCH ASSY
DESIGN:	HC	2023.02.01	P/N: 567YD2-001HXR3XR
CHECK:			SHEET: 2/3
APPROVAL:			SCALE: 1:1 UNIT: mm

DRAW NO. SC2107425-15

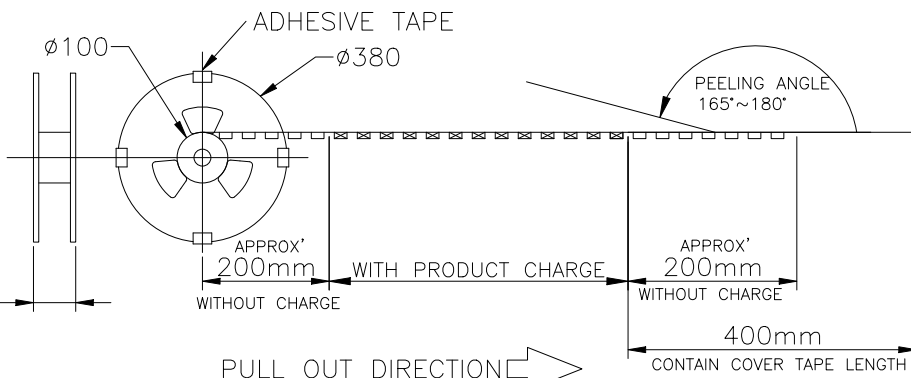
REV. A

DESIGN: HC  
DATE: 2023.02.01  
CHECK:  
APPROVAL:

TITLE: DDR5 SO DIMM 262PIN 4.0H RVS METAL LATCH ASSY  
P/N: 567YD2-001HXR3XR  
SHEET: 2/3  
SCALE: 1:1 UNIT: mm

# HF

Halogen Free



A

A

B

B

C

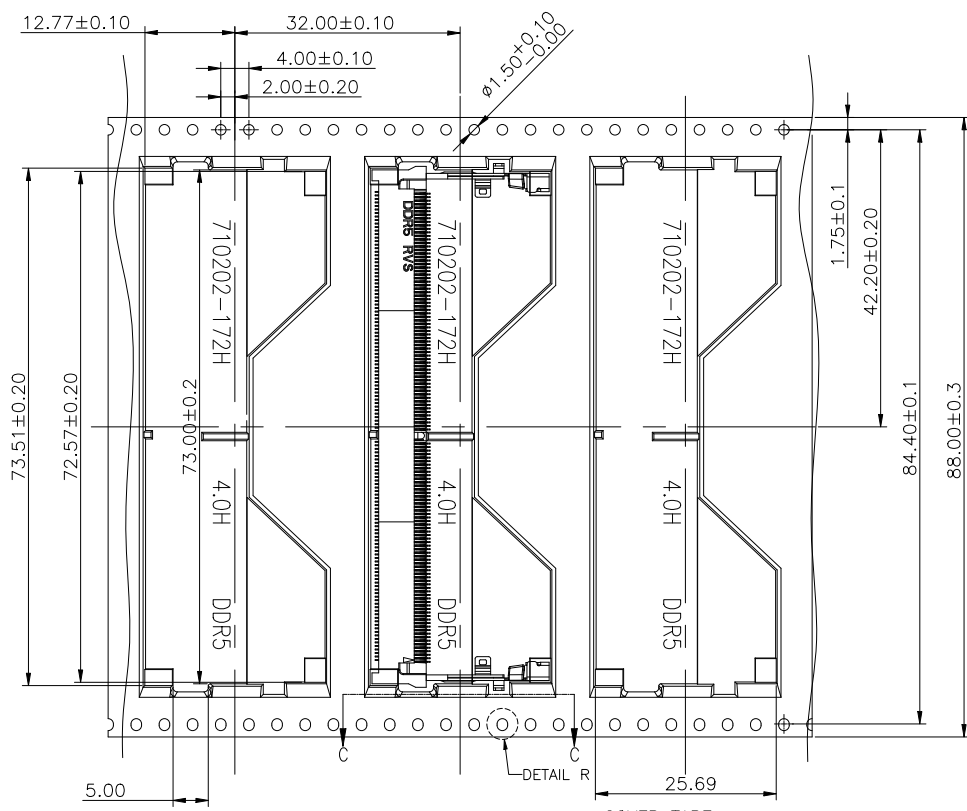
C

D

D

E

E



73.51±0.20  
72.57±0.20  
2.0±0.20  
4.0H  
DDR5

710202-172H

710202-172H

710202-172H

4.0H  
DDR5

4.0H  
DDR5

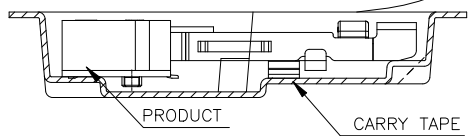
25.69

1.75±0.1

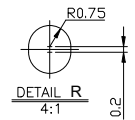
84.40±0.1  
88.00±0.3

DETAIL R

COVER TAPE

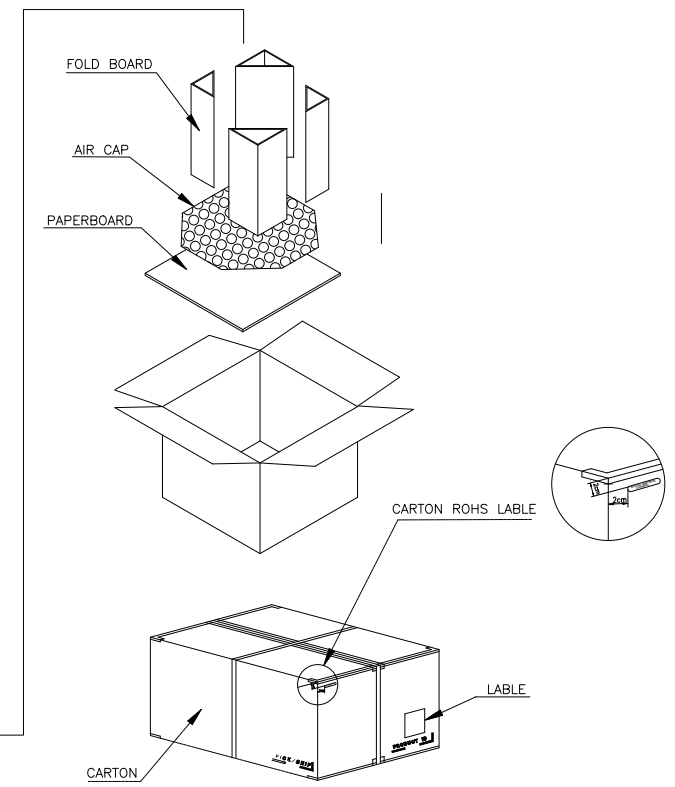
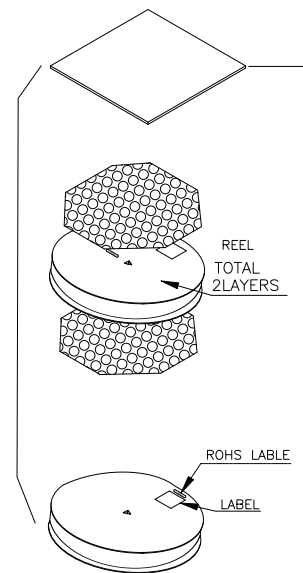


SECTION:C-C



DETAIL R  
4:1

REV.	ECN NO.	LOCATION	DESCRIPTION	DATE	DESIGN
A			PRELIMINARY DRAWING	2023.02.01	HC



500	2	1000	SEE P/N
PCS/REEL	REEL/CARTON	PCS/CARTON	PART NUMBER



**DEREN**  
SHENZHEN DEREN ELECTRONIC CO., LTD

DIM	TOL	DIM	TOL
.x	±0.50	.x*	±3*
.x	±0.35	.x*	±2*
.xx	±0.25	.xx*	±1*
.xxx	±0.15		

DRAW NO.	DESIGN:	DATE
SC2107425-15	HC	2023.02.01
REV. A	CHECK:	
	APPROVAL:	

C-DWG	TY	DATE	TITLE:	DDR5 SO DIMM 262PIN 4.0H RVS METAL LATCH ASSY
			P/N:	567YD2-001HXR3XR
			SHEET:	3/3
			SCALE:	1:1
			UNIT:	mm