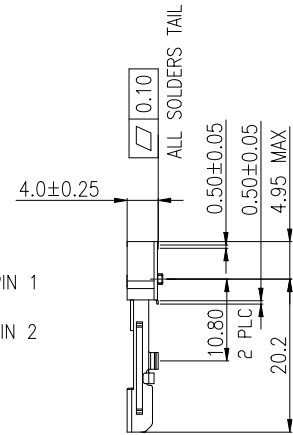
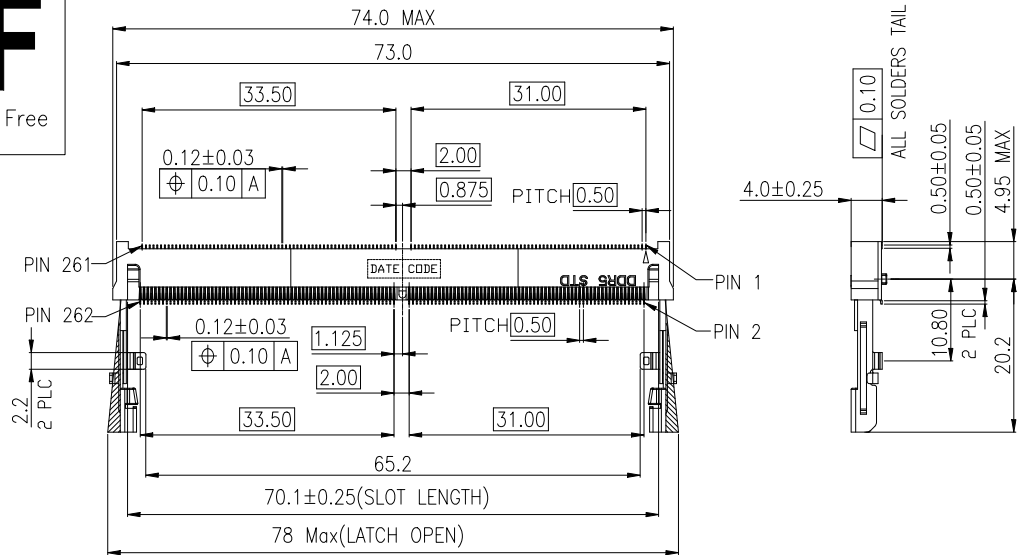


HF

Halogen Free



REV.	ECN NO.	LOCATION	DESCRIPTION	DATE	DESIGN
A			PRELIMINARY DRAWING	2023.02.01	HC

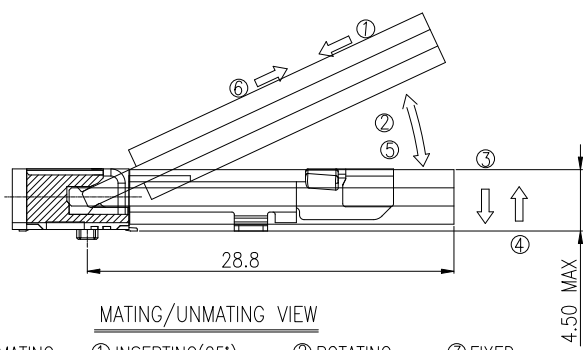
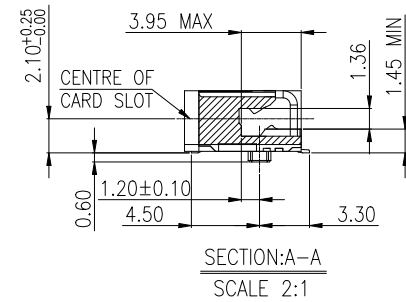
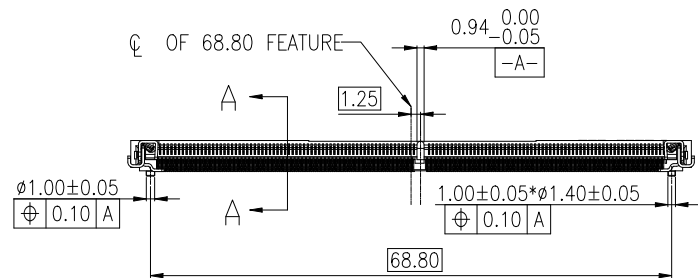


NOTES:
 PRODUCT MUST MEET CONTROLLED SUBSTANCES SPEC.DEREN PER WI-PB-S-010

- MATERIAL:
 - HOUSING:LCP,UL94V-0,COLOR:BLACK.
 - CONTACT:PHOSPHOR BRONZE.
 - LATCH:STAINLESS STEEL.
- FINISH:
 - CONTACT:
 - 50u" MIN NICKEL UNDERPLATED ALL OVER.
 - GOLD FLASH PLATING ON SOLDER TAIL.
 - GOLD PLATING (THICKNESS SEE P/N) ON CONTACT AREA.
 - SOLDER PEG:
 - 50u" MIN NICKEL UNDERPLATED ALL OVER.
 - 100u" MIN MATTE TIN PLATING ENTIRE OVER.
- DATE CODE:YYWDLX
 YY: YEAR (09: 2009)
 WW: WEEK (25: THE 25TH WEEK)
 D: DAY (1~7: SUNDAY~SATURDAY)
 L: LINE NUMBER OF ASSEMBLY (A: LINE A)
 X: MANUFACTURE CODE
- RECOMMENDED STENCIL THICKNESS:0.12mm Min.
- PART NUMBER DESCRIPTION:

567YD2-001H X S 3 X R

PACKING CODE:
 R:TAPE&REEL
 LOGO:
 0:NO LOGO
 1:DR LOGO
 3:SHORTED LATCH
 KEY TYPE:
 S:STD
 PLATING CODE:1: GF 2: Au5u"
 3: Au10u" 4:Au15u"
 5: Au30u"
 HALOGEN CODE:
 H:HALOGEN FREE



MATING: ① INSERTING(25°) → ② ROTATING → ③ FIXED
 UNMATING: ④ UNFIXED → ⑤ ROTATING → ⑥ WITHDRAWING

DIM	TOL	DIM	TOL
.x	±0.50	.x'	±3'
.x	±0.35	.x'	±2'
.xx	±0.25	.xx'	±1'
.xxx	±0.15		

DEREN
 SHENZHEN DEREN ELECTRONIC CO., LTD

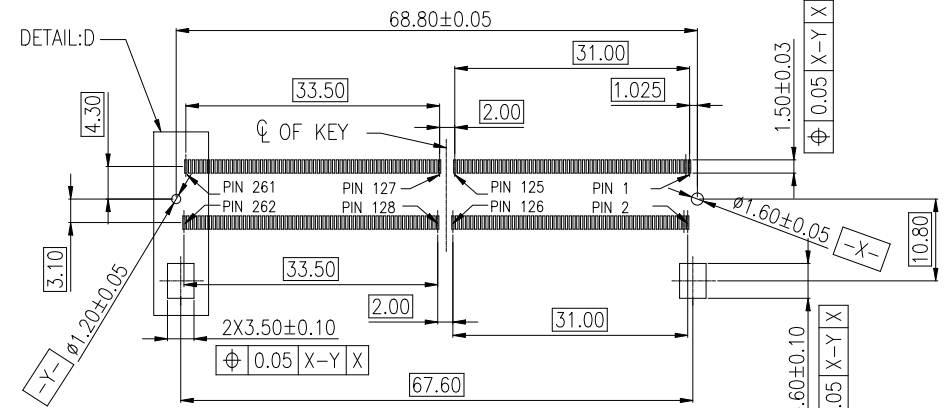
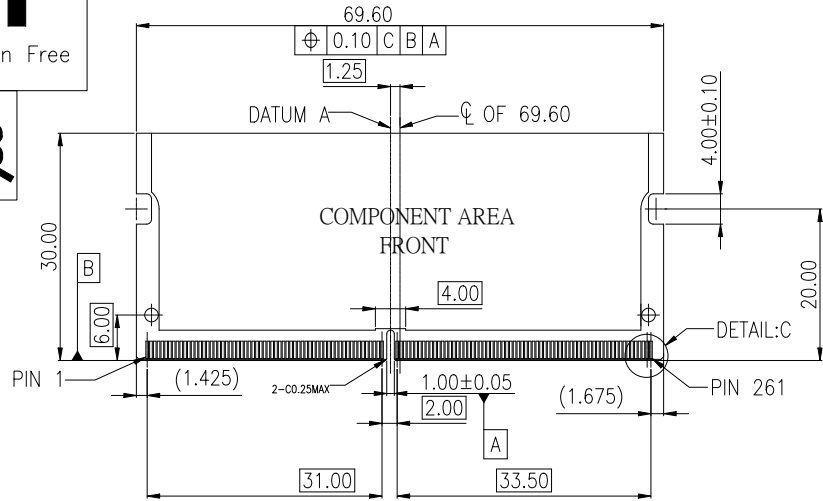
C-DWG	TY	DATE	TITLE: DDR5 SO DIMM 262PIN 4.0H STD METAL LATCH ASSY
DRAW NO. SC2107424-15	DESIGN: HC	2023.02.01	P/N:567YD2-001HXS3XR
REV. A	CHECK:		SHEET: 1/3
APPROVAL:			SCALE: 1:1 UNIT: mm

HF

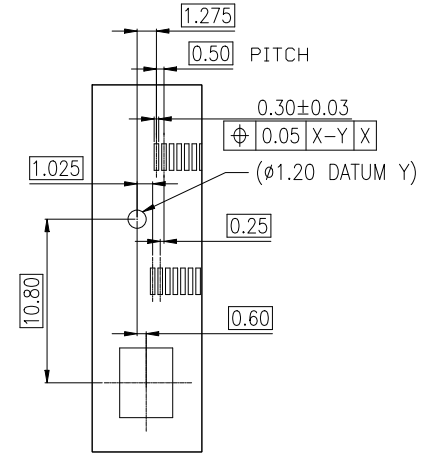
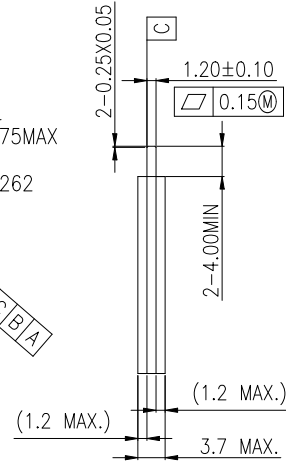
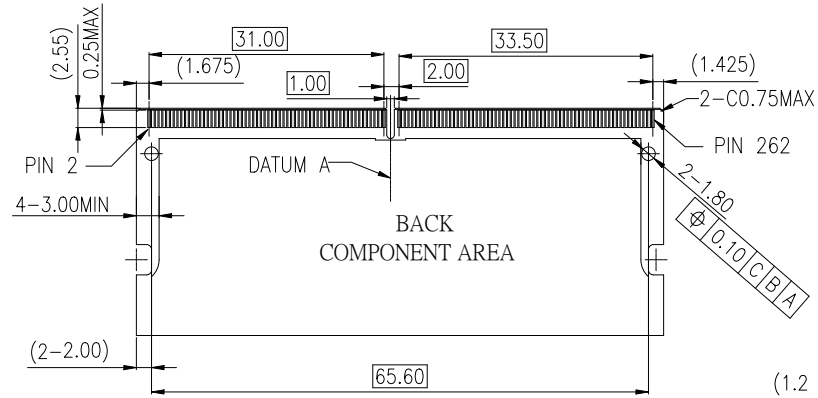
Halogen Free



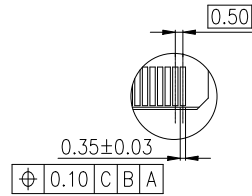
REV.	ECN NO.	LOCATION	DESCRIPTION	DATE	DESIGN
A			PRELIMINARY DRAWING	2023.02.01	HC



RECOMMEND PCB LAYOUT(TOP VIEW)
 THE TOLERANCE UNLESS SPECIFIED IS ±0.05MM




DETAIL:D
 SCALE 2:1



DETAIL:C
 SCALE 2:1

DIM	TOL	DIM	TOL
.x	±0.50	.x'	±3'
.x	±0.35	.x'	±2'
.xx	±0.25	.xx'	±1'
.xxx	±0.15		



DEREN
 SHENZHEN DEREN ELECTRONIC CO., LTD

C-DWG	TY	DATE	TITLE: DDR5 SO DIMM 262PIN 4.0H STD METAL LATCH ASSY
DESIGN:	HC	2023.02.01	P/N:567YD2-001HXS3XR
CHECK:			SHEET: 2/3
APPROVAL:			SCALE: 1:1 UNIT: mm

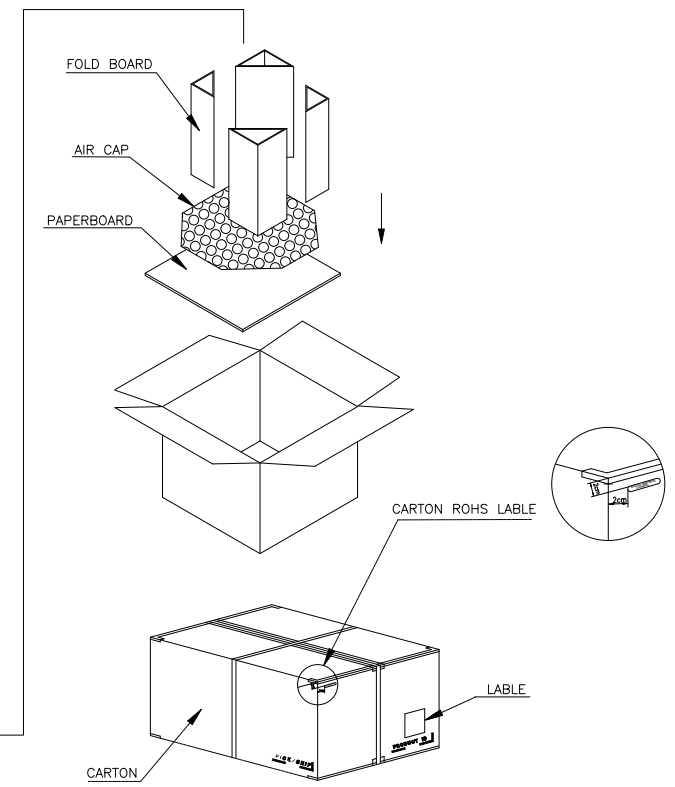
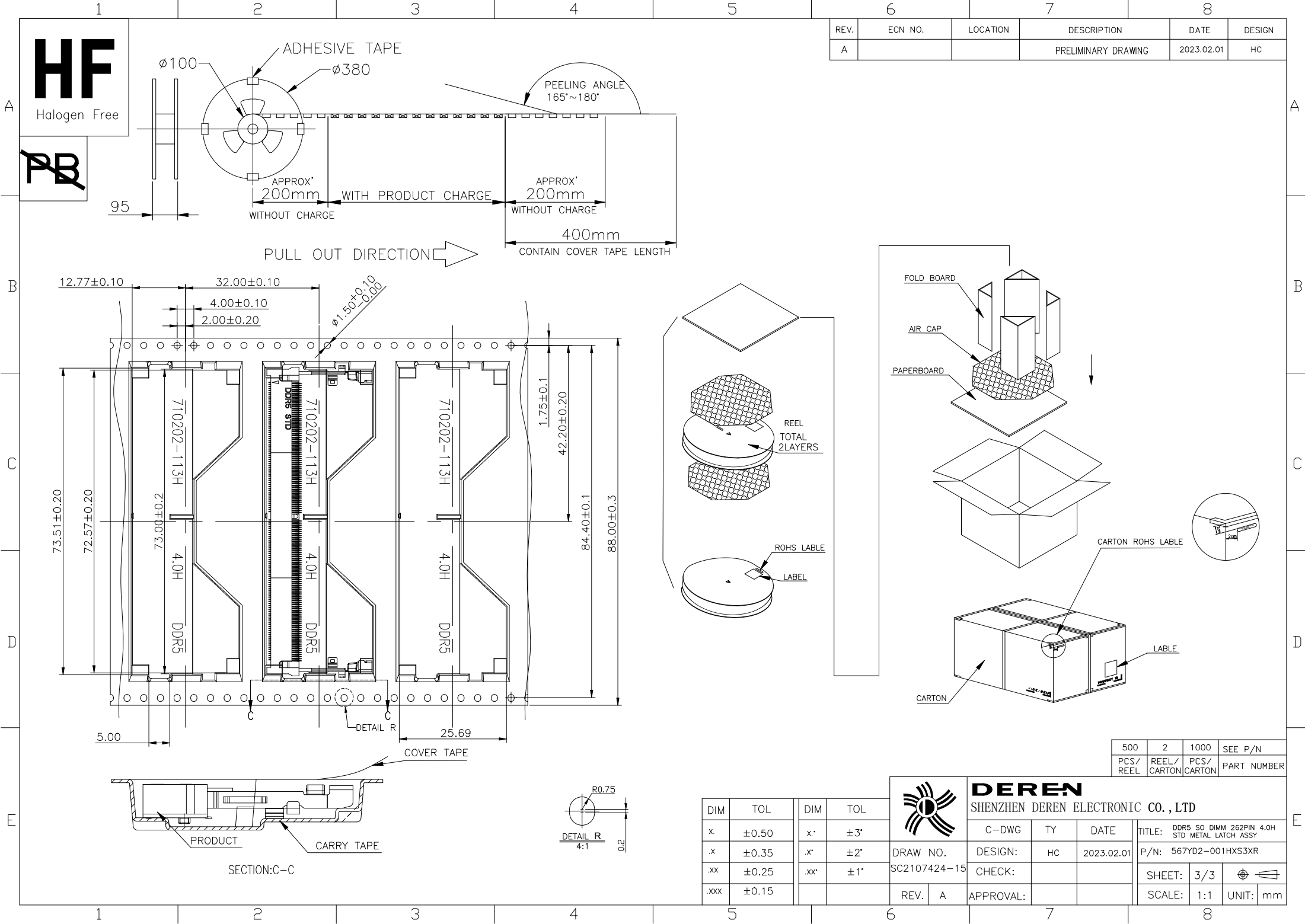
DRAW NO. SC2107424-15
 REV. A

HF

Halogen Free



REV.	ECN NO.	LOCATION	DESCRIPTION	DATE	DESIGN
A			PRELIMINARY DRAWING	2023.02.01	HC



500	2	1000	SEE P/N
PCS/REEL	REEL/CARTON	PCS/CARTON	PART NUMBER

DIM	TOL	DIM	TOL
.x	±0.50	.x*	±3*
.x	±0.35	.x*	±2*
.xx	±0.25	.xx*	±1*
.xxx	±0.15		

DEREN
SHENZHEN DEREN ELECTRONIC CO., LTD

C-DWG	TY	DATE	TITLE: DDR5 SO DIMM 262PIN 4.0H STD METAL LATCH ASSY
DESIGN:	HC	2023.02.01	P/N: 567YD2-001HXS3XR
CHECK:			SHEET: 3/3
APPROVAL:			SCALE: 1:1 UNIT: mm

DRAW NO. SC2107424-15

REV. A

REEL: A