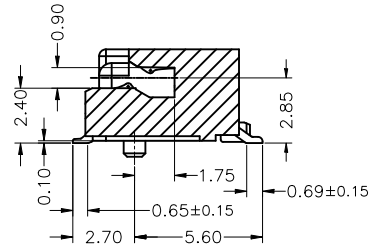
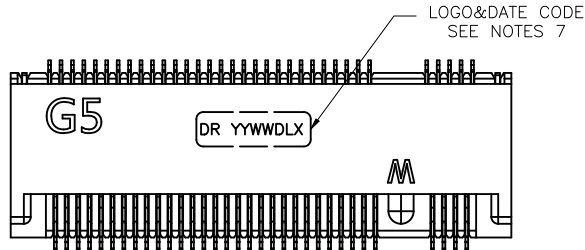


HF

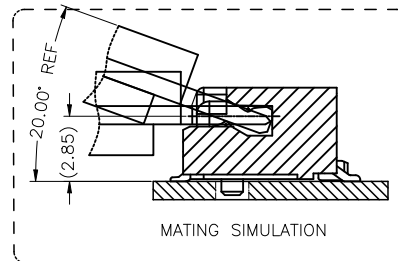
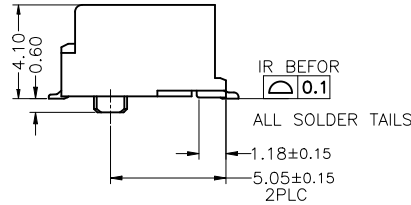
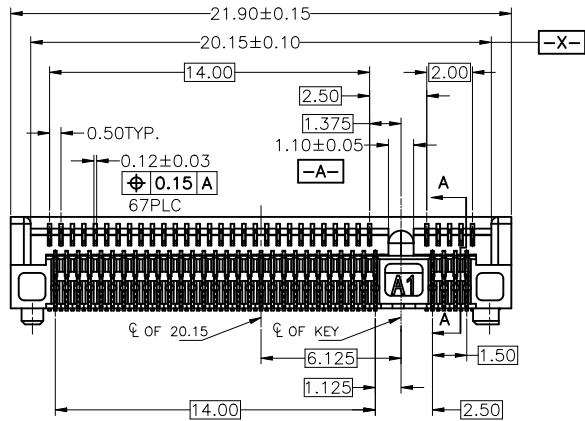
Halogen Free



REV.	ECN NO.	LOCATION	DESCRIPTION	DATE	DESIGN
A	NA	NA	INITIAL RELEASE	11/15'23	Jason Huang
B	NA	NA	UPDATE NOTES	12/29'23	Jason Huang



SECTION:A-A
SCALE:1:1



NOTES:
PRODUCT MUST MEET CONTROLLED SUBSTANCES SPEC. ROHS 2.0

1. MATERIAL:

- 1.1 HOUSING: LCP , UL94V-0; COLOR: BLACK
- 1.2 CONTACTS: PHOSPHOR BRONZE
- 1.3 FLOATING PEG: STAINLESS STEEL
- 1.4 CETER PLATE: STAINLESS STEEL

2. FINISH:

- 2.1 CONTACT:
CONTACT: 50u" MIN NICKEL UNDERPLATED ALL OVER,
Au GF PLATING ON SOLDERTAIL. GOLD PLATING
(THICKNESS SEE NOTE 10) ON CONTACT AREA.
- 2.2 FLOATING PEG:
100u" MIN. MATTE-TIN. 50u"MIN. NICKEL UNDERPLATING.

3. REFLOW SOLDER CAPABLE TO 260°C 10SEC.

4. ELECTRICAL CHARACTERISTICS:

- 4.1 CONTACT CURRENT RATING: 0.5 AMPERE MAX, PER PIN,
- 4.2 VOLTAGE RATING: 50V AC.

- 4.3 INSULATION RESISTANCE: 500M OHM MIN.(INITIAL),
100M OHM MIN.(FINAL), AT 500V DC,
FOR 1 MINUTE.
- 4.4 DIELECTRIC WITHSTANDING VOLTAGE: 300V AC RMS AT 60HZ,

- 4.5 CONTACT RESISTANCE: 55m OHM MAX(INITIAL)
ΔR 20m OHM MAX(FINAL)

5. OPERATION TEMPERATURE: -40°C TO +80°C

6. MATING FORCE: 2.04Kgf MAX.

DURABILITY: 25 CYCLES

7. DATE CODE YYWDLX

YY: YEAR (09: 2009)

WW: WEEK (25: THE 25TH WEEK)

D: DAY (1~7: SUNDAY~SATURDAY)

L: LINE NUMBER OF ASSEMBLY (A: LINE A)

X: MANUFACTURE CODE

- 8.CONNECTOR ACTUAL PIN QUANTITY IS 67,AS THE KEY TAKING OUT 8 PINS.
- 9.RECOMMENDED STENCIL THINCKNESS 0.12MM MIN
- 10.PART NUMBER DESCRIPTION:
5621D3-013 H - X B 0 X

PACKING CODE:

- R: EMBOSS WIDTH 44mm, SLOT FORWARD
- 1: EMBOSS WIDTH 44mm, SLOT BACKWARD
- 2: EMBOSS WIDTH 32mm, SLOT FORWARD
- 3: EMBOSS WIDTH 32mm, SLOT BACKWARD

COLOR:

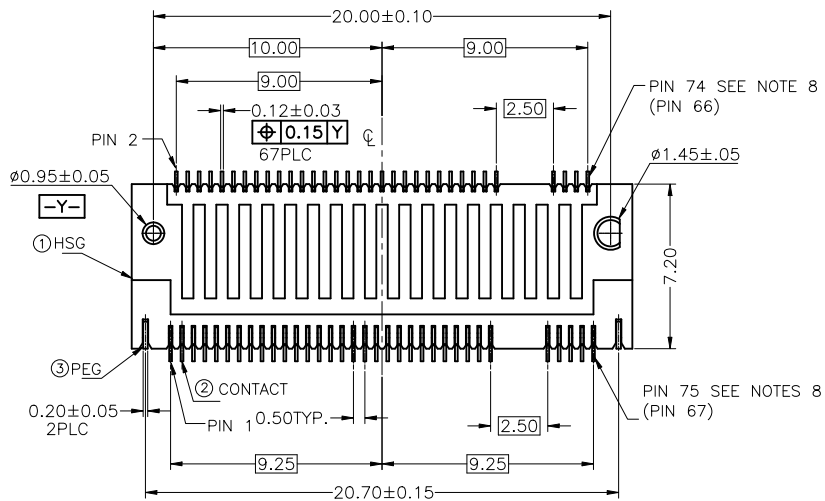
- 0:BLACK WITH DR LOGO 1:WHITE WITH DR LOGO
- 2:BLACK WITHOUT DR LOGO 3:WHITE WITHOUT DR LOGO

KEY TYPE: B: KEY M

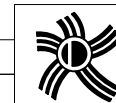
PLATING CODE:

- 1: GF 2: Au5u"
- 3: Au10u" 4: Au15u"
- 5: Au30u"

HALOGEN CODE: H:HALOGEN FREE



DIM	TOL	DIM	TOL
x	±0.30	x	±2'
x	±0.25	x	±1'
xx	±0.15		



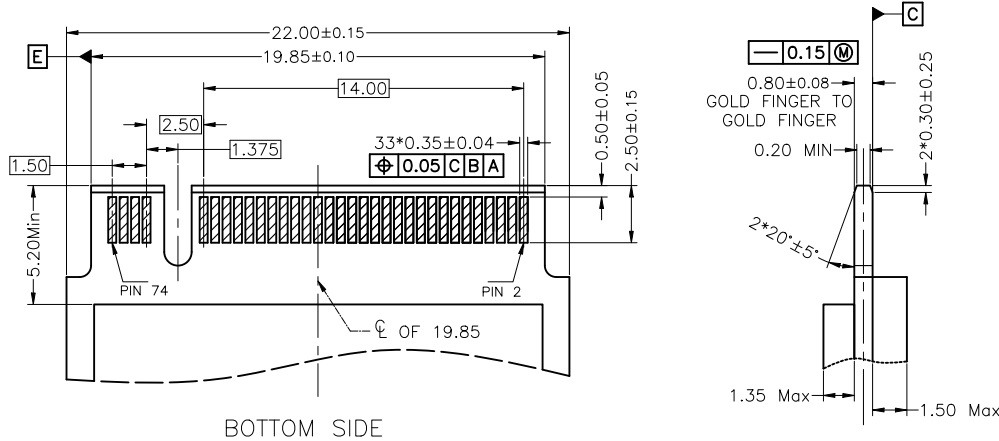
DEREN
SHENZHEN DEREN ELECTRONIC CO., LTD

C-DWG	TY	DATE	TITLE:
DESIGN:	Jason Huang	12/29'23	M.2 GEN5 4.2H KEY_M
CHECK:	Bil Lin	12/29'23	P/N: 5621D3-013H-XBOX
REV.	B	APPROVAL:	Bil Lin
		DATE:	12/29'23
		SHEET:	1/6
		SCALE:	N/A
		UNIT:	mm

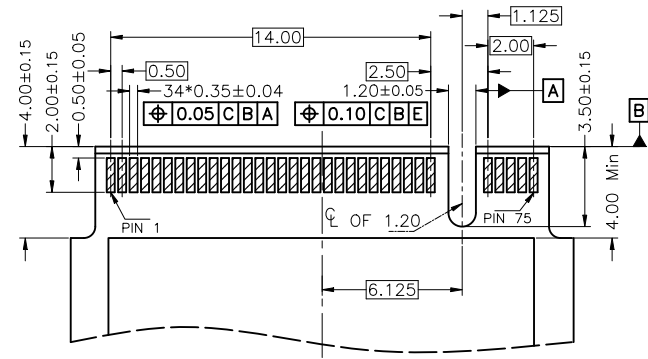
HF
Halogen Free



PLUG PCB

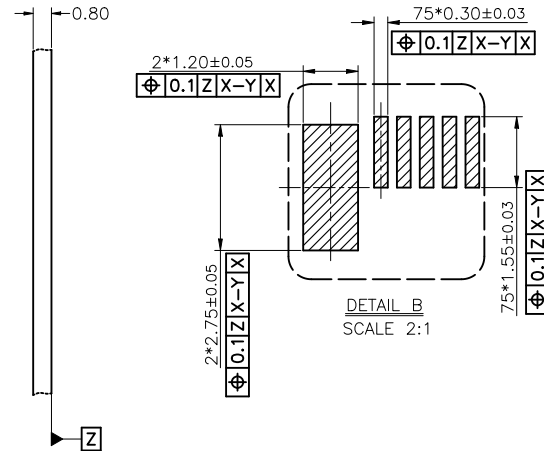
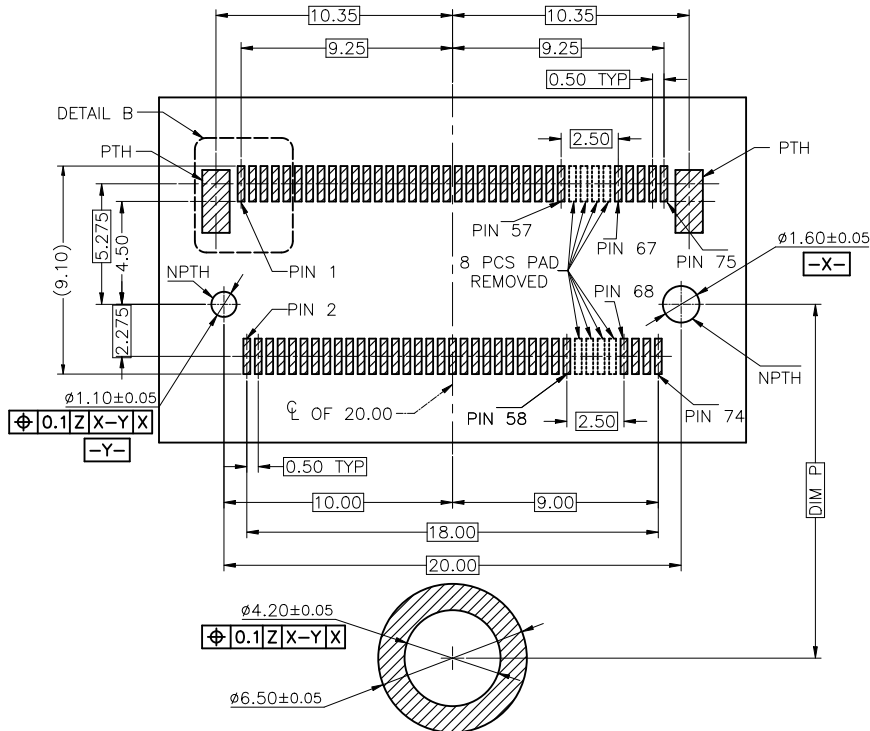


BOTTOM SIDE



TOP SIDE

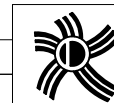
RECOMMENDED PCB LAYOUT(TOP VIEW)
DEFAULT TOLERANCE ±0.05mm



REV.	ECN NO.	LOCATION	DESCRIPTION	DATE	DESIGN
A	NA	NA	INITIAL RELEASE	11/15'23	Jason Huang
B	NA	NA	UPDATE NOTES	12/29'23	Jason Huang

22110	108.25
2280	78.25
2260	58.25
2242	40.25
2230	28.25
3042	40.25
3030	28.25
MODULE TYPE	DIM P

DIM	TOL	DIM	TOL
x	±0.30	x	±2'
x	±0.25	x	±1'
xx	±0.15		

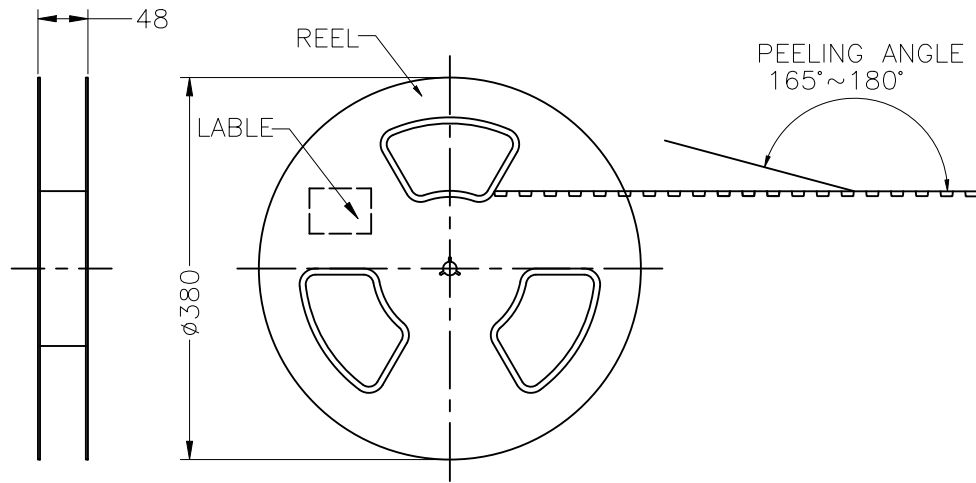


DEREN
SHENZHEN DEREN ELECTRONIC CO., LTD

C-DWG	TY	DATE	TITLE:
DESIGN:	Jason Huang	12/29'23	M.2 GEN5 4.2H KEY_M
CHECK:	Bil Lin	12/29'23	P/N: 5621D3-013H-XBOX
APPROVAL:	Bil Lin	12/29'23	SHEET: 2/6
REV. B			SCALE: N/A UNIT: mm

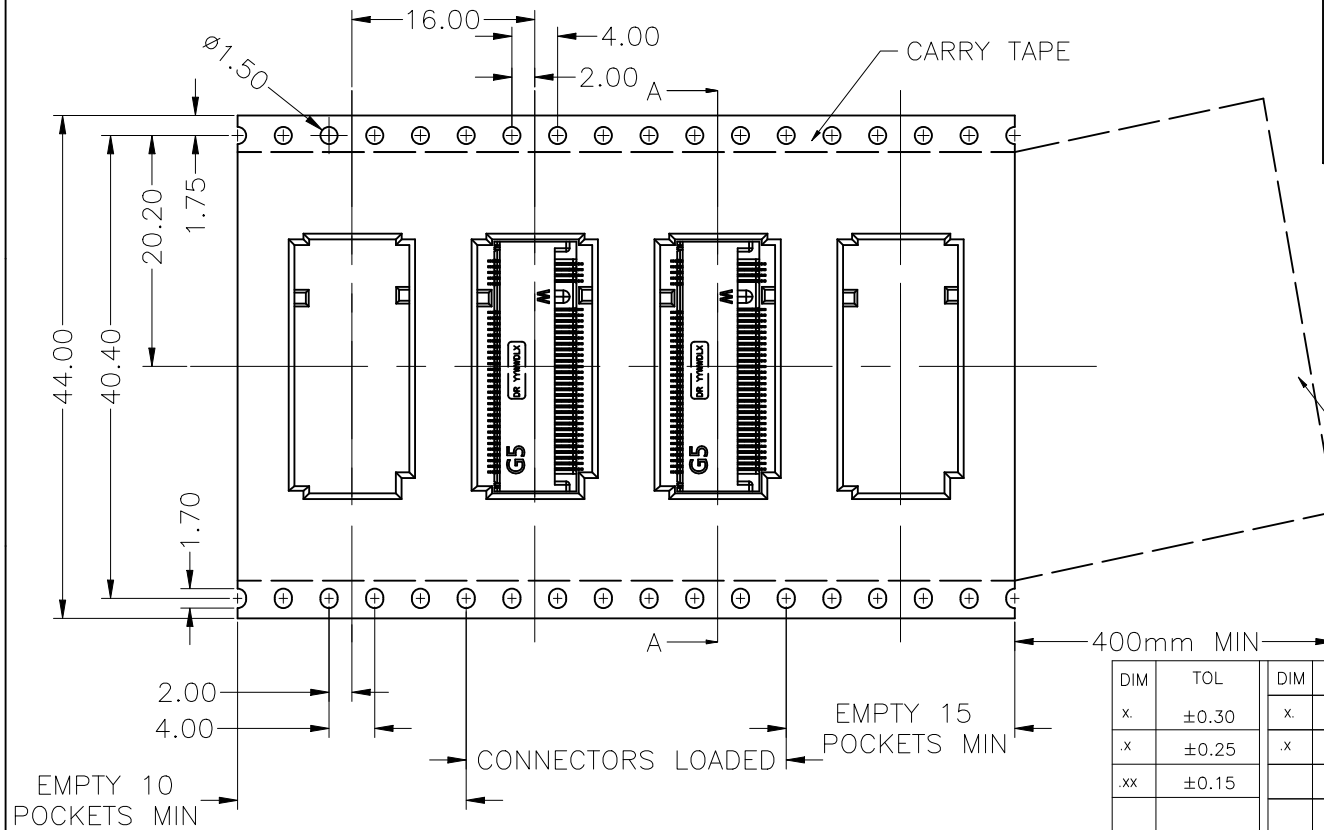
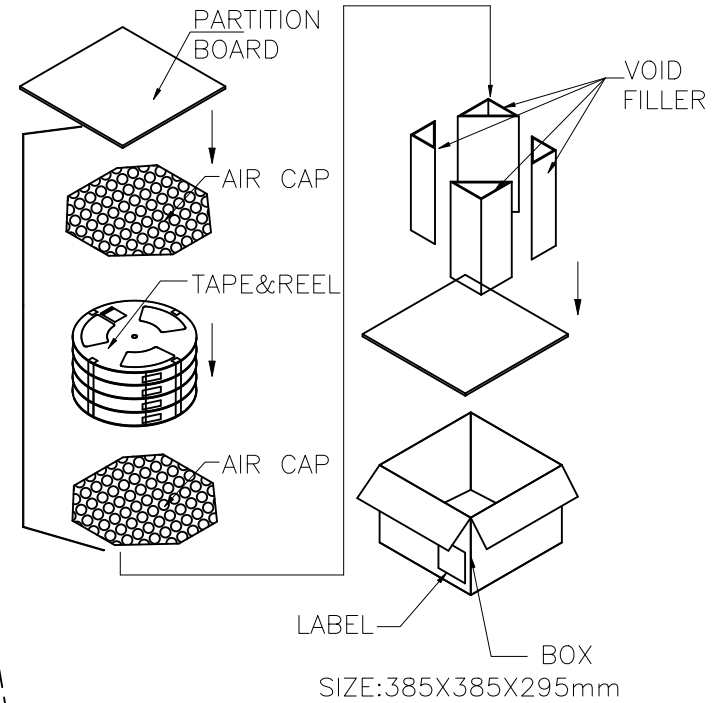


FEEDING DIRECTION →



REV.	ECN NO.	LOCATION	DESCRIPTION	DATE	DESIGN
A	NA	NA	INITIAL RELEASE	11/15'23	Jason Huang
B	NA	NA	UPDATE NOTES	12/29'23	Jason Huang

5621D3-013H-XBOR
R: EMBOSS WIDTH 44mm, SLOT FORWARD



1100	5	5500
PCS/ TAPE	REELS/ BOX	PCS/BOX

DEREN
SHENZHEN DEREN ELECTRONIC CO., LTD

C-DWG	TY	DATE	TITLE:
SC2208136-12	Jason Huang	12/29'23	M.2 GEN5 4.2H KEY_M
REV. B	Bil Lin	12/29'23	P/N: 5621D3-013H-XBOX
APPROVAL:	Bil Lin	12/29'23	SHEET: 3/6
			SCALE: N/A UNIT: mm

DIM	TOL	DIM	TOL
x	±0.30	x	±2'
x	±0.25	x	±1'
xx	±0.15		

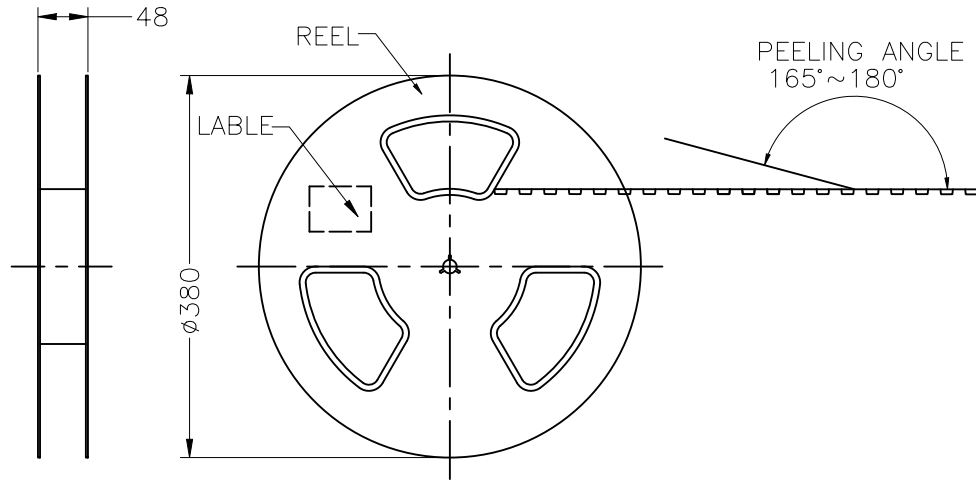
EMPTY 10
POCKETS MIN

CONNECTORS LOADED

EMPTY 15
POCKETS MIN

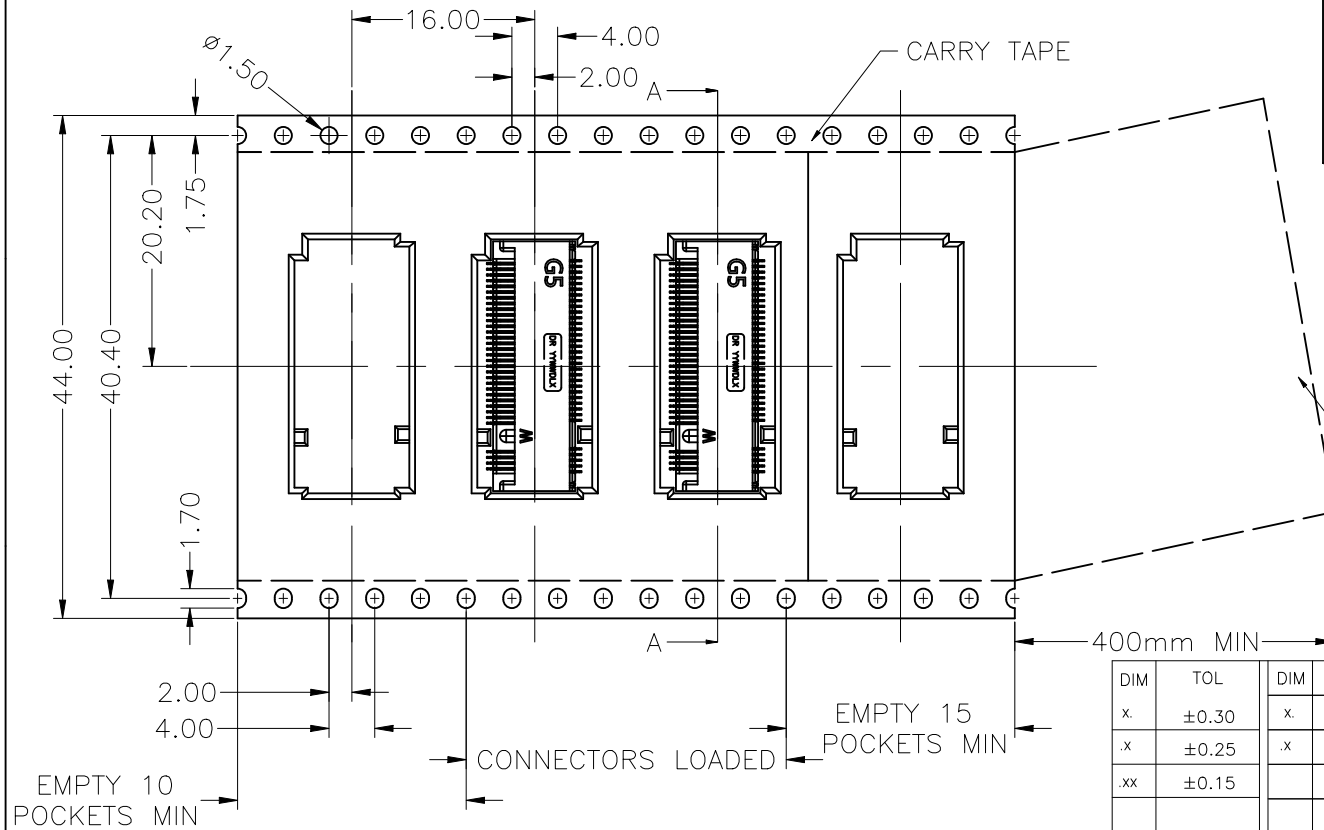
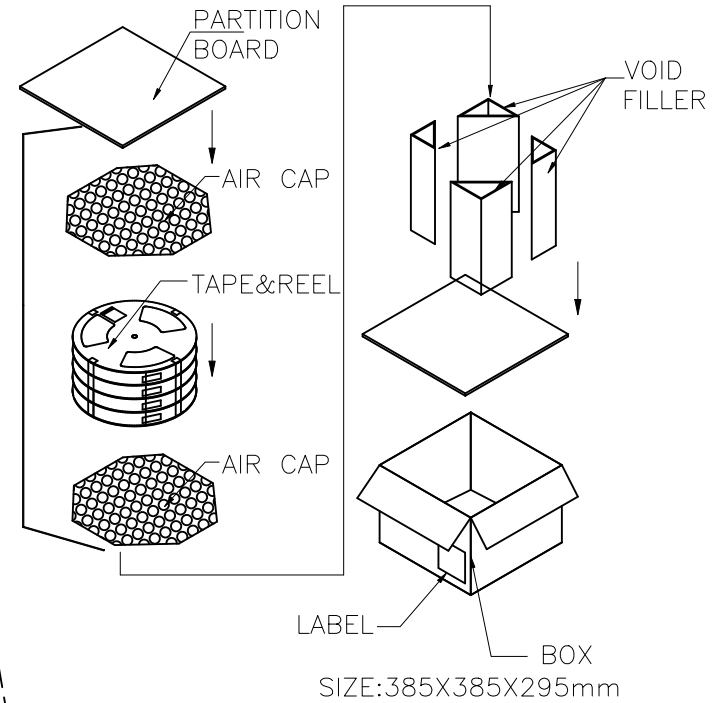


FEEDING DIRECTION →

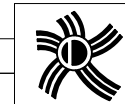


REV.	ECN NO.	LOCATION	DESCRIPTION	DATE	DESIGN
A	NA	NA	INITIAL RELEASE	11/15'23	Jason Huang
B	NA	NA	UPDATE NOTES	12/29'23	Jason Huang

5621D3-013H-XB01
1: EMBOSS WIDTH 44mm, SLOT BACKWARD



1100	5	5500
PCS/ TAPE	REELS/ BOX	PCS/BOX



DEREN			
SHENZHEN DEREN ELECTRONIC CO., LTD			
C-DWG	TY	DATE	TITLE: M.2 GEN5 4.2H KEY_M
DESIGN:	Jason Huang	12/29'23	P/N: 5621D3-013H-XBOX
CHECK:	Bil Lin	12/29'23	SHEET: 4/6
REV. B	APPROVAL: Bil Lin	12/29'23	SCALE: N/A UNIT: mm

DIM	TOL	DIM	TOL
x	±0.30	x	±2'
x	±0.25	x	±1'
xx	±0.15		

EMPTY 10
POCKETS MIN

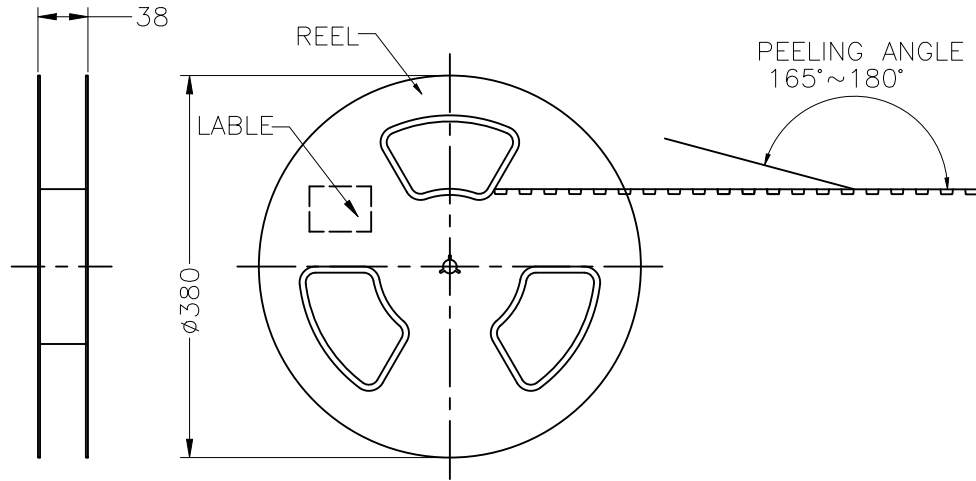
CONNECTORS LOADED

EMPTY 15
POCKETS MIN

400mm MIN

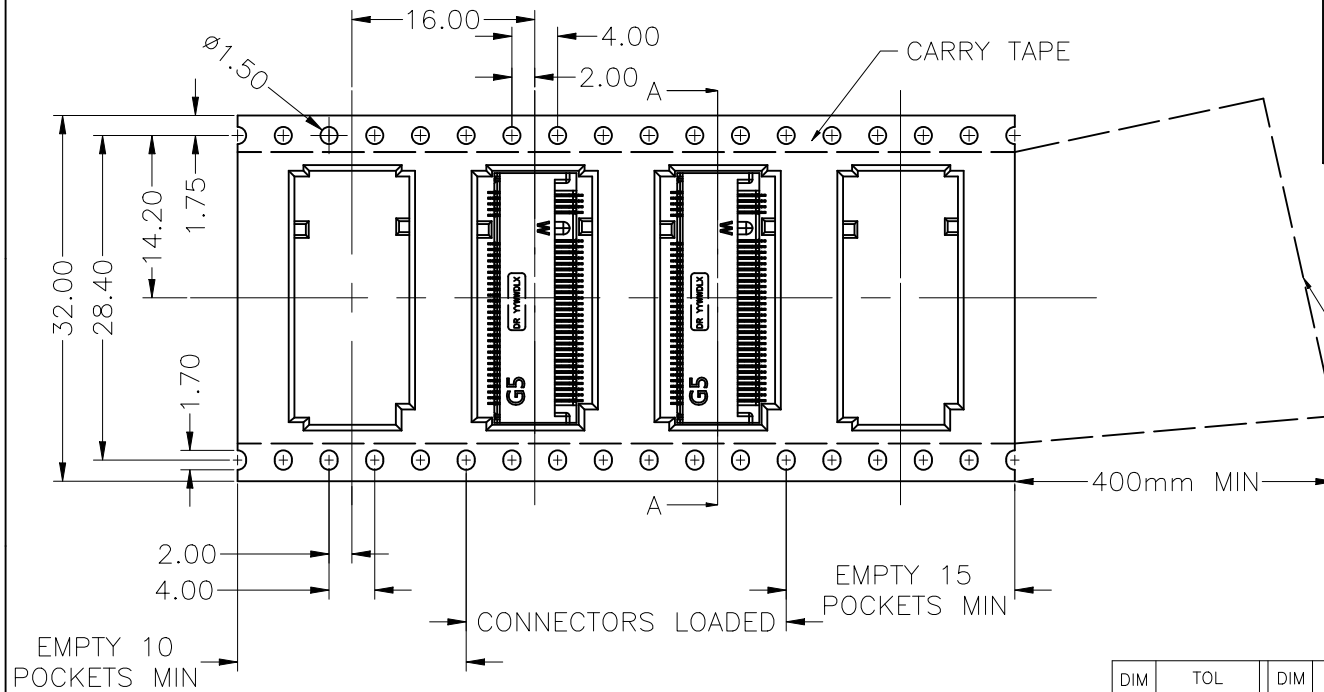
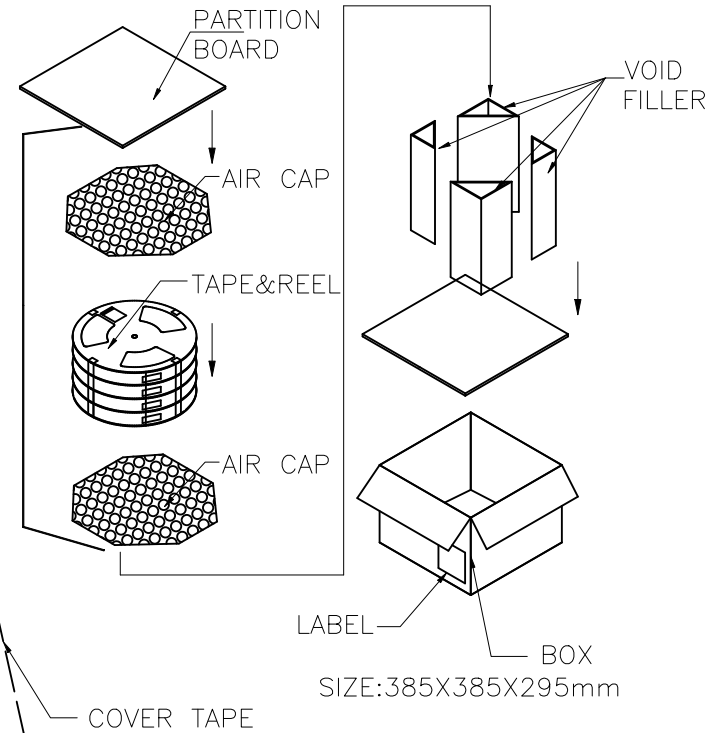


FEEDING DIRECTION →



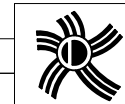
REV.	ECN NO.	LOCATION	DESCRIPTION	DATE	DESIGN
A	NA	NA	INITIAL RELEASE	11/15'23	Jason Huang
B	NA	NA	UPDATE NOTES	12/29'23	Jason Huang

5621D3-013H-XB02
2: EMBOSS WIDTH 32mm, SLOT FORWARD



1100	6	6600
PCS/ TAPE	REELS/ BOX	PCS/BOX

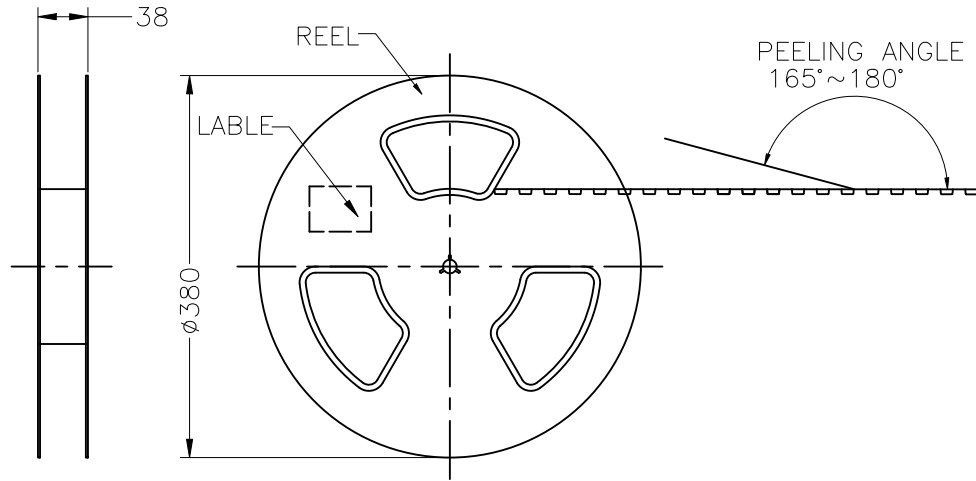
DIM	TOL	DIM	TOL
x	±0.30	x	±2'
x	±0.25	x	±1'
xx	±0.15		



DEREN			
SHENZHEN DEREN ELECTRONIC CO., LTD			
C-DWG	TY	DATE	TITLE: M.2 GEN5 4.2H KEY_M
SC2208136-12	Jason Huang	12/29'23	P/N: 5621D3-013H-XBOX
REV. B	Bil Lin	12/29'23	SHEET: 5/6
APPROVAL: Bil Lin	12/29'23	SCALE: N/A	UNIT: mm

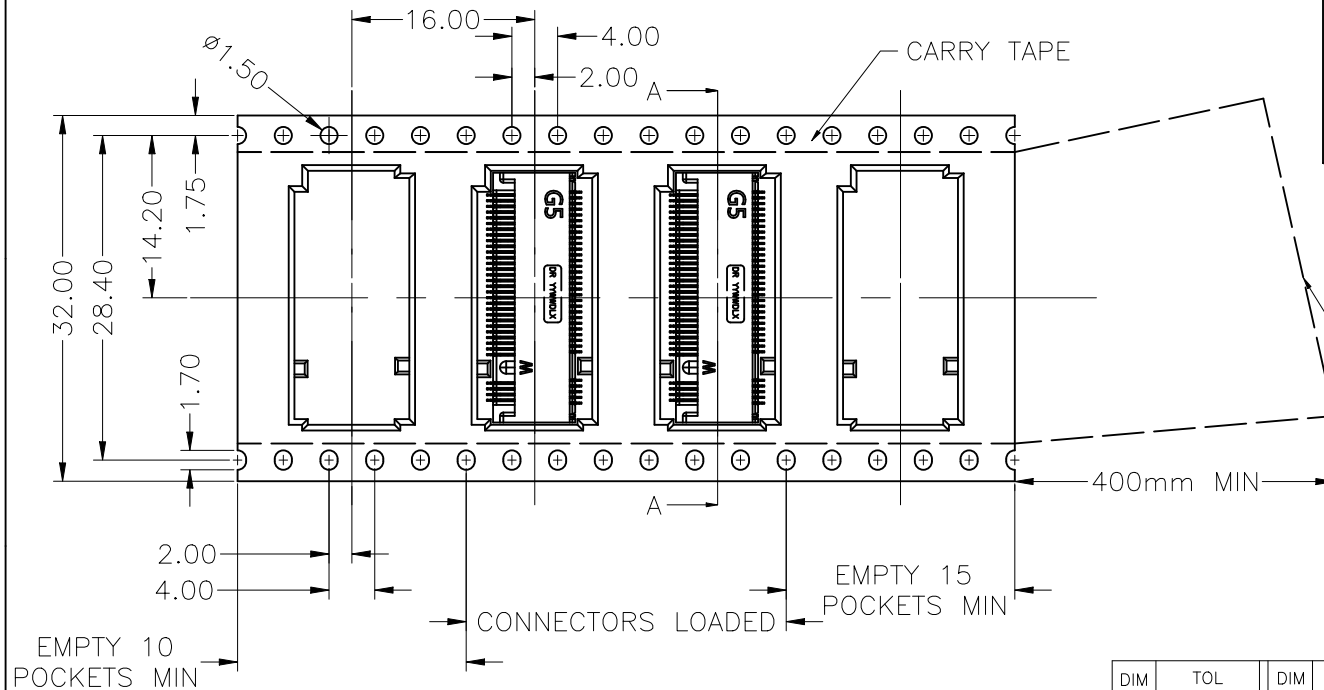
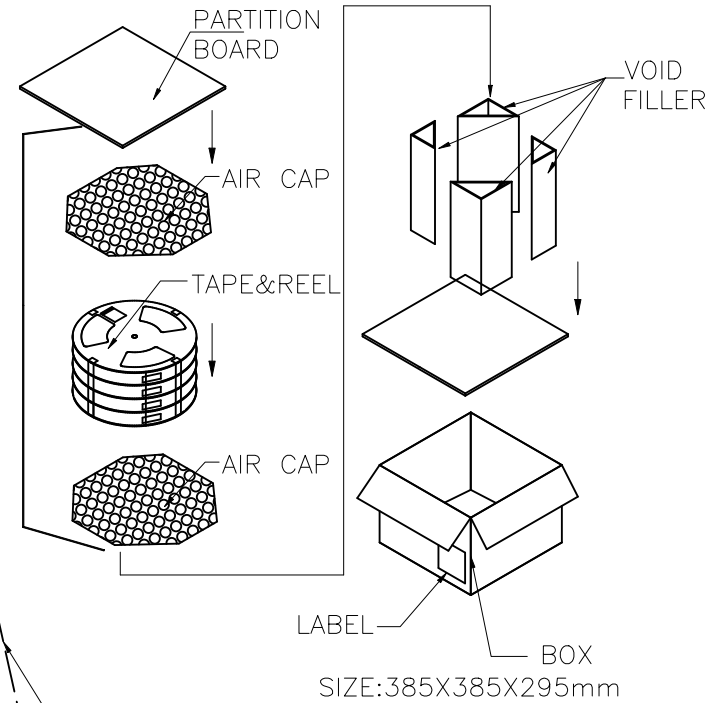


FEEDING DIRECTION →

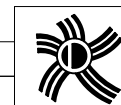


REV.	ECN NO.	LOCATION	DESCRIPTION	DATE	DESIGN
A	NA	NA	INITIAL RELEASE	11/15'23	Jason Huang
B	NA	NA	UPDATE NOTES	12/29'23	Jason Huang

5621D3-013H-XB03
3: EMBOSS WIDTH 32mm, SLOT BACKWARD



1100	6	6600
PCS/ TAPE	REELS/ BOX	PCS/BOX



DEREN
SHENZHEN DEREN ELECTRONIC CO., LTD

DIM	TOL	DIM	TOL	DRAW NO.	DESIGN:	TY	DATE	TITLE:		
x	±0.30	x	±2'						Jason Huang	12/29'23
x	±0.25	x	±1'	SC2208136-12	Bil Lin	12/29'23	P/N: 5621D3-013H-XBOX			
xx	±0.15				Bil Lin	12/29'23	SHEET:	6/6	⊕	
				REV. B	APPROVAL:	Bil Lin	12/29'23	SCALE:	N/A	UNIT: mm