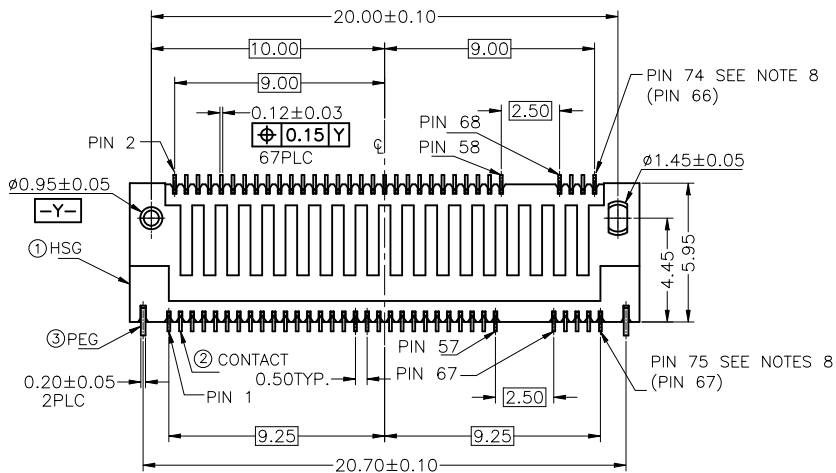
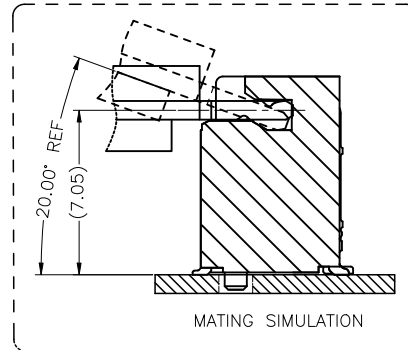
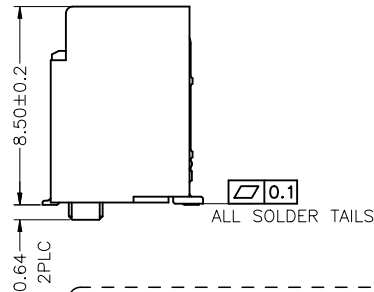
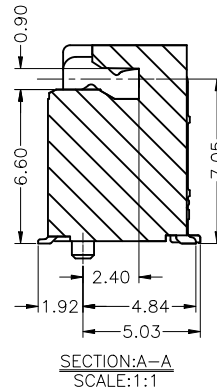
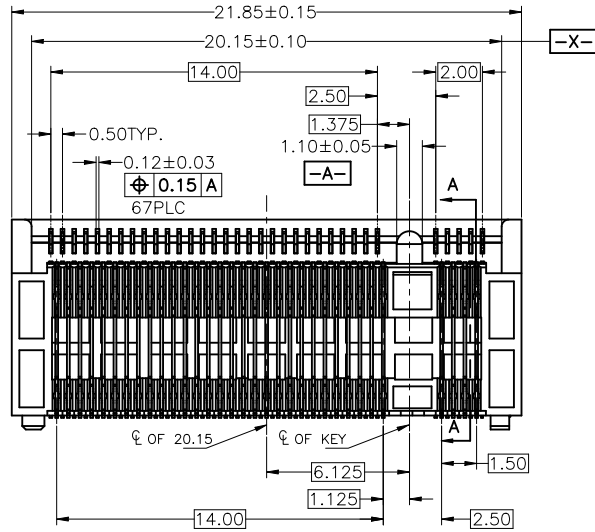
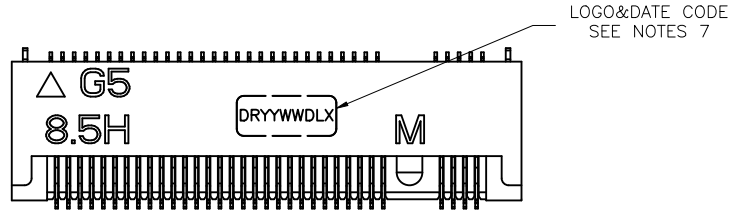


HF

Halogen Free



| REV. | ECN NO. | LOCATION | DESCRIPTION | DATE | DESIGN |
|------|---------|----------|-----------------|----------|-------------|
| A | NA | NA | INITIAL RELEASE | 09/28'23 | XIN LIN |
| B | NA | NA | UPDATE DWG | 11/15'23 | Jason Huang |



NOTES:
PRODUCT MUST MEET CONTROLLED SUBSTANCES SPEC. ROHS 2.0

- MATERIAL:
 - HOUSING: LCP , UL94V-0; COLOR: BLACK OR WHITE
 - CONTACTS: PHOSPHOR BRONZE
 - FLOATING PEG: STAINLESS STEEL
 - CETER PLATE: STAINLESS STEEL
- FINISH:
 - CONTACT:
 - 50u" MIN NICKEL UNDERPLATED ALL OVER, Au GF PLATING ON SOLDER TAIL. GOLD PLATING (THICKNESS SEE NOTE 10) ON CONTACT AREA.
 - FLOATING PEG:
 - 100u" MIN. MATTE-TIN. 50u" MIN. NICKEL UNDERPLATING.
- REFLOW SOLDER CAPABLE TO 260°C 10SEC.
- ELECTRICAL CHARACTERISTICS:
 - CONTACT CURRENT RATING: 0.5 AMPERE MAX, PER PIN,
 - VOLTAGE RATING: 50V AC.
 - INSULATION RESISTANCE: 500M OHM MIN.(INITIAL), 100M OHM MIN.(FINAL), AT 500V DC, FOR 1 MINUTE.
 - DIELECTRIC WITHSTANDING VOLTAGE: 300V AC RMS AT 60HZ,
 - CONTACT RESISTANCE: 55m OHM MAX(INITIAL) ΔR 20m OHM MAX(FINAL)
- OPERATION TEMPERATURE: -40°C TO +80°C
- MATING FORCE: 2.04Kgf MAX.
DURABILITY: 60 CYCLES
- DATE CODE YYWDLX
 - YY: YEAR (09: 2009)
 - WW: WEEK (25: THE 25TH WEEK)
 - D: DAY (1~7: SUNDAY~SATURDAY)
 - L: LINE NUMBER OF ASSEMBLY (A: LINE A)
 - X: MANUFACTURE CODE
- CONNECTOR ACTUAL PIN QUANTITY IS 67, AS THE KEY TAKING OUT 8 PINS.
- RECOMMENDED STENCIL THICKNESS 0.12MM MIN
- PART NUMBER DESCRIPTION: 5621D3-015 H - X B 0 X

- PACKING CODE:
- EMBOSS WIDTH 44mm, SLOT FORWARD
 - EMBOSS WIDTH 44mm, SLOT BACKWARD
 - EMBOSS WIDTH 32mm, SLOT FORWARD
 - EMBOSS WIDTH 32mm, SLOT BACKWARD
- COLOR:
- BLACK WITH DR LOGO
 - BLACK WITHOUT DR LOGO
 - WHITE WITH DR LOGO
 - WHITE WITHOUT DR LOGO
- KEY TYPE: B: KEY M
- PLATING CODE:
- GF
 - Au5u"
 - Au10u"
 - Au15u"
 - Au30u"
- HALOGEN CODE: H:HALOGEN FREE

| DIM | TOL | DIM | TOL |
|-----|-------|-----|-----|
| X. | ±0.30 | X. | ±2' |
| .X | ±0.25 | .X | ±1' |
| .XX | ±0.15 | | |



DEREN
SHENZHEN DEREN ELECTRONIC CO., LTD

| C-DWG | TY | DATE | TITLE |
|-------------|-------------|----------|-----------------------|
| SC2208259-6 | Jason Huang | 11/15'23 | M.2 GEN5 8.5H KEY-M |
| DESIGN: | Bill Lin | 11/15'23 | P/N: 5621D3-015H-XBOX |
| CHECK: | Bill Lin | 11/15'23 | SHEET: 1/6 |
| APPROVAL: | Bill Lin | 11/15'23 | SCALE: N/A UNIT: mm |

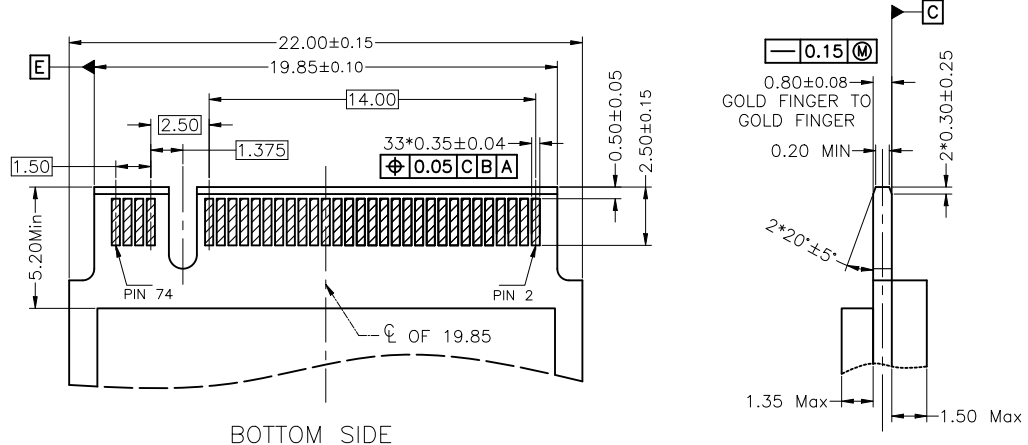
HF

Halogen Free

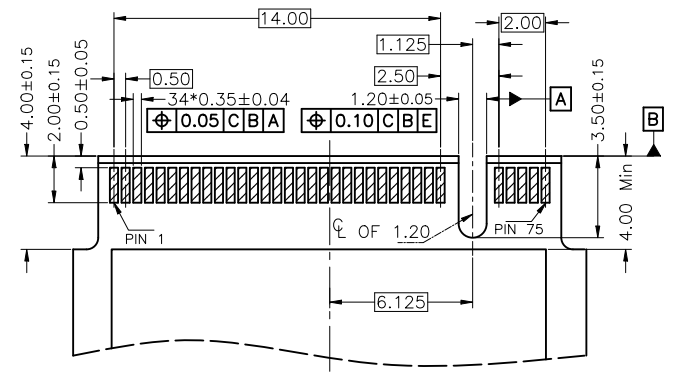


PLUG PCB

| REV. | ECN NO. | LOCATION | DESCRIPTION | DATE | DESIGN |
|------|---------|----------|-----------------|----------|-------------|
| A | NA | NA | INITIAL RELEASE | 09/28'23 | XIN LIN |
| B | NA | NA | UPDATE DWG | 11/15'23 | Jason Huang |

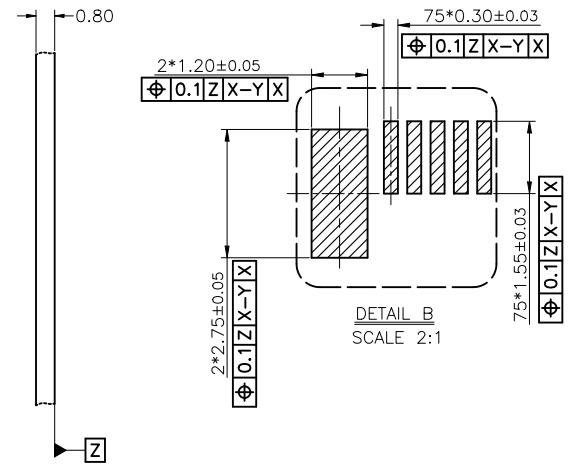
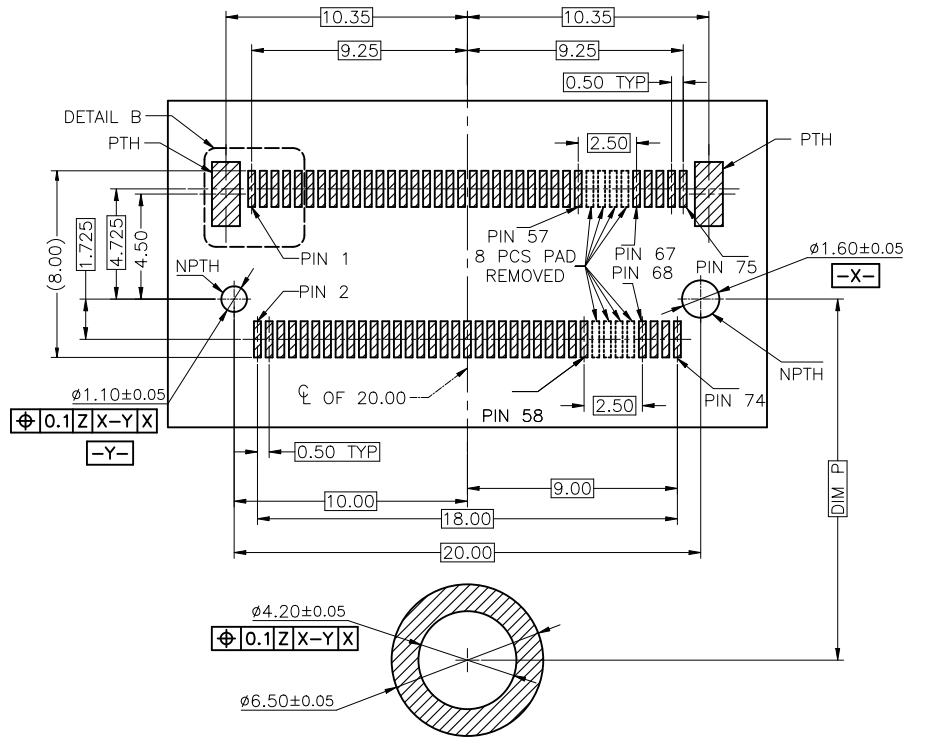


BOTTOM SIDE



TOP SIDE


RECOMMENDED PCB LAYOUT(TOP VIEW)
DEFAULT TOLERANCE ±0.05mm

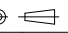


DETAIL B
SCALE 2:1

| | |
|-------------|--------|
| 22110 | 107.60 |
| 2280 | 77.60 |
| 2260 | 57.60 |
| 2242 | 39.60 |
| 2230 | 27.60 |
| 3042 | 39.60 |
| 3030 | 27.60 |
| MODULE TYPE | DIM P |

| DIM | TOL | DIM | TOL |
|-----|-------|-----|-----|
| X. | ±0.30 | X. | ±2' |
| .X | ±0.25 | .X | ±1' |
| .XX | ±0.15 | | |

 **DEREN**
SHENZHEN DEREN ELECTRONIC CO., LTD

| | | | |
|---------------------|----------|-----------------------|---|
| C-DWG | TY | DATE | TITLE: M.2 GEN5 8.5H KEY-M |
| DESIGN: Jason Huang | 11/15'23 | P/N: 5621D3-015H-XBOX | |
| CHECK: Bill Lin | 11/15'23 | SHEET: 2/6 |  |
| APPROVAL: Bill Lin | 11/15'23 | SCALE: N/A | UNIT: mm |

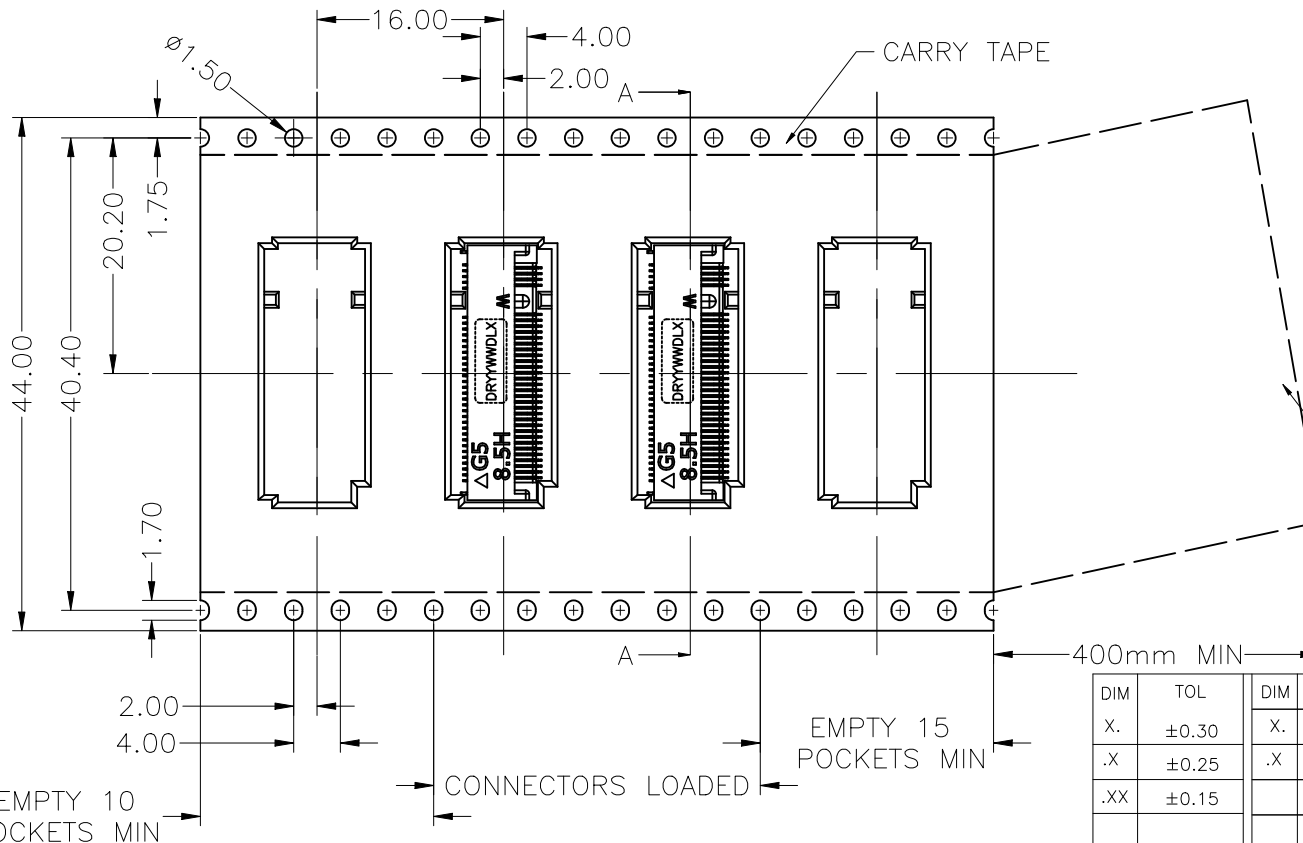
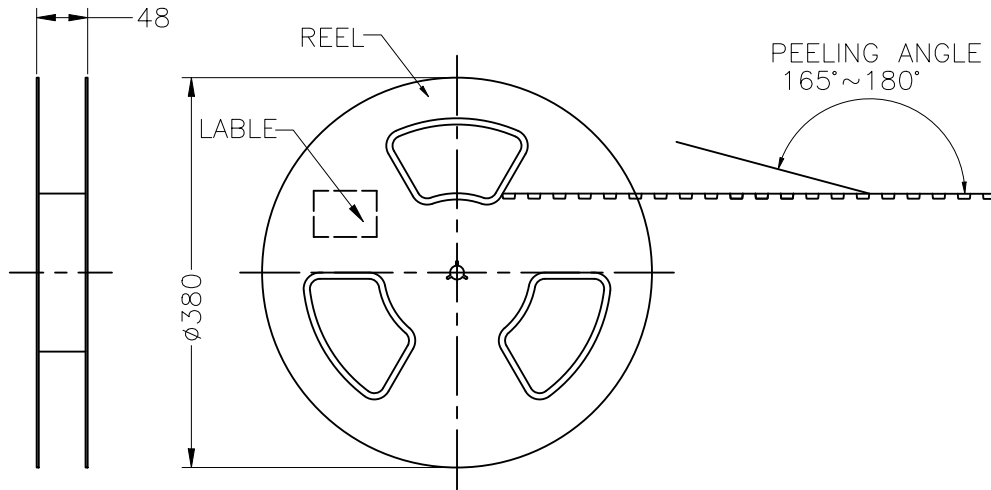
REV. B

HF

Halogen Free



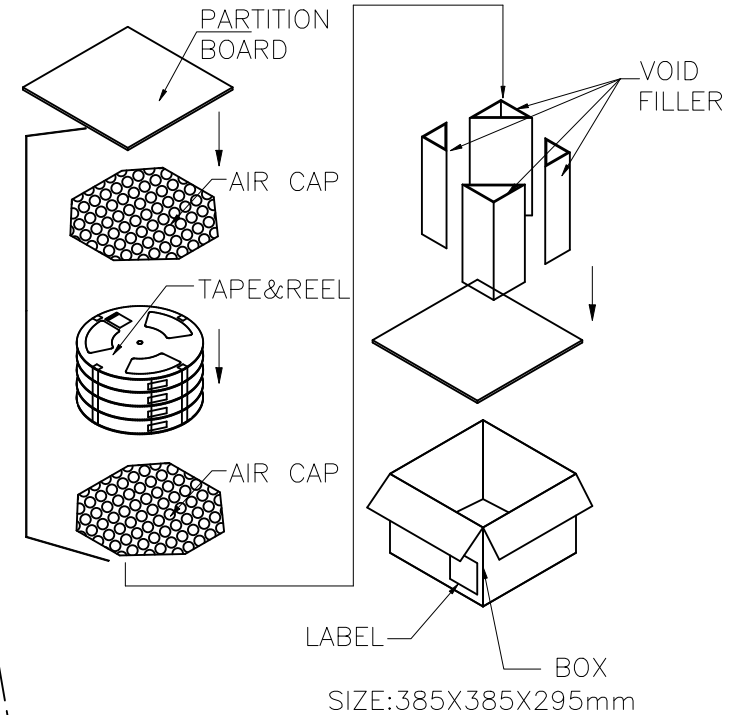
FEEDING DIRECTION →



| REV. | ECN NO. | LOCATION | DESCRIPTION | DATE | DESIGN |
|------|---------|----------|-----------------|----------|-------------|
| A | NA | NA | INITIAL RELEASE | 09/28'23 | XIN LIN |
| B | NA | NA | UPDATE DWG | 11/15'23 | Jason Huang |

5621D3-015H-XB01

1: EMBOSS WIDTH 44mm, SLOT FORWARD



| | | |
|----------|-----------|---------|
| 500 | 5 | 2500 |
| PCS/TAPE | REELS/BOX | PCS/BOX |

| | | | | | |
|--------|---------------------|----------|-----------------------|------------------------------------|--|
| | DEREN | | | SHENZHEN DEREN ELECTRONIC CO., LTD | |
| | C-DWG | TY | DATE | TITLE: M.2 GEN5 8.5H KEY-M | |
| | DESIGN: Jason Huang | 11/15'23 | P/N: 5621D3-015H-XBOX | | |
| | CHECK: Bill Lin | 11/15'23 | SHEET: 3/6 | | |
| REV: B | APPROVAL: Bill Lin | 11/15'23 | SCALE: N/A | UNIT: mm | |

| DIM | TOL | DIM | TOL |
|-----|-------|-----|-----|
| X. | ±0.30 | X. | ±2' |
| .X | ±0.25 | .X | ±1' |
| .XX | ±0.15 | | |

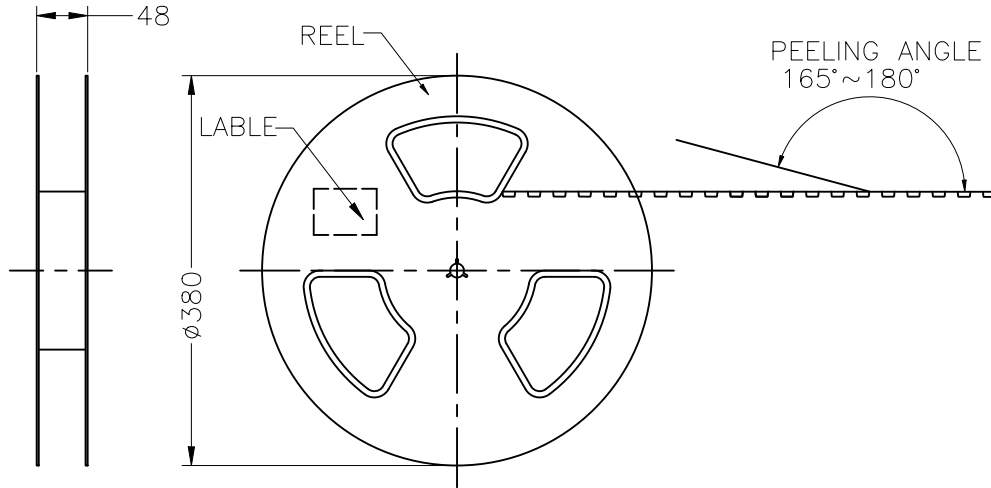
DRAW NO. SC2208259-6

HF

Halogen Free



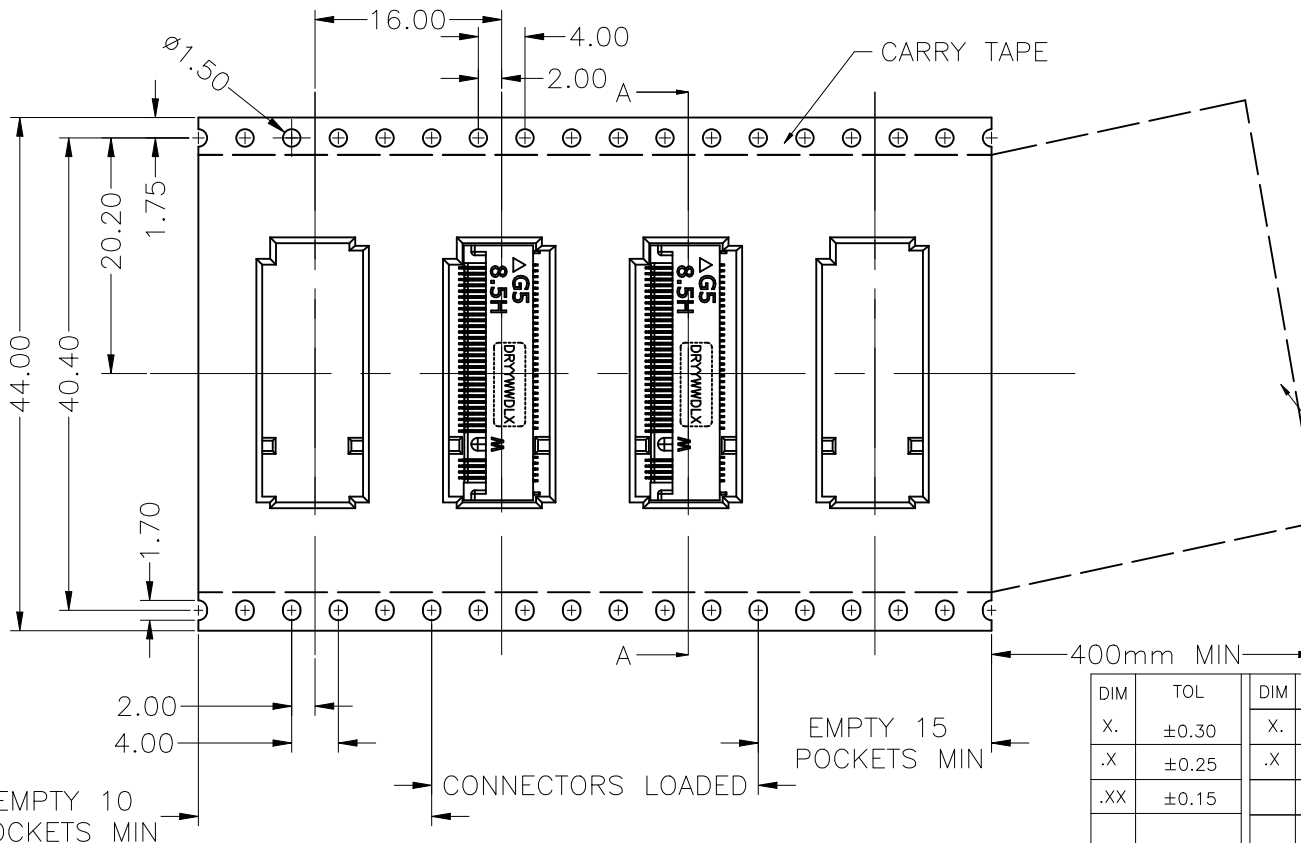
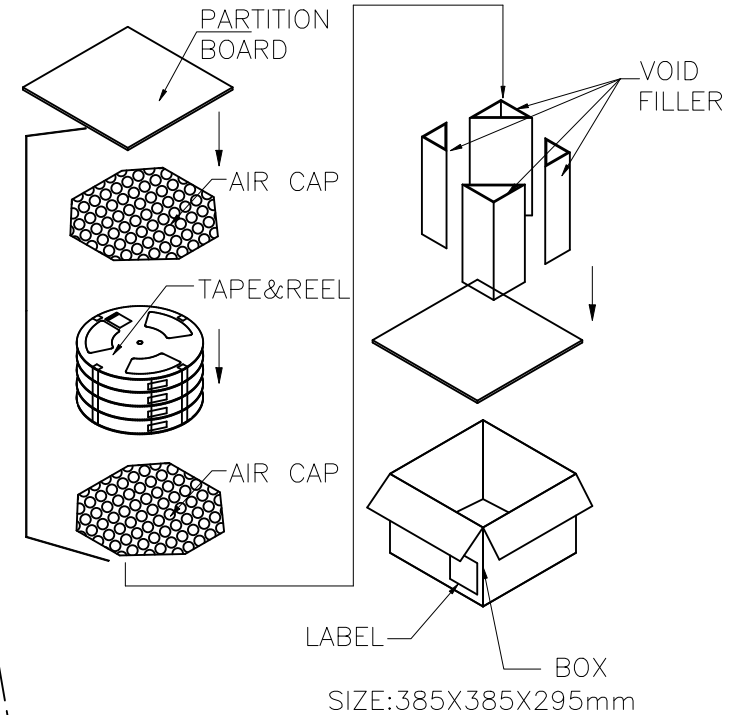
FEEDING DIRECTION →



| REV. | ECN NO. | LOCATION | DESCRIPTION | DATE | DESIGN |
|------|---------|----------|-----------------|----------|-------------|
| A | NA | NA | INITIAL RELEASE | 09/28'23 | XIN LIN |
| B | NA | NA | UPDATE DWG | 11/15'23 | Jason Huang |

5621D3-015H-XB0R

R: EMBOSS WIDTH 44mm, SLOT BACKWARD



COVER TAPE

| | | |
|----------|-----------|---------|
| 500 | 5 | 2500 |
| PCS/TAPE | REELS/BOX | PCS/BOX |

| DIM | TOL | DIM | TOL |
|-----|-------|-----|-----|
| .X | ±0.30 | .X | ±2' |
| .X | ±0.25 | .X | ±1' |
| .XX | ±0.15 | | |



DEREN

SHENZHEN DEREN ELECTRONIC CO., LTD

| | | | |
|---------------------|----------|-----------------------|----------------------------|
| C-DWG | TY | DATE | TITLE: M.2 GEN5 8.5H KEY-M |
| DESIGN: Jason Huang | 11/15'23 | P/N: 5621D3-015H-XBOX | |
| CHECK: Bill Lin | 11/15'23 | SHEET: 4/6 | |
| APPROVAL: Bill Lin | 11/15'23 | SCALE: N/A | UNIT: mm |

EMPTY 10 POCKETS MIN

EMPTY 15 POCKETS MIN

CONNECTORS LOADED

DRAW NO. SC2208259-6

REV. B

APPROVAL: Bill Lin

11/15'23

SCALE: N/A

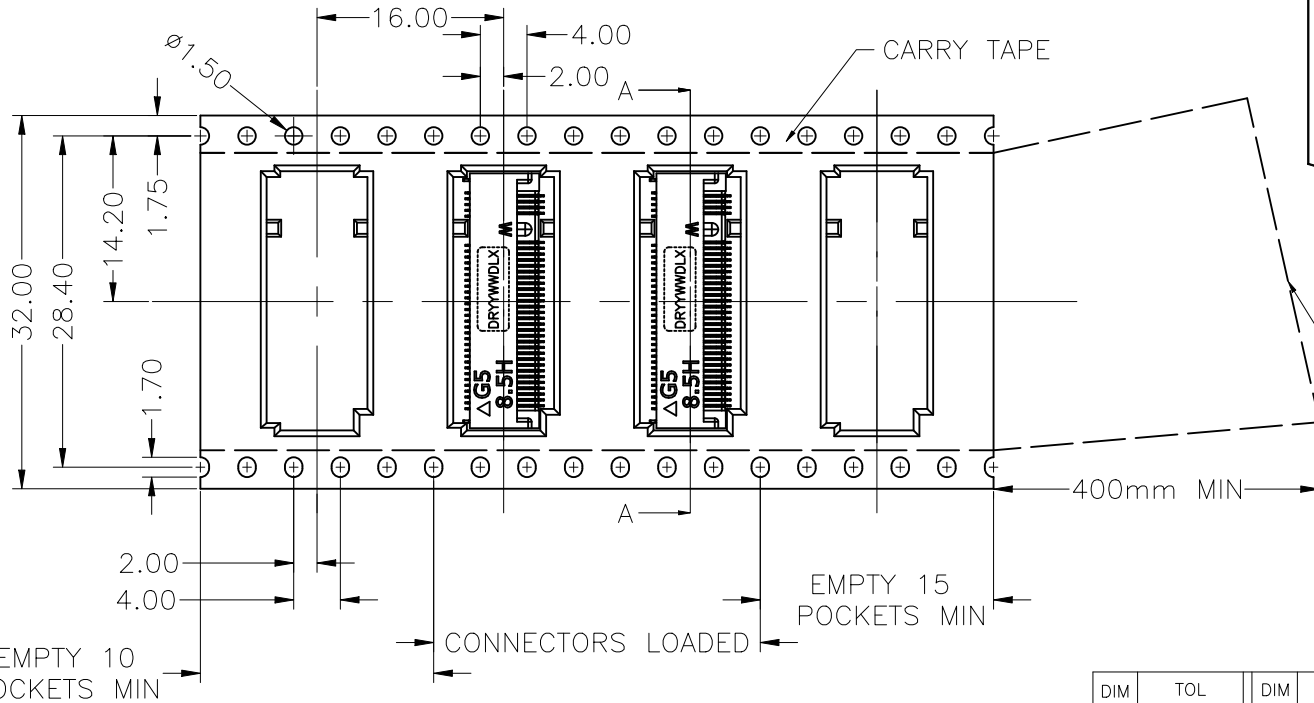
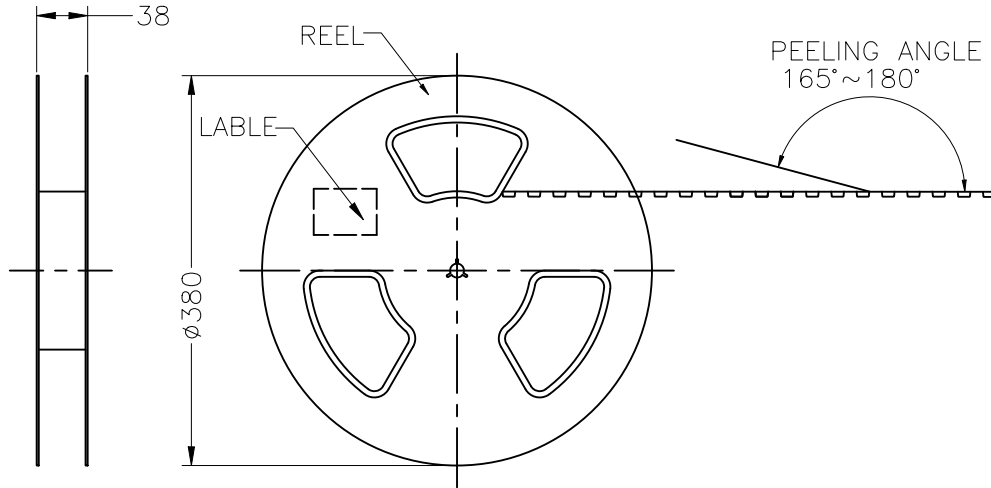
UNIT: mm

HF

Halogen Free

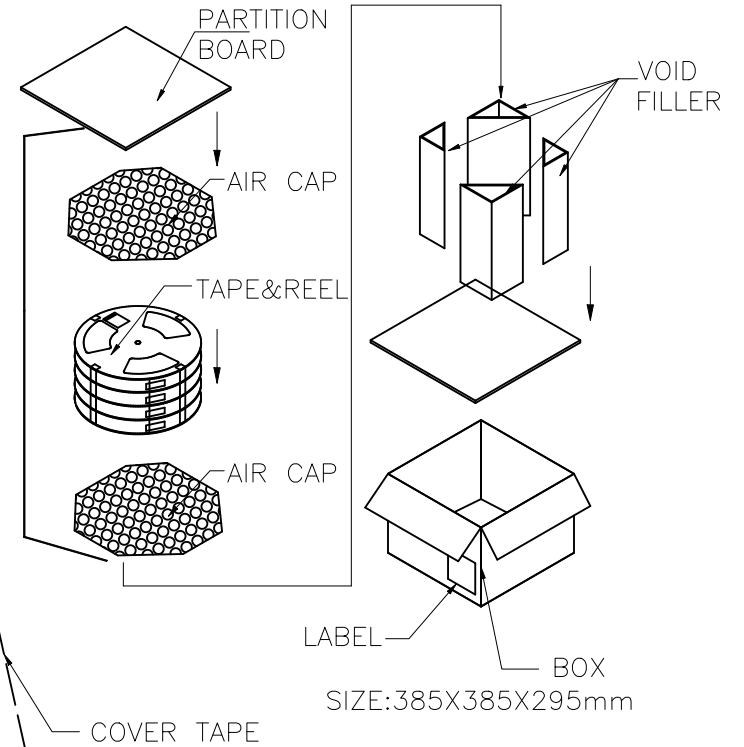


FEEDING DIRECTION →



| REV. | ECN NO. | LOCATION | DESCRIPTION | DATE | DESIGN |
|------|---------|----------|-----------------|----------|-------------|
| A | NA | NA | INITIAL RELEASE | 09/28'23 | XIN LIN |
| B | NA | NA | UPDATE DWG | 11/15'23 | Jason Huang |

5621D3-015H-XB02
 2: EMBOSS WIDTH 32mm, SLOT FORWARD



| | | |
|--------------|---------------|---------|
| 500 | 6 | 3000 |
| PCS/ TAPE | REELS/ BOX | PCS/BOX |

EMPTY 10
POCKETS MIN

CONNECTORS LOADED

EMPTY 15
POCKETS MIN

| DIM | TOL | DIM | TOL |
|-----|-------|-----|-----|
| X. | ±0.30 | X. | ±2' |
| .X | ±0.25 | .X | ±1' |
| .XX | ±0.15 | | |



DEREN

SHENZHEN DEREN ELECTRONIC CO., LTD

| | | | |
|---------------------|----------|-----------------------|-------------------------------|
| C-DWG | TY | DATE | TITLE: M.2 GEN5 8.5H KEY-M |
| DESIGN: Jason Huang | 11/15'23 | P/N: 5621D3-015H-XBOX | |
| CHECK: Bill Lin | 11/15'23 | SHEET: 5/6 | |
| APPROVAL: Bill Lin | 11/15'23 | SCALE: N/A | UNIT: mm |

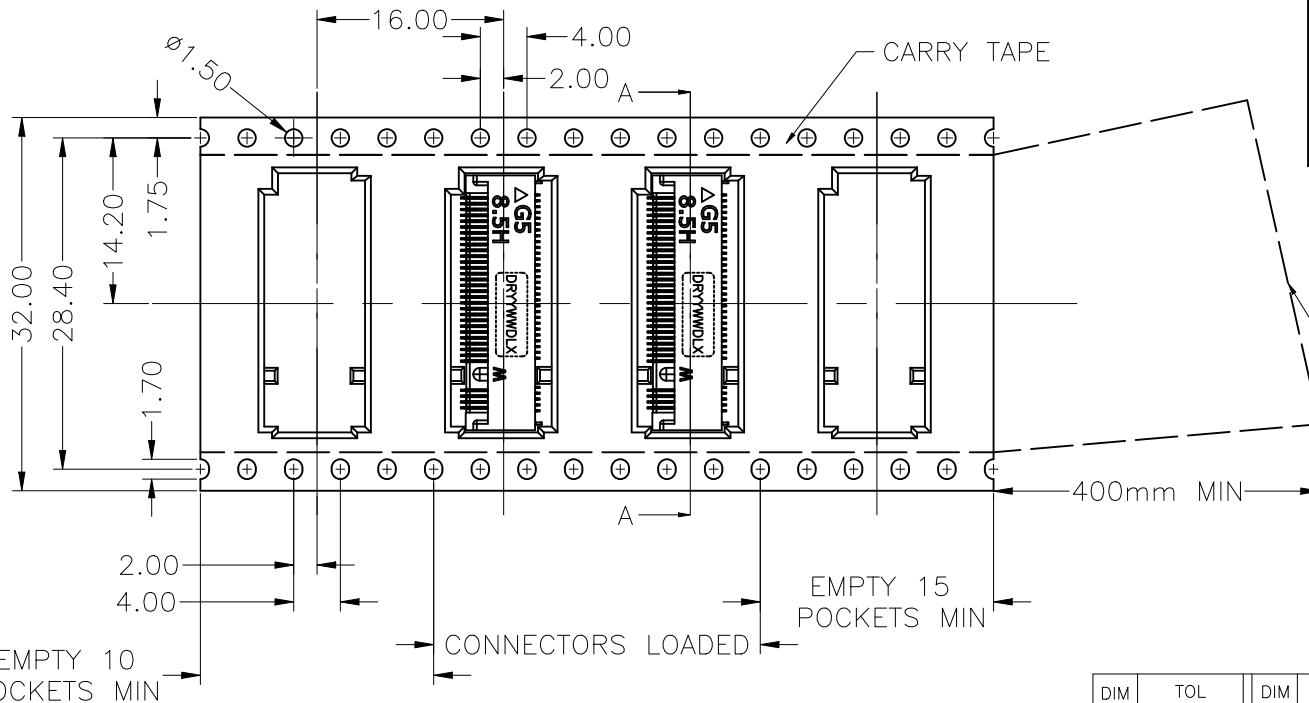
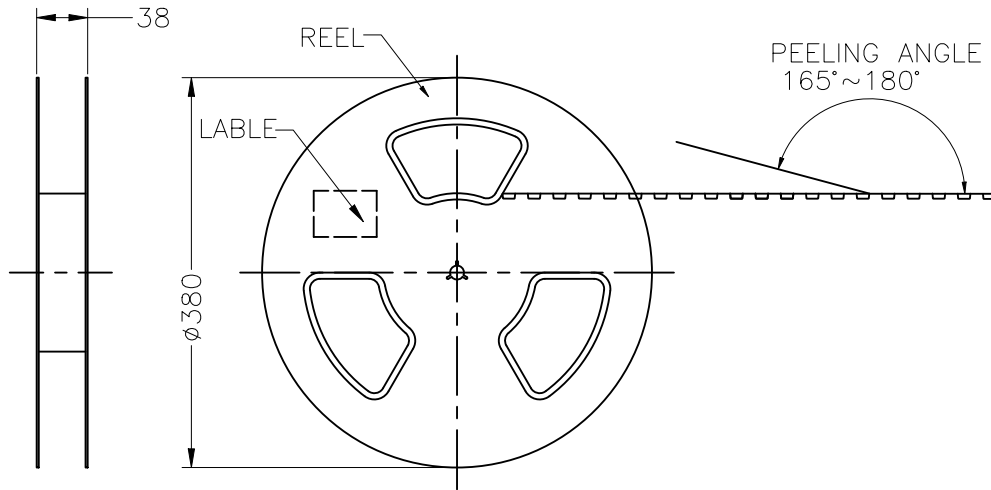
DRAW NO.
SC2208259-6

HF

Halogen Free



FEEDING DIRECTION →



EMPTY 10
POCKETS MIN

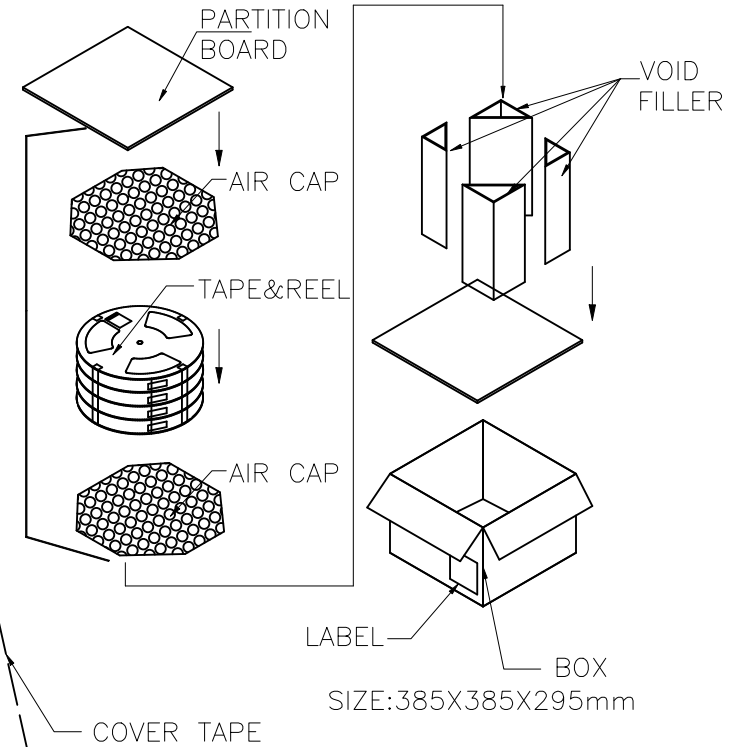
CONNECTORS LOADED

EMPTY 15
POCKETS MIN

| REV. | ECN NO. | LOCATION | DESCRIPTION | DATE | DESIGN |
|------|---------|----------|-----------------|----------|-------------|
| A | NA | NA | INITIAL RELEASE | 09/28'23 | XIN LIN |
| B | NA | NA | UPDATE DWG | 11/15'23 | Jason Huang |

5621D3-015H-XB03

3: EMBOSS WIDTH 32mm, SLOT BACKWARD



BOX
SIZE: 385X385X295mm

| | | |
|--------------|---------------|---------|
| 500 | 6 | 3000 |
| PCS/ TAPE | REELS/ BOX | PCS/BOX |

| DIM | TOL | DIM | TOL |
|-----|-------|-----|-----|
| .X | ±0.30 | .X | ±2' |
| .X | ±0.25 | .X | ±1' |
| .XX | ±0.15 | | |



DEREN

SHENZHEN DEREN ELECTRONIC CO., LTD

| | | | |
|---------------------|----------|-----------------------|-------------------------------|
| C-DWG | TY | DATE | TITLE: M.2 GEN5 8.5H KEY-M |
| DESIGN: Jason Huang | 11/15'23 | P/N: 5621D3-015H-XBOX | |
| CHECK: Bill Lin | 11/15'23 | SHEET: 6/6 | |
| APPROVAL: Bill Lin | 11/15'23 | SCALE: N/A | UNIT: mm |

DRAW NO.
SC2208259-6

REV. B