



A

B

C

D

E

A

B

C

D

E

REV.	ECN NO.	LOCATION	DESCRIPTION	DATE	DESIGN
A			INITIAL RELEASE	2023.09.11	Chen
B			THE GROUNDING TERMINAL OF 2Pin COMBINATION IS CHANGED TO 1Pin	2024.06.14	Chen

NOTES:

PRODUCT MEETS CONTROLLED SUBSTANCES SPEC. DEREN PER WI-PB-S-010 ROHS 2.0

1. MATERIAL:

- 1.1 HOUSING:HIGH TEMPERATURE PLASTIC, UL94V-0; COLOR: BLACK
- 1.2 OTHER CONTACT:COPPER ALLOY
- 1.3 EAR:HIGH TEMPERATURE PLASTIC, UL94V-0; COLOR: BLACK
- 1.4 GND CONTACT:COPPER ALLOY
- 1.5 HOOK:STAINLESS STEEL
- 1.6 GROUND PLATE:STAINLESS STEEL

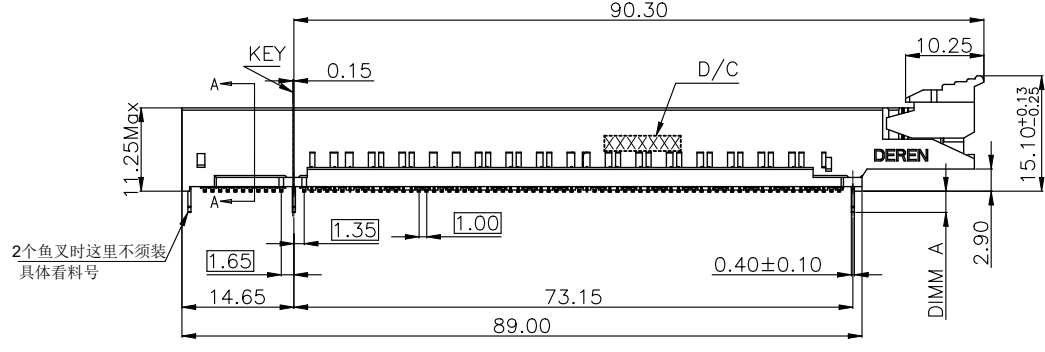
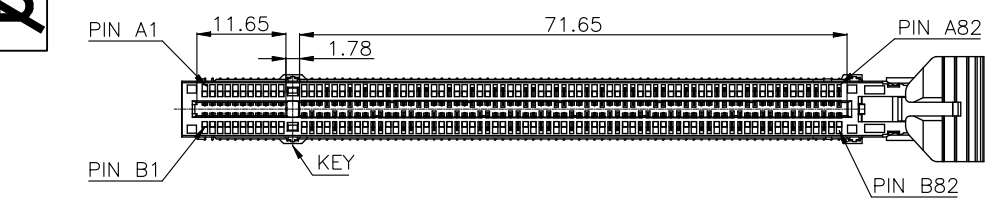
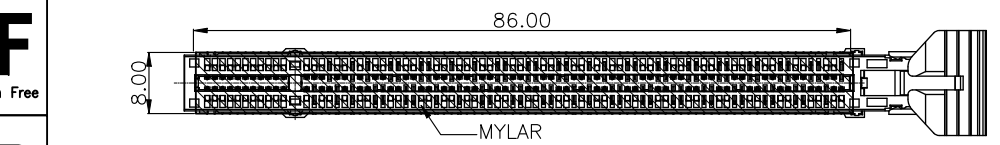
2. FINISH:

- 2.1 OTHER CONTACT:GOLD PLATING(SEE PART NUMBER) ON CONTACT AREA. 2.54um[100u"] MIN. MATTE-TIN PLATING ON SOLDER TAIL AREA. 1.27um[50u"] MIN. NICKEL UNDERPLATING OVER ALL.
 - 2.2 GND CONTACT:0.076um[3u"]Au PLATING ON CONTACT AREA. 2.54um[100u"] MIN. MATTE-TIN PLATING ON SOLDER TAIL AREA. 1.27um[50u"] MIN. NICKEL UNDERPLATING OVERALL.
 - 2.3 HOOK:1.27um[50u"] MIN. NICKEL UNDERPLATING OVER ALL,100u" MATTE TIN PLATING OVER NICKEL AT TAIL.
 - 2.4 SHELL:30u"MIN. NICKEL PLATING OVERALL
- 3.RECOMMENDED PROCESS:IR REFLOW 260°±5°,3~5s
 4.DATE CODE : YYWDLX (Y: YEAR, WW: WEEK, D: DAY, L: PRODUCTION LINE CODE, X: MANUFACTURE CODE)
 5.RECOMMANDED STRNCIL THICKNESS 0.15mm.

6.PART NUMBER DESCRIPTION:

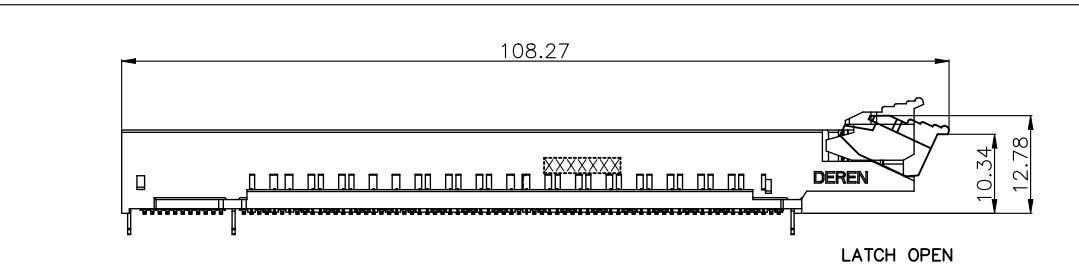
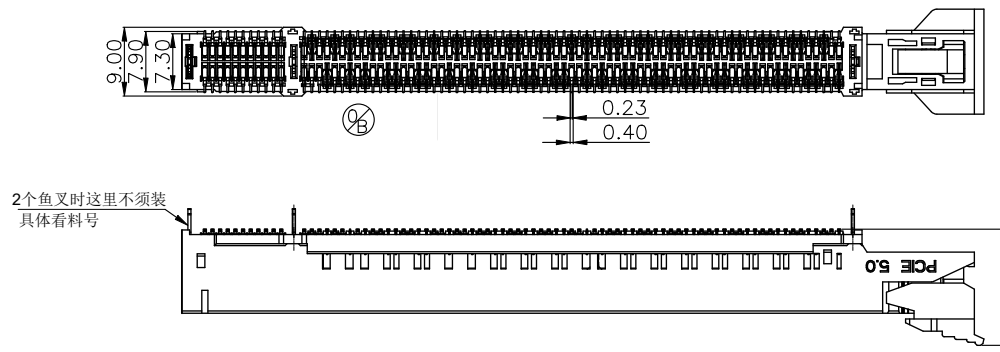
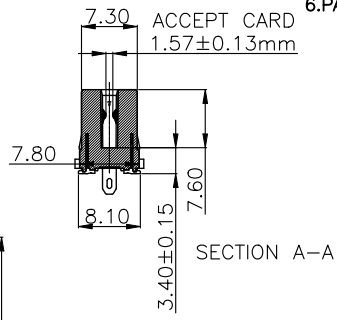
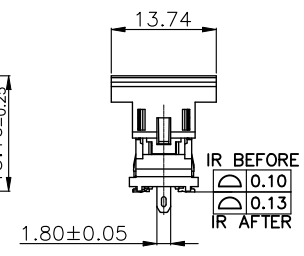
564ZD4 -018H * * * * -**

- CUSTOMER CODE:
- PACKING CODE: 1:TRAY 3:HARD TRAY
- HOUSING COLOR: 1:BLACK 2:WITHE 3.BLUE
- RIDGE&POS CODE:
- 4.HOOK&DIP2.78(2plc)
- 5.HOOK&DIP1.80(3plc)
- PLATING CODE: 1: G/F 2: 15u" Min 3: 30u" Min
- HALOGEN CODE: H: HALOGEN FREE



2个鱼叉时这里不须装 具体看料号

2个鱼叉时这里不须装 具体看料号



DIM	TOL	DIM	TOL
x.	±0.30	x.	±2'
.x	±0.25	.x	±1'
.xx	±0.20		



DEREN

SHENZHEN DEREN ELECTRONIC CO.,LTD

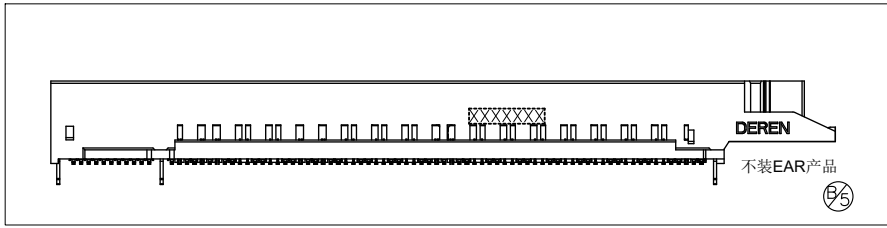
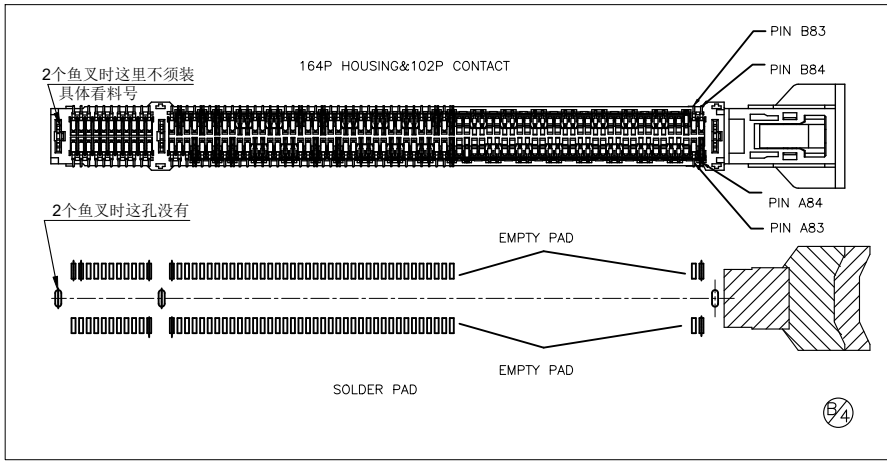
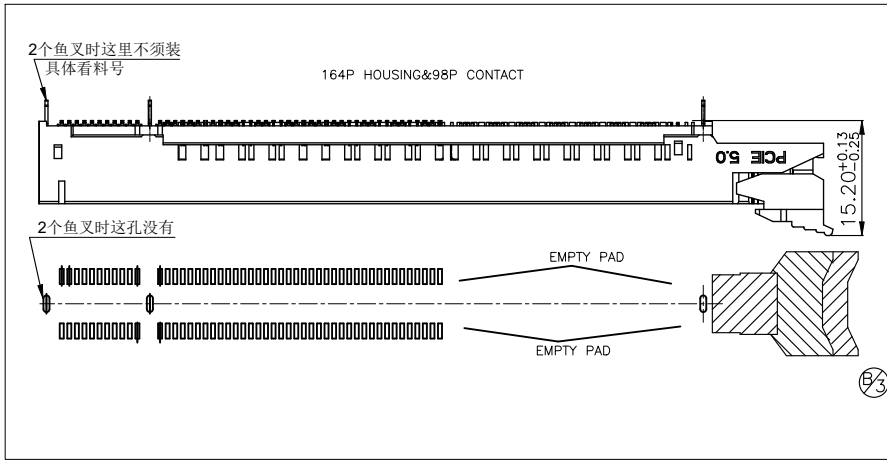
C-DWG	TY	DATE	TITLE: PCI-E 5.0 SMT TYPE 164PIN WITH EAR&DIP HOOK
DESIGN: Chen	2024.06.14	P/N: SEE TABLE	
CHECK: Bill.Lin	2024.06.14	SHEET: 1/5	
REV. B	APPROVAL: Smark.Huo	2024.06.14	SCALE: 1:1 UNIT: mm

HF
Halogen Free



PIN DEFINITION
GND:GND CONTACT
GROUND&OTHER:OTHER CONTACT

Side B		Side A	
Pin#	Name	Pin#	Name
1	+12V	1	PRSNT1#
2	+12V	2	+12V
3	+12V	3	+12V
4	GROUND	4	GROUND
5	SMBCLK	5	JTAG2
6	SM0DAT	6	JTAG3
7	GROUND	7	JTAG4
8	3.3V	8	JTAG5
9	JTAG1	9	+3.3V
10	+3.3Vaux	10	+3.3V
11	WAKE#	11	PERST#
12	CLKREQ#	12	GROUND
13	GND	13	REFCLK+
14	PETp0	14	REFCLK-
15	PETn0	15	GND
16	GND	16	PERp0
17	PRSNT2#	17	PERn0
18	GND	18	GND
19	PETp1	19	MFG
20	PETn1	20	GND
21	GND	21	PERp1
22	GND	22	PERn1
23	PETp2	23	GND
24	PETn2	24	GND
25	GND	25	PERp2
26	GND	26	PERn2
27	PETp3	27	GND
28	PETn3	28	GND
29	GND	29	PERp3
30	FWRBK#	30	PERn3
31	PRSNT2#	31	GND
32	GND	32	RSVD
33	PETp4	33	RSVD
34	PETn4	34	GND
35	GND	35	PERp4
36	GND	36	PERn4
37	PETp5	37	GND
38	PETn5	38	GND
39	GND	39	PERp5
40	GND	40	PERn5
41	PETp6	41	GND
42	PETn6	42	GND
43	GND	43	PERp6
44	GND	44	PERn6
45	PETp7	45	GND
46	PETn7	46	GND
47	GND	47	PERp7
48	PRSNT2#	48	PERn7
49	GND	49	GND
50	PETp8	50	RSVD
51	PETn8	51	GND
52	GND	52	PERp8
53	GND	53	PERn8
54	PETp9	54	GND
55	PETn9	55	GND
56	GND	56	PERp9
57	GND	57	PERn9
58	PETp10	58	GND
59	PETn10	59	GND
60	GND	60	PERp10
61	GND	61	PERn10
62	PETp11	62	GND
63	PETn11	63	GND
64	GND	64	PERp11
65	GND	65	PERn11
66	PETp12	66	GND
67	PETn12	67	GND
68	GND	68	PERp12
69	GND	69	PERn12
70	PETp13	70	GND
71	PETn13	71	GND
72	GND	72	PERp13
73	GND	73	PERn13
74	PETp14	74	GND
75	PETn14	75	GND
76	GND	76	PERp14
77	GND	77	PERn14
78	PETp15	78	GND
79	PETn15	79	GND
80	GND	80	PERp15
81	PRSNT2#	81	PERn15
82	RSVD	82	GND



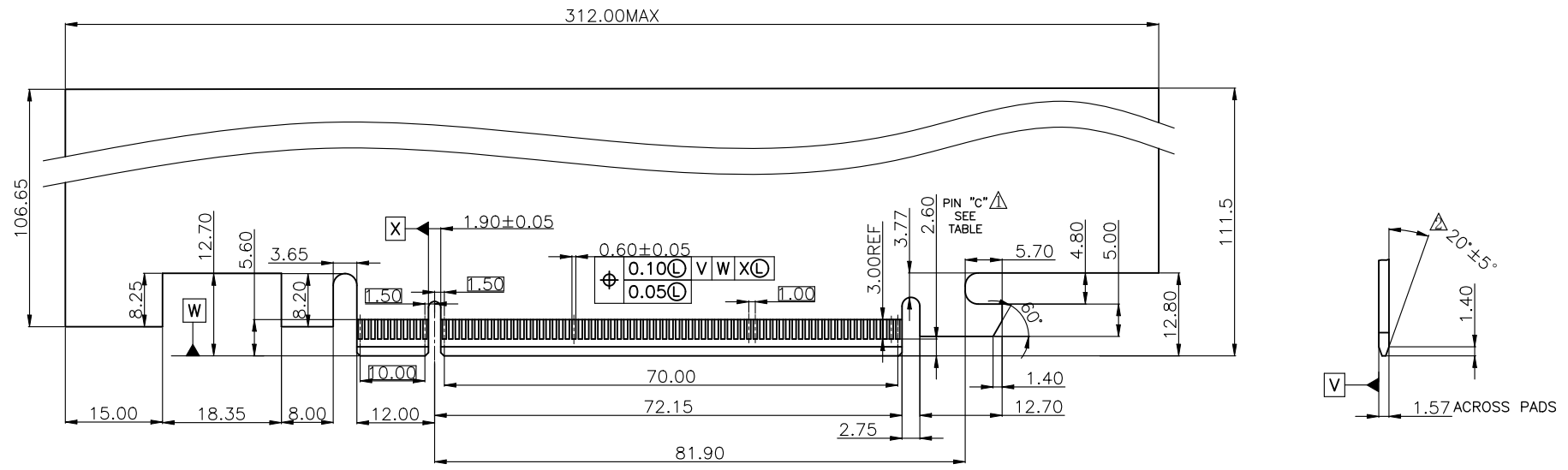
P/N:	DIM A	鱼叉个数	W/O EAR	POS
564ZD4-018H2411	2.78	2	WITH EAR	164P CONTACT
564ZD4-018H2411-**				
564ZD4-018H2511	1.80	3	WITH EAR	164P CONTACT
564ZD4-018H2511-**				
564ZD4-018H2611	1.80	3	WITHOUT EAR	164P CONTACT
564ZD4-018H2611-**				
564ZD4-018H2711	2.78	2	WITH EAR	98P CONTACT
564ZD4-018H2711-**				
564ZD4-018H2811	2.78	2	WITH EAR	102P CONTACT
564ZD4-018H2811-**				
564ZD4-018H2911	1.80	3	WITH EAR	98P CONTACT
564ZD4-018H2911-**				
564ZD4-018H2A11	1.80	3	WITH EAR	102P CONTACT
564ZD4-018H2A11-**				
564ZD4-018H2B11	2.78	3	WITHOUT EAR	164P CONTACT
564ZD4-018H2B11-**				

DIM	TOL	DIM	TOL
x.	±0.30	x.	±2'
.x	±0.25	.x	±1'
.xx	±0.20		

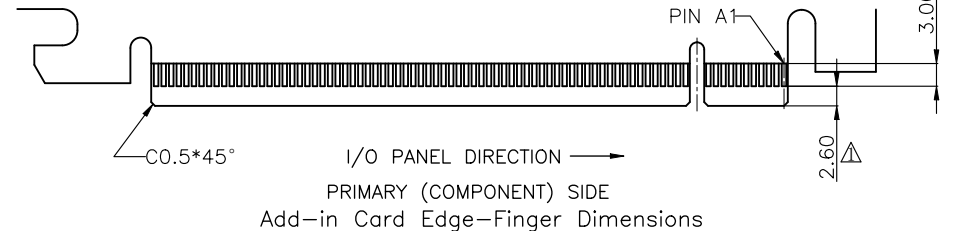


DEREN
SHENZHEN DEREN ELECTRONIC CO.,LTD

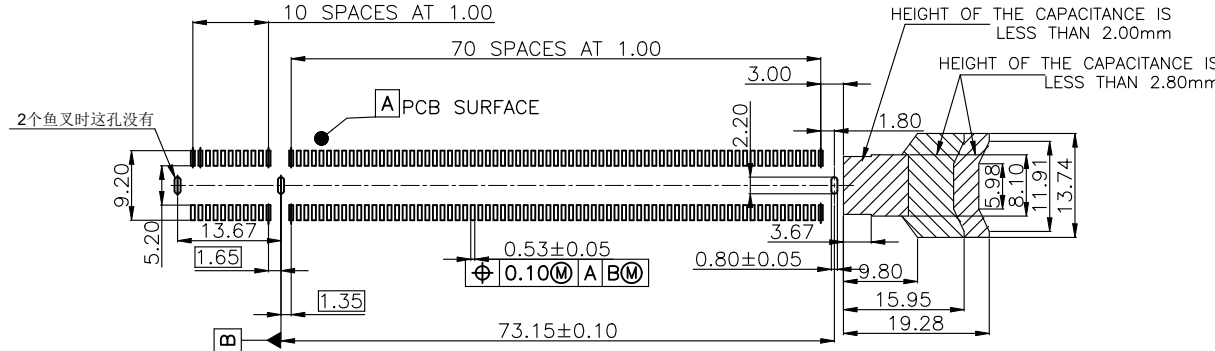
C-DWG	TY	DATE	TITLE: PCI-E 5.0 SMT TYPE 164PIN WITH EAR&DIP HOOK
DESIGN: Chen	2024.06.14	P/N: SEE TABLE	
CHECK: Bill.Lin	2024.06.14	SHEET: 2/5	
APPROVAL: Smark.Huo	2024.06.14	SCALE: 1:1	UNIT: mm



I/O PANEL DIRECTION
PRIMARY (COMPONENT) SIDE



I/O PANEL DIRECTION
PRIMARY (COMPONENT) SIDE
Add-in Card Edge-Finger Dimensions



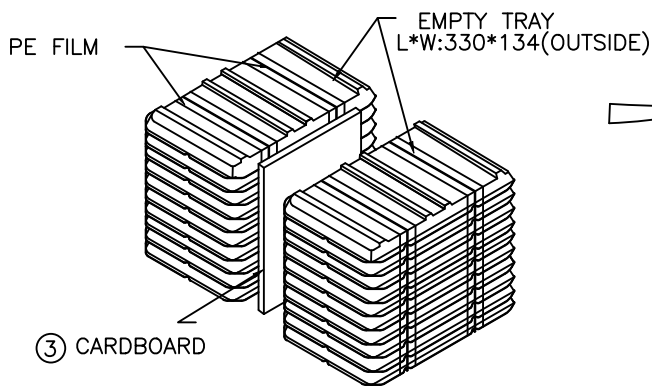
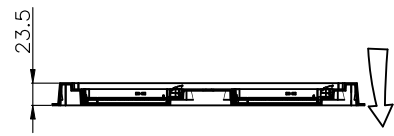
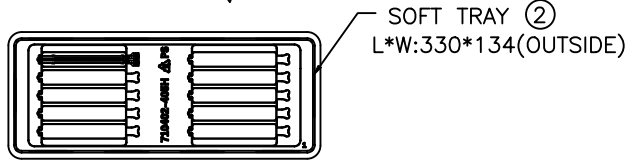
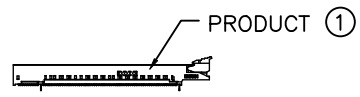
ROMMENDED PCB LAYOUT(TOP VIEW)
DEFAULT TOLERANCE±0.05

- NOTES:
 ▲NO TIE BAR PERMITTED FROM CARD EDGE TO LEADING EDGE OF PAD FOR PINS "A1 AND "C"
 ▲CHAMFER EDGES MUST BE FREE OF CUTTING BURRS TOLERANCE UNLESS OTHERWISE NOTED IS ±0.13
- 1.ELECTRICAL CHARACTERISTICS :
 1-1.CURRENT RATING:1.1AMP.30°C RISE ABOVE AMBIENT.
 1-2.CONTACT RESISTANCE:30 MILLIOHMS MAX. INITIAL, 50 MILLIOHMS MAX. AFTER TEST.
 1-3.INSRLTATION RESISTANCE:1000 MEGOHMS MIN.
 1-4.DIELECTRICAL WITHSTAND VOLTAGE:500V AC MIN.AT SEA LEVEL.
- 2.MECHANICAL CHARACTERISTICS:
 2-1.CARD INSERTION FORCE:117gf MAX.PER CONTACT PAIR.
 2-2.DURABILITY:50 MATING AND UNMATING CYCLES.
 2-3.CARD REMOVAL FORCE:15gf MIN.PER CONTACT PAIR.
 2-4.CONTACT RETENTION FORCE:200gf MIN.
- 3.ENVIRONMENTAL CHARACTERISTICS:
 3-1.OPERATING TEMPERATURE RANGE:-40°C TO +105°C.

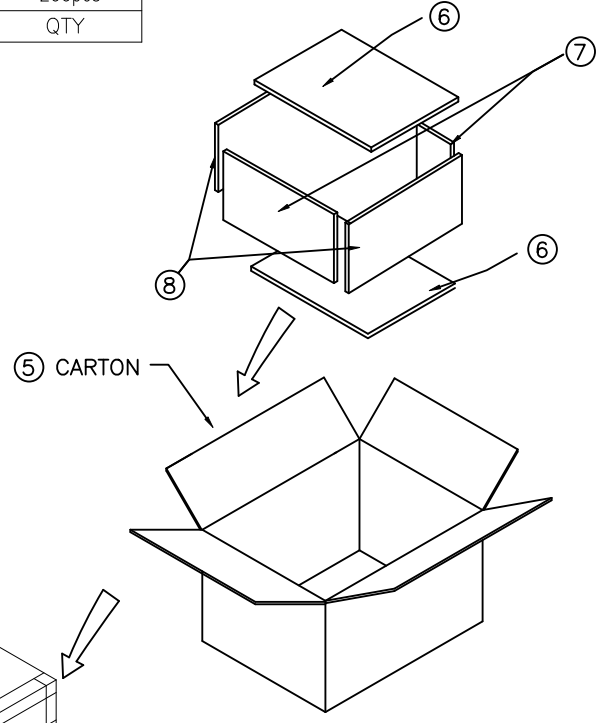
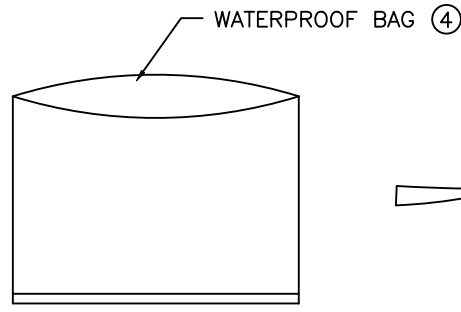
DIM	TOL	DIM	TOL
x.	±0.30	x.	±2'
.x	±0.25	.x	±1'
.xx	±0.20		

DEREN
SHENZHEN DEREN ELECTRONIC CO.,LTD

C-DWG	TY	DATE	TITLE: PCI-E 5.0 SMT TYPE 164PIN WITH EAR&DIP HOOK
DESIGN:	Chen	2024.06.14	P/N: SEE TABLE
CHECK:	Bill.Lin	2024.06.14	SHEET: 3/5
APPROVAL:	Smark.Huo	2024.06.14	SCALE: 1:1 UNIT: mm



8	EPE		350*210*10mm	2
7	EPE		265*210*10mm	2
6	EPE		350*285*10mm	2
5	CARTON	700101-083H	365*300*248mm	1
4	BAG	55-41001-02	600*600*0.05mm	1
3	CARDBOARD		330*165mm	1
2	SOFT TRAY	-	330*134mm	22
1	CONN	-	-	200pcs
NO.	PART NAME	PART NUMBER	SPEC.	QTY



NOTE:

1. PUT THE PRODUCTS INTO TRAY WITH DIRECTION AS THE LEFT SKETCH SHOWN,10pcs/TRAY, 11 TRAYS STACKED UP PER BUNDLE. THEN ADD AN EMPTY TRAY ON TOPSIDE.
2. WIND THE TWO ENDS WITH PE FILM.
3. PUT THE PRODUCTS BUNDLED INTO WATER-PROOF PE BAG, 2BUNLDES/BAG,THEN PUT INTO THE CARTON.
4. SEAL OUTER CARTON WITH PACKING TAPE LIKE A 'H' SHAPE.
5. PACKAGING QUANTITY:200PCS/CARTON.

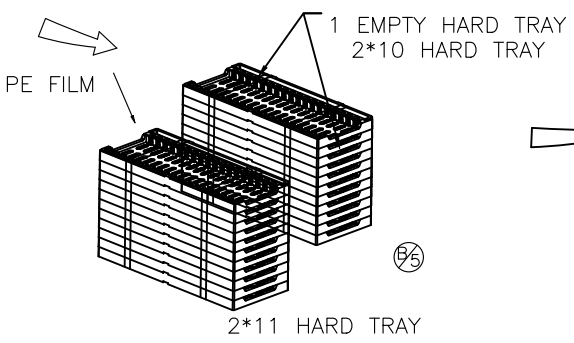
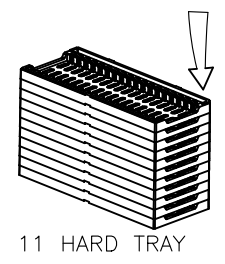
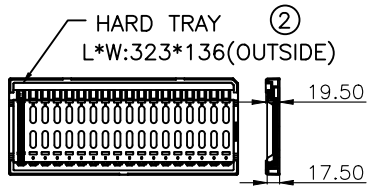
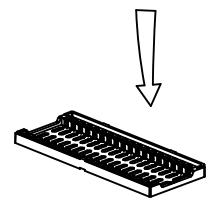
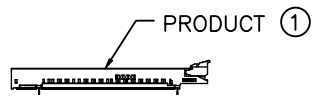
DIM	TOL	DIM	TOL
x.		x.	
.x		.x	
.xx		.xx	



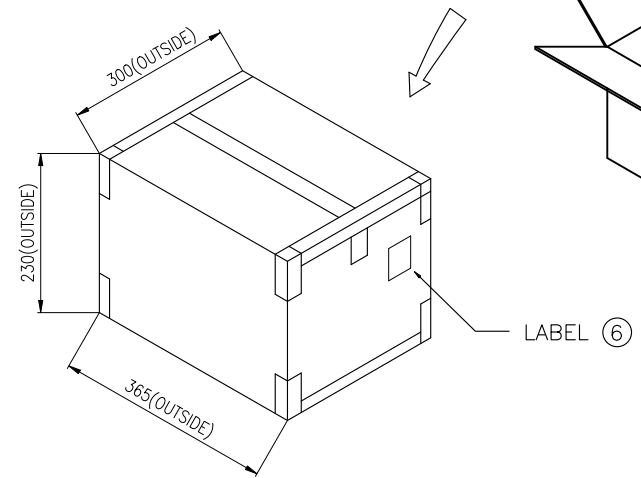
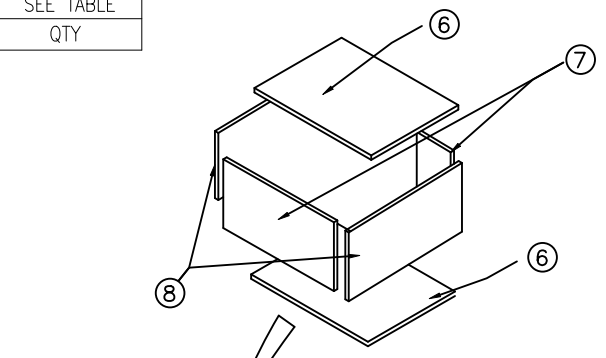
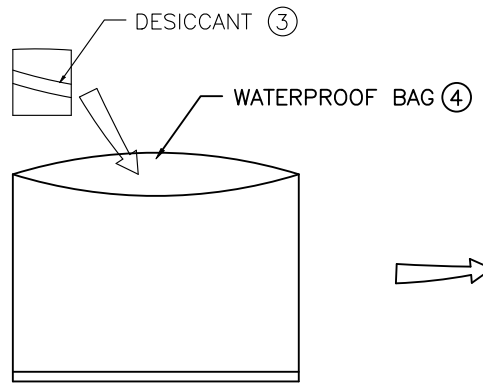
DEREN			
SHENZHEN DEREN ELECTRONIC CO.,LTD			
C-DWG	TY	DATE	TITLE: PCI-E 5.0 SMT TYPE 164PIN WITH EAR&DIP HOOK
DESIGN:	Chen	2024.06.14	P/N: SEE TABLE
CHECK:	Bill.Lin	2024.06.14	SHEET: 4/5
APPROVAL:	Smark.Huo	2024.06.14	SCALE: 1:1 UNIT: mm

中望CAD教育版设计

中望CAD教育版设计



8	EPE		350*160*10mm	2
7	EPE		265*160*10mm	4
6	EPE		350*285*10mm	2
5	CARTON	-	365*300*230mm	1
4	BAG	-	520*600*0.15mm	1
3	DESICCANT	-	50g/BAG	2
2	HARD TRAY	-	323*136*19.5mm	22
1	CONN	-	-	SEE TABLE
NO.	PART NAME	PART NUMBER	SPEC.	QTY



- NOTE:
1. PUT THE PRODUCTS INTO TRAY WITH DIRECTION AS THE LEFT SKETCH SHOWN,18pcs/TRAY, 11 TRAYS STACKED UP PER BUNDLE. THEN ADD AN EMPTY TRAY ON TOPSIDE.
 2. WIND THE TWO ENDS WITH PE FILM.
 3. PUT THE PRODUCTS BUNDLED INTO WATER-PROOF PE BAG, 2BUNDLES/BAG,THEN PUT INTO THE CARTON.
 4. SEAL OUTER CARTON WITH PACKING TAPE LIKE A 'H' SHAPE.
 5. PACKAGING QUANTITY:360PCS/CARTON.

DIM	TOL	DIM	TOL
x.		x.	
.x		.x	
.xx		.xx	

DEREN
SHENZHEN DEREN ELECTRONIC CO.,LTD

C-DWG	TY	DATE	TITLE: PCI-E 5.0 SMT TYPE 164PIN WITH EAR&DIP HOOK
DRAW NO. SC2208690	DESIGN: Chen	2024.06.14	P/N:
REV. B	CHECK: Bill.Lin	2024.06.14	SHEET: 5/5
APPROVAL: Smark.Huo	2024.06.14	SCALE: 1:1	UNIT: mm

中望CAD教育版设计

中望CAD教育版设计