

REV.	ECN NO.	LOCATION	DESCRIPTION	DATE	DESIGN
X1			INITIAL RELEASE	05/26'2023	Mikejiang
X2			REVISION IDENTIFIER	07/17'2023	Gonglirong
X3			REVISION IDENTIFIER	01/16'2024	Gonglirong

PART NAME:
56XXG5 - 001H * * * * *

PACKING CODE: 1: TRAY
2: TAPE AND REEL

TYPE CODE: 1: VERTICAL

SHELL TAIL LENGTH CODE(DIM.A): 1: 1.5mm
2: 2.2mm
3: 3.0mm
4: 4.2mm

RESERVE CODE: 0

PLATING CODE: 1: G/F
2: 15u" Min
3: 30u" Min

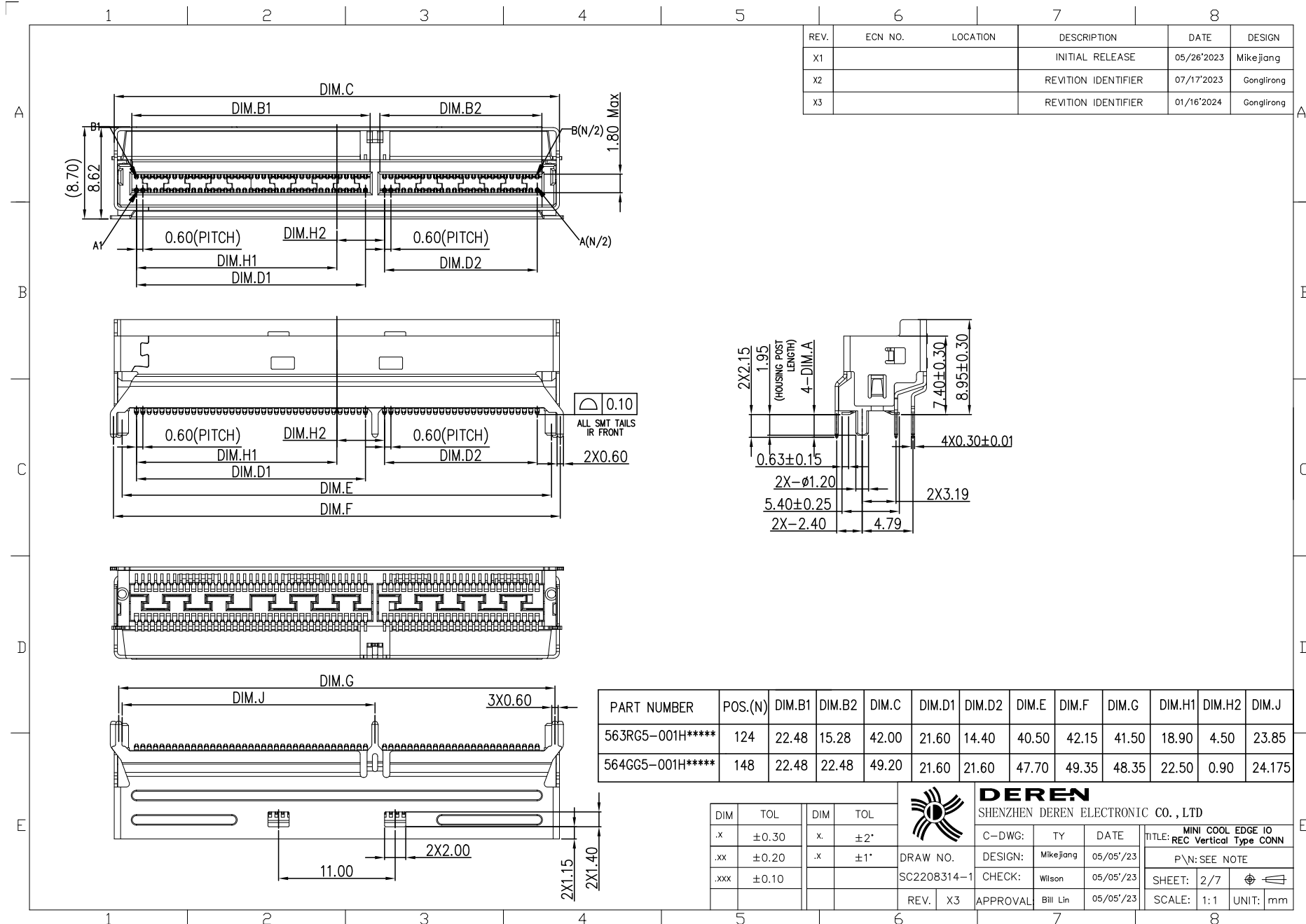
HALOGEN CODE: H: HALOGEN FREE

NO OF PIN: 15: 38PIN
1H: 50PIN
2B: 74PIN
3R: 124PIN
4G: 148PIN

- NOTES:
- MATERIALS:
 - 1.1 PLASTICS: HIGH TEMPERATURE THERMOPLASTIC, UL94V-0 BLACK;
 - 1.2 CONTACT: COOPER ALLOY
 - 1.3 SHELL: STAINLESS.
 - FINISH:
 - 2.1 CONTACT: GOLD PLATING(SEE PART NUMBER) ON CONTACT AREA.
2.54um[100u"] MIN. MATTE-TIN PLATING ON SOLDER TAIL AREA.
1.27um[50u"] MIN. NICKEL UNDERPLATING OVER ALL.
 - 2.2 SHELL: 1.27um[50u"] MIN. NICKEL UNDERPLATING OVER ALL
 - RECOMMENDED STENCIAL THICKNESS: 0.15mm

PART NUMBER	POS.(N)	DIM.B	DIM.C	DIM.D	DIM.E	DIM.F	DIM.G
5615G5-001H*****	38	11.68	15.00	10.80	13.50	14.55	13.55
561HG5-001H*****	50	15.28	18.60	14.40	17.10	18.15	17.15
5628G5-001H*****	74	22.48	25.80	21.60	24.30	25.35	24.35

DIM		TOL		DEREN SHENZHEN DEREN ELECTRONIC CO., LTD	C-DWG:		TY	DATE	TITLE: MINI COOL EDGE IO REC Vertical Type CONN		
.x	±0.30	x.	±2*		DESIGN:	Mikejiang	05/05/23	P\N: SEE NOTE			
.xx	±0.20	.x	±1*		DRAW NO.	Wilson	05/05/23	SHEET:	1/7		
.xxx	±0.10				SC2208314-1	Bill Lin	05/05/23	SCALE:	1:1	UNIT:	mm
		REV.	X3	APPROVAL							



REV.	ECN NO.	LOCATION	DESCRIPTION	DATE	DESIGN
X1			INITIAL RELEASE	05/26'2023	Mikejiang
X2			REVISION IDENTIFIER	07/17'2023	Gongliang
X3			REVISION IDENTIFIER	01/16'2024	Gongliang

PART NUMBER	POS.(N)	DIM.B1	DIM.B2	DIM.C	DIM.D1	DIM.D2	DIM.E	DIM.F	DIM.G	DIM.H1	DIM.H2	DIM.J
563RC5-001H*****	124	22.48	15.28	42.00	21.60	14.40	40.50	42.15	41.50	18.90	4.50	23.85
564GG5-001H*****	148	22.48	22.48	49.20	21.60	21.60	47.70	49.35	48.35	22.50	0.90	24.175

DIM	TOL	DIM	TOL
.x	±0.30	x.	±2*
.xx	±0.20	.x	±1*
.xxx	±0.10		

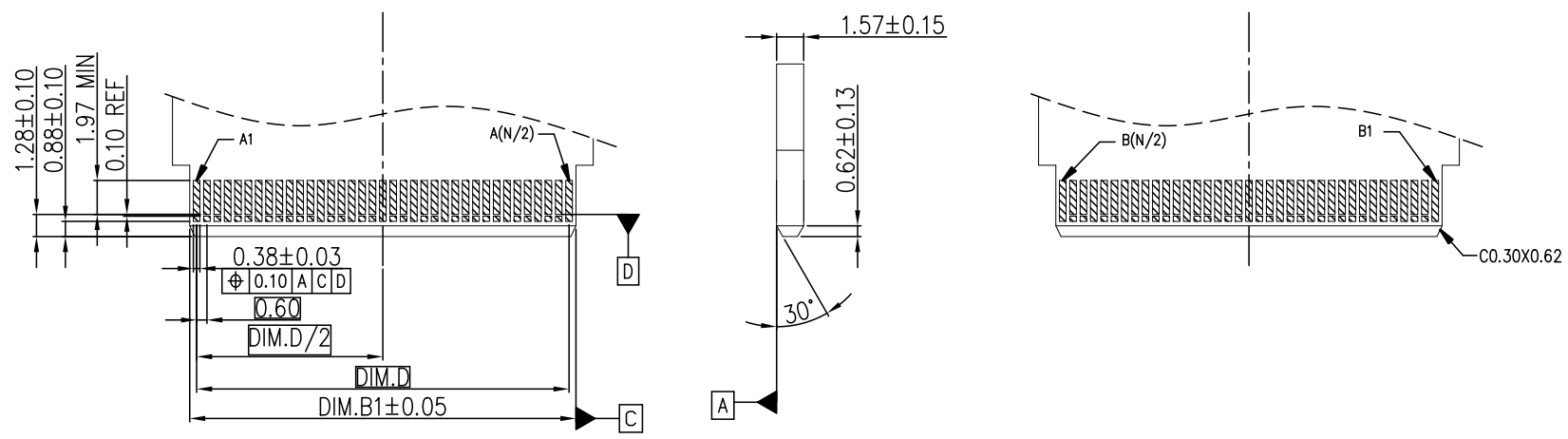
DEREN
SHENZHEN DEREN ELECTRONIC CO., LTD

C-DWG: TY DATE
DESIGN: Mikejiang 05/05/23
CHECK: Wilson 05/05/23
APPROVAL: Bill Lin 05/05/23

REV. X3


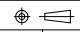
TITLE: MINI COOL EDGE IO REC Vertical Type CONN
P\N: SEE NOTE
SHEET: 2/7
SCALE: 1:1 UNIT: mm

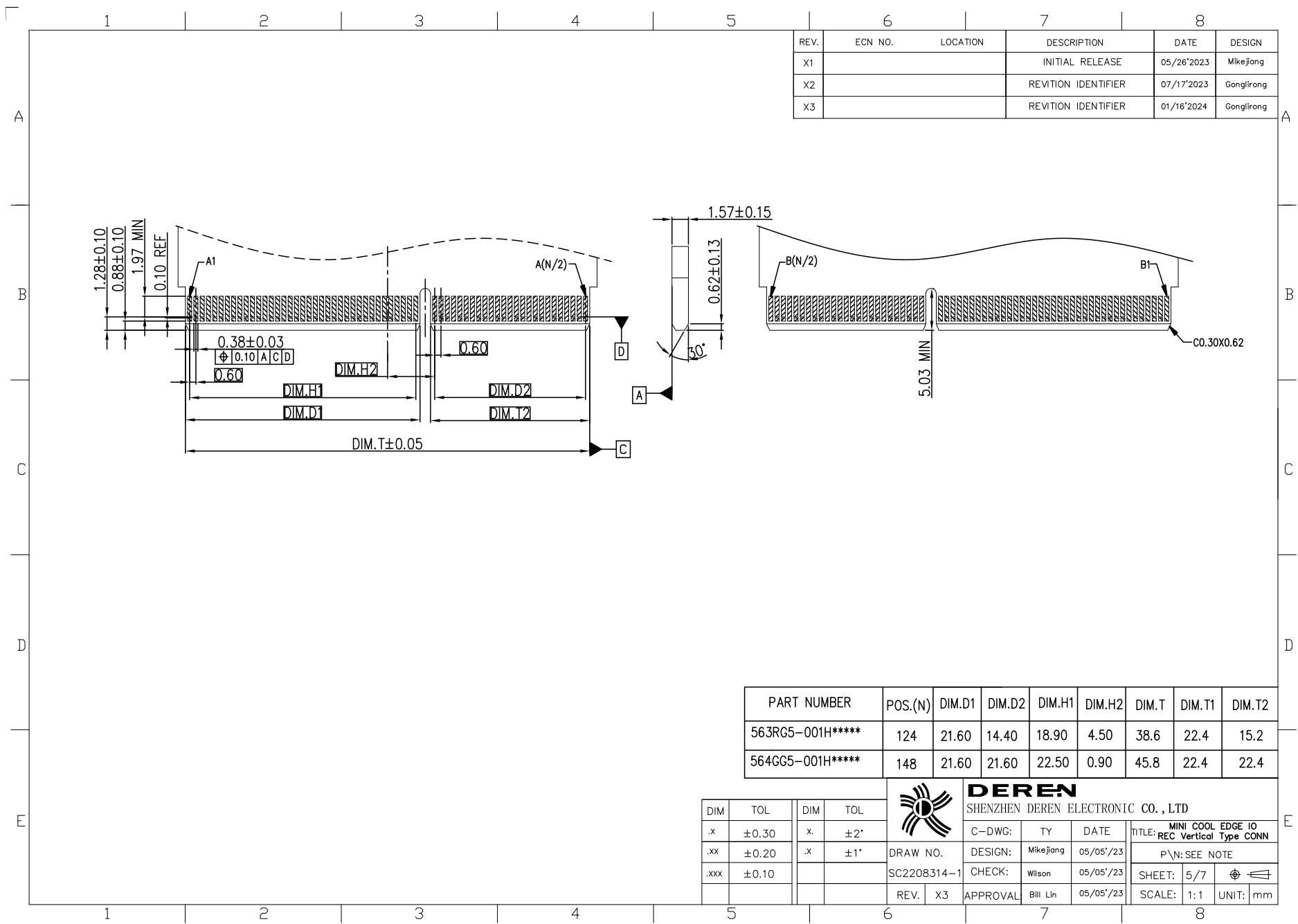
REV.	ECN NO.	LOCATION	DESCRIPTION	DATE	DESIGN
X1			INITIAL RELEASE	05/26'2023	Mikejiang
X2			REVISION IDENTIFIER	07/17'2023	Gonglirong
X3			REVISION IDENTIFIER	01/16'2024	Gonglirong



RECOMMENDED AIR MATING CARD DIMENSIONS
 GENERAL TOLERANCES: ±0.05

PART NUMBER	POS.(N)	DIM.B1	DIM.D
5615G5-001H*****	38	11.60	10.80
561HG5-001H*****	50	15.20	14.40
5628G5-001H*****	74	22.40	21.60

DIM	TOL	DIM	TOL	 DEREN SHENZHEN DEREN ELECTRONIC CO., LTD	C-DWG:	TY	DATE	TITLE: MINI COOL EDGE IO REC Vertical Type CONN P\N: SEE NOTE		
	.x		±0.30		x.	±2*	DRAW NO.		DESIGN:	Mikejiang
	.xx	±0.20	.x	±1*	SC2208314-1	CHECK:	Wilson	05/05/23	SHEET: 4/7	
	.xxx	±0.10			REV. X3	APPROVAL	Bill Lin	05/05/23	SCALE: 1:1	UNIT: mm

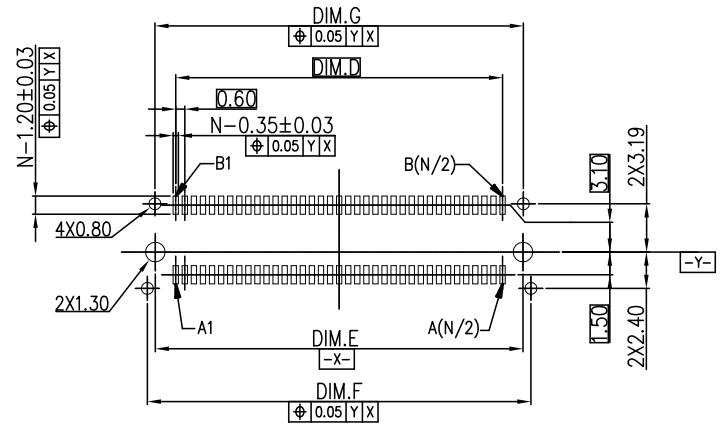


REV.	ECN NO.	LOCATION	DESCRIPTION	DATE	DESIGN
X1			INITIAL RELEASE	05/26'2023	Mikejiang
X2			REVISION IDENTIFIER	07/17'2023	Gongjirong
X3			REVISION IDENTIFIER	01/16'2024	Gongjirong

PART NUMBER	POS.(N)	DIM.D1	DIM.D2	DIM.H1	DIM.H2	DIM.T	DIM.T1	DIM.T2
563RG5-001H*****	124	21.60	14.40	18.90	4.50	38.6	22.4	15.2
564GG5-001H*****	148	21.60	21.60	22.50	0.90	45.8	22.4	22.4

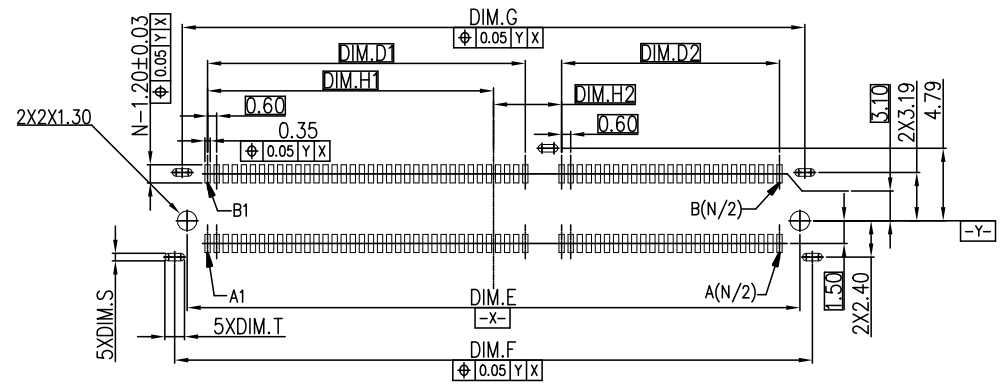
DIM		TOL		DIM		TOL		DEREN SHENZHEN DEREN ELECTRONIC CO., LTD	
.x	±0.30	x.	±2°						
.xx	±0.20	.x	±1°	DRAW NO.	DESIGN:	Mikejiang	05/05/23	TITLE: MINI COOL EDGE IO REC Vertical Type CONN	
.xxx	±0.10			SC2208314-1	CHECK:	Wilson	05/05/23	P\N: SEE NOTE	
				REV. X3	APPROVAL	Bill Lin	05/05/23	SHEET: 5/7	UNIT: mm

REV.	ECN NO.	LOCATION	DESCRIPTION	DATE	DESIGN
X1			INITIAL RELEASE	05/26/2023	Mikejiang
X2			REVISION IDENTIFIER	07/17/2023	Gongjirong
X3			REVISION IDENTIFIER	01/16/2024	Gongjirong



RECOMMENDED PCB LAYOUT
GENERAL TOLERANCES: ±0.05

PART NUMBER	POS.(N)	DIM.D	DIM.E	DIM.F	DIM.G
5615G5-001H*****	38	10.80	13.50	14.55	13.55
561HC5-001H*****	50	14.40	17.10	18.15	17.15
5628G5-001H*****	74	21.60	24.30	25.35	24.35



RECOMMENDED PCB LAYOUT
GENERAL TOLERANCES: ±0.05

PART NUMBER	POS.(N)	DIM.D1	DIM.D2	DIM.E	DIM.F	DIM.G	DIM.H1	DIM.H2	DIM.S	DIM.T
563RC5-001H*****	124	21.60	14.40	40.50	42.15	41.15	18.90	4.50	0.50	1.10
564GG5-001H*****	148	21.60	21.60	47.70	49.35	48.35	22.50	0.90	0.65	1.30

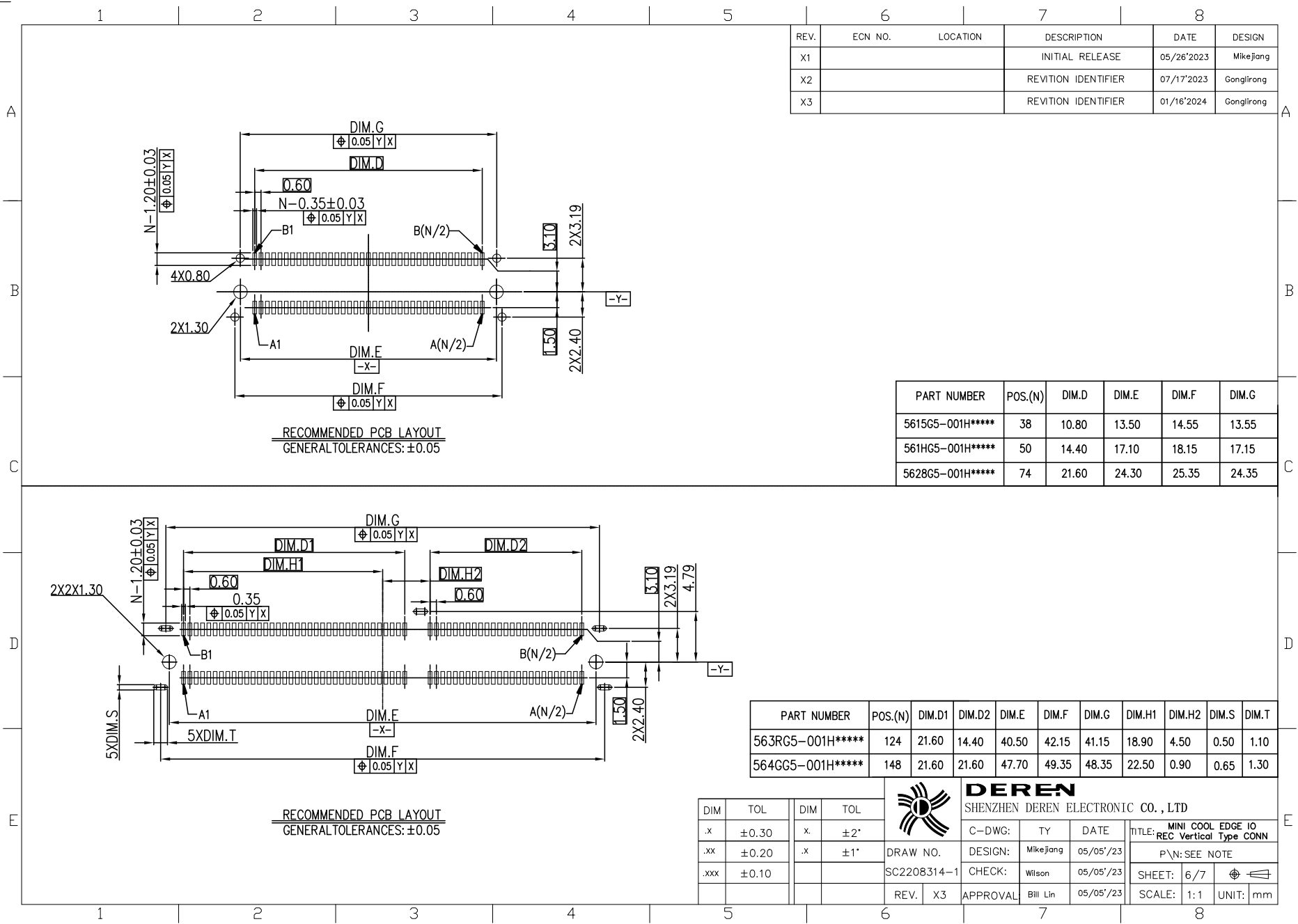
DIM	TOL	DIM	TOL
.x	±0.30	x.	±2*
.xx	±0.20	.x	±1*
.xxx	±0.10		



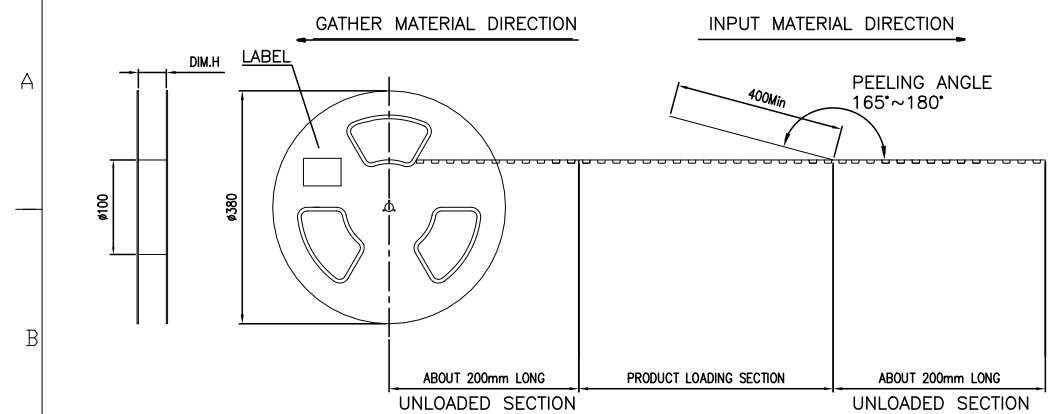
DEREN
SHENZHEN DEREN ELECTRONIC CO., LTD

C-DWG:	TY	DATE
DESIGN:	Mikejiang	05/05/23
CHECK:	Wilson	05/05/23
APPROVAL	Bill Lin	05/05/23

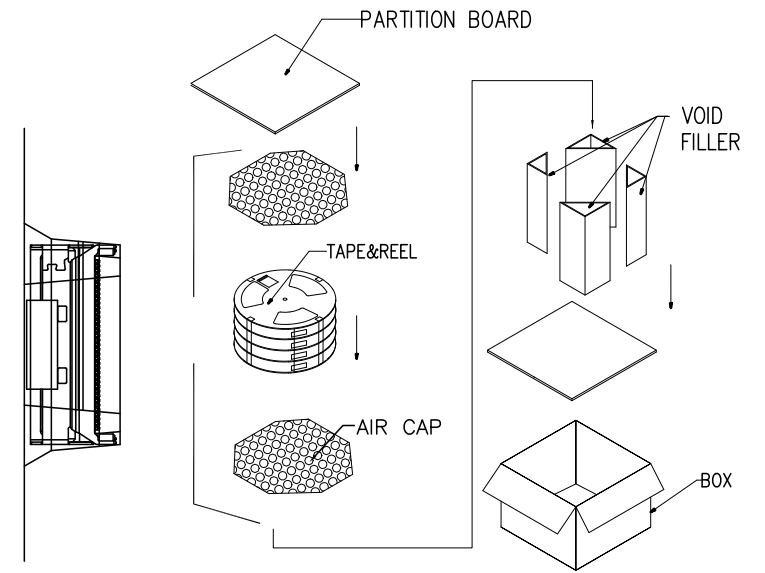
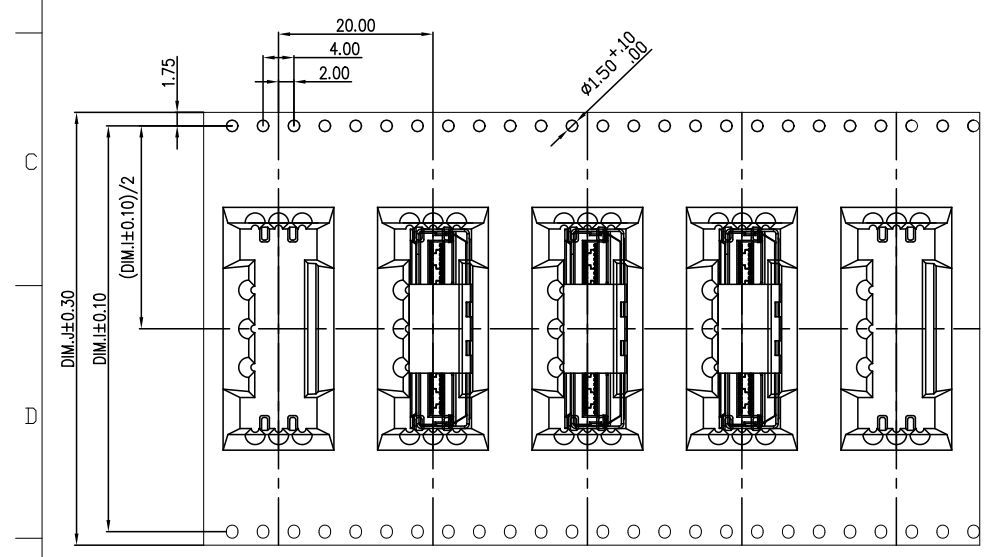
TITLE: MINI COOL EDGE IO REC Vertical Type CONN	
P\N: SEE NOTE	
SHEET: 6/7	☉
SCALE: 1:1	UNIT: mm



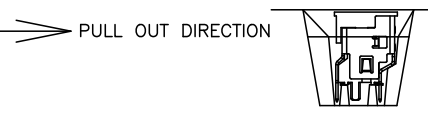
REV.	ECN NO.	LOCATION	DESCRIPTION	DATE	DESIGN
SEE SHEET 1					



- MATERIAL:
COVER TAPE: PET, COLOR: CLEAR
CARRIER TAPE: PET
REEL: PS
SHIPPING BOX: CORRUGATED FIBER
- DIMENSION:
REEL: SEE DRAWING
BOX: 385X385X295mm
- QUANTITY: SEE TABLE



PART NUMBER	POS.(N)	DIM.H	DIM.I	DIM.J	REEL (Q'TY)	CARTON (PCS)
5615G5-001H*****	38	(32.00)	28.40	32.00	7	2450
561HG5-001H*****	50	(44.00)	44.40	44.00	5	1750
562RG5-001H*****	74	(56.00)	52.40	56.00	4	1400
563RG5-001H*****	124	(72.00)	68.40	72.00	3	1050
564G5-001H*****	148	(72.00)	68.40	72.00	3	1050



DIM	TOL	DIM	TOL
.x		.x	
.x		.x	
.xx			

DEREN
SHENZHEN DEREN ELECTRONIC CO., LTD

C-DWG:	TY	DATE	TITLE: MINI COOL EDGE IO REC Vertical Type CONN
DRAW NO.:	DESIGN:	Mikejiang	05/05/23
SC2208314-1	CHECK:	Wilson	05/05/23
REV. X3	APPROVAL	Bill Lin	05/05/23

P/N: SEE NOTE	SHEET: 7/7	SCALE: N/A	UNIT: mm
---------------	------------	------------	----------