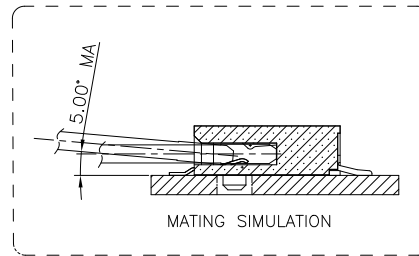
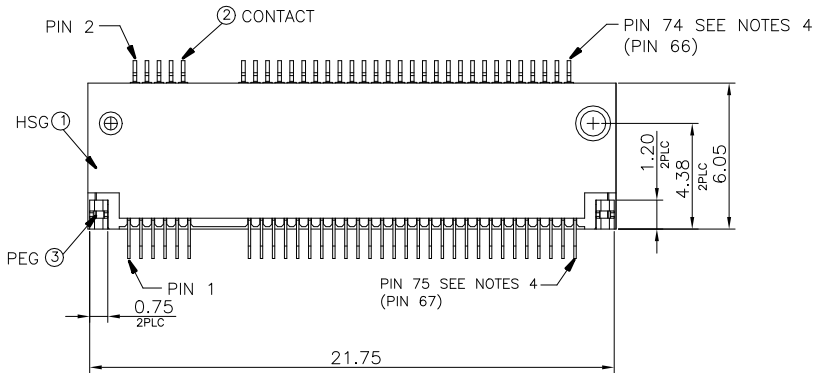
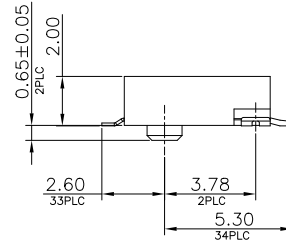
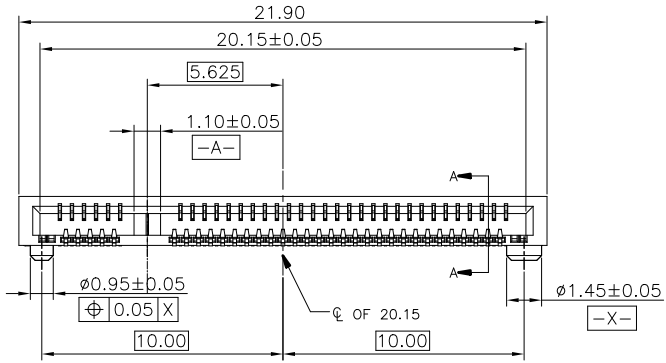
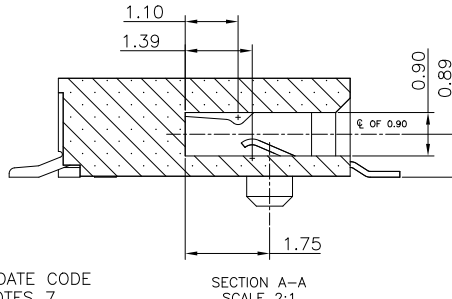
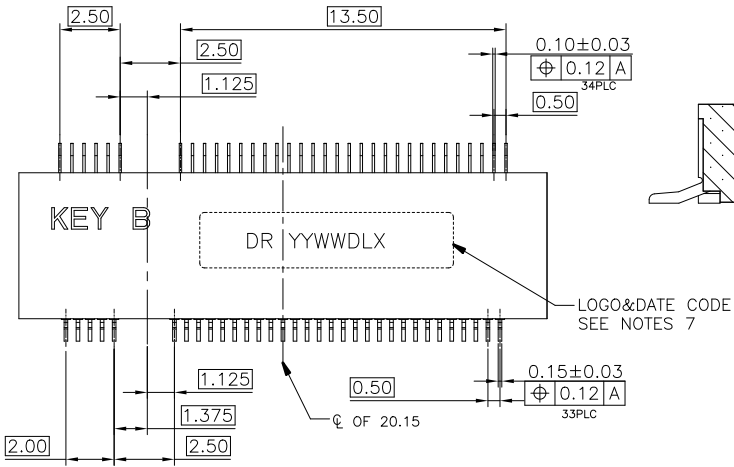


HF

Halogen Free



REV.	ECN NO.	LOCATION	DESCRIPTION	DATE	DESIGN
A			INITIAL RELEASE	2023.11.14	Sid Guo

NOTES:

MATERIAL MUST MEET DEREN CONTROLLED SUBSTANCES SPEC.PER WI-PB-S-010.
PRODUCT MUST MEET CONTROLLED SUBSTANCES SPEC. ROHS 2.0

1. MATERIAL:

- 1.1 HOUSING: LCP , UL94V-0; COLOR: BLACK
- 1.2 CONTACTS: PHOSPHOR BRONZE
- 1.3 FLOATING PEG: STAINLESS STEEL

2. FINISH:

- 2.1 CONTACT:
GOLD(SEE NOTE 10) PLATED ON CONTACT AREA AND GOLD FLASH"
SOLDER AREA. 50u" MIN. NICKEL UNDERPLATING.
- 2.2 FLOATING PEG:
80u" MIN. MATTE-TIN. 50u"MIN. NICKEL UNDERPLATING.

3. REFLOW SOLDER CAPABLE TO 260°C 10SEC.

4. ELECTRICAL CHARACTERISTICS:

- 4.1 CONTACT CURRENT RATING: 0.5 AMPERE MAX, PER PIN,
- 4.2 VOLTAGE RATING: 50V AC.
- 4.3 INSULATION RESISTANCE: 500M OHM MIN.(INITIAL),
100M OHM MIN.(FINAL), AT 500V DC,
1 MINUTE.
- 4.4 DIELECTRIC WITHSTANDING VOLTAGE: 300V AC RMS AT 60HZ, FOR
1 MINUTE.
- 4.5 CONTACT RESISTANCE: 55m OHM MAX(INITIAL)
ΔR 20m OHM MAX(FINAL)

5. OPERATION TEMPERATURE: -40°C TO +80°C

6. MATING FORCE: 2.04Kgf MAX.

EXTRACTION FORCE: 0.1Kgf MIN.

DURABILITY: 60 CYCLES

7. DATE CODE YYWDLX

- YY: YEAR (09: 2009)
- WW: WEEK (25: THE 25TH WEEK)
- D: DAY (1~7: SUNDAY~SATURDAY)
- L: LINE NUMBER OF ASSEMBLY (A: LINE A)
- X: MANUFACTURE CODE

8.RECOMMENDED STENCIL THICKNESS: 0.12MM MIN

9.CONNECTOR ACTUAL PIN QUANTITY IS 67,AS THE KEY TAKING OUT 8 PINS.

10.PART NUMBER DESCRIPTION:

562119-0XXH011X

- PACKAGE CODE:
- R: EMBOSS WIDTH 44mm, SLOT BACKWARD
 - 1: EMBOSS WIDTH 44mm, SLOT FORWARD
 - 2: EMBOSS WIDTH 32mm, SLOT FORWARD
 - 3: EMBOSS WIDTH 32mm, SLOT BACKWARD

- Logo:
- 0:No Logo
 - 1:DR Logo
- Color:
- 1:Black
 - 2:White
- RESERVED CODE
- HALOGEN CODE:
- H:HALOGEN FREE

- PLATING CODE:
- 06: GF
 - 07: Au5u"
 - 08: Au10u"
 - 09: 15u"
 - 10: Au30u"



DEREN
SHENZHEN DEREN ELECTRONIC CO., LTD

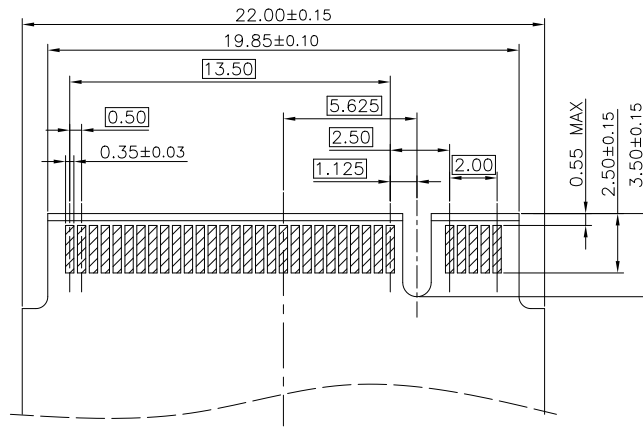
DIM	TOL	DIM	TOL
x.	±0.30	x.	±2*
.x	±0.25	.x	±1*
.xx	±0.15		

REV.	A	APPROVAL:	Bill Lin	2023.11.14	TITLE: NGFF 2.0H KEY B GEN4
SC2208386-7		CHECK:	Mike Chen	2023.11.14	P/N: 562119-0XXH011X
		C-DWG:	TY	DATE	SHEET: 1/6
		DESIGN:	Sid Guo	2023.11.14	UNIT: mm

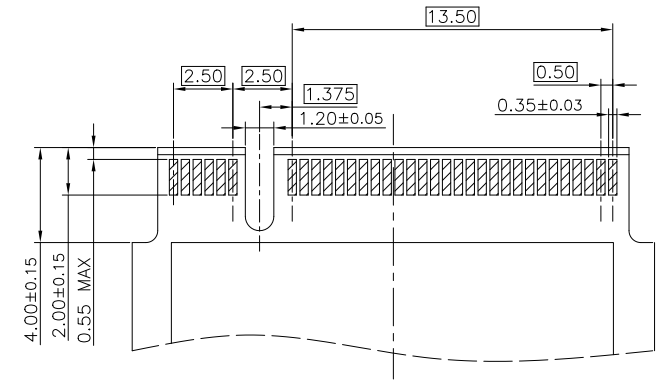
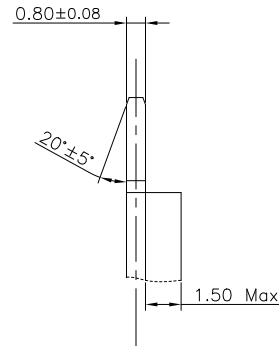
HF

Halogen Free

PLUG PCB

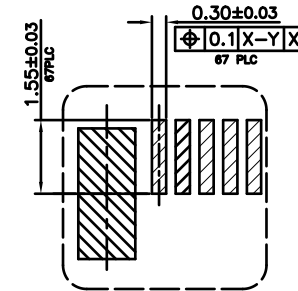
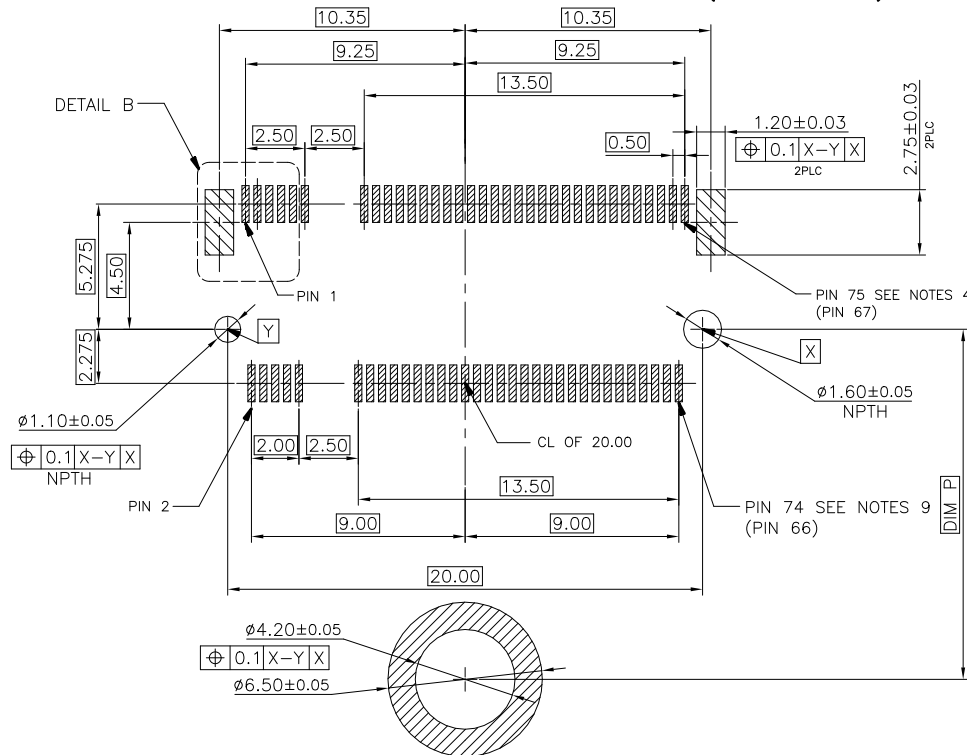


BOTTOM SIDE



TOP SIDE

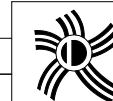
RECOMMENDED PCB LAYOUT(TOP VIEW)



DETAIL B
SCALE 2:1

22110	108.25
2280	78.25
2260	58.25
2242	40.25
2230	28.25
3042	40.25
3030	28.25
MODULE TYPE	DIM P

DIM	TOL	DIM	TOL
.x.	±0.20	.x.	±2°
.x	±0.10	.x	±1°
.xx	±0.05		



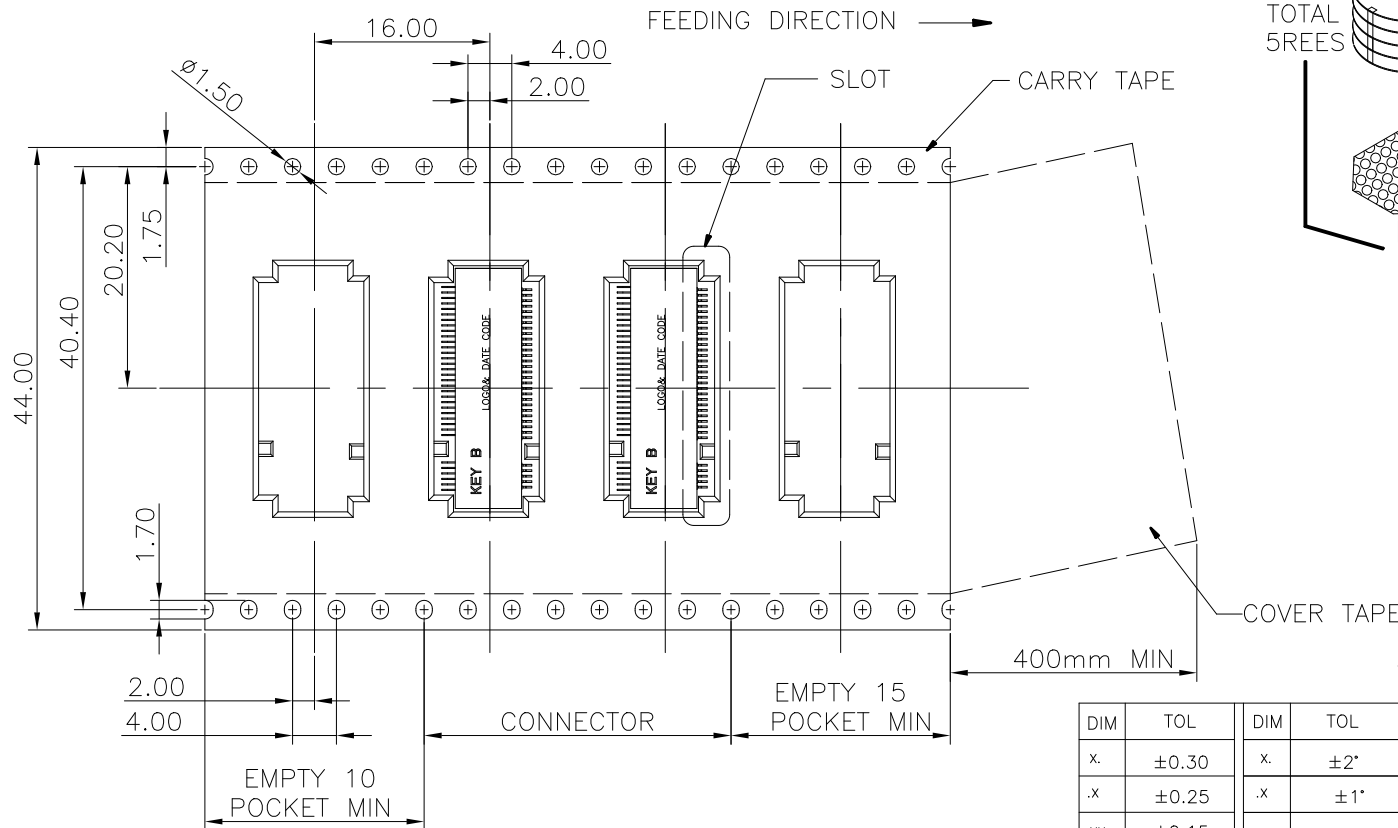
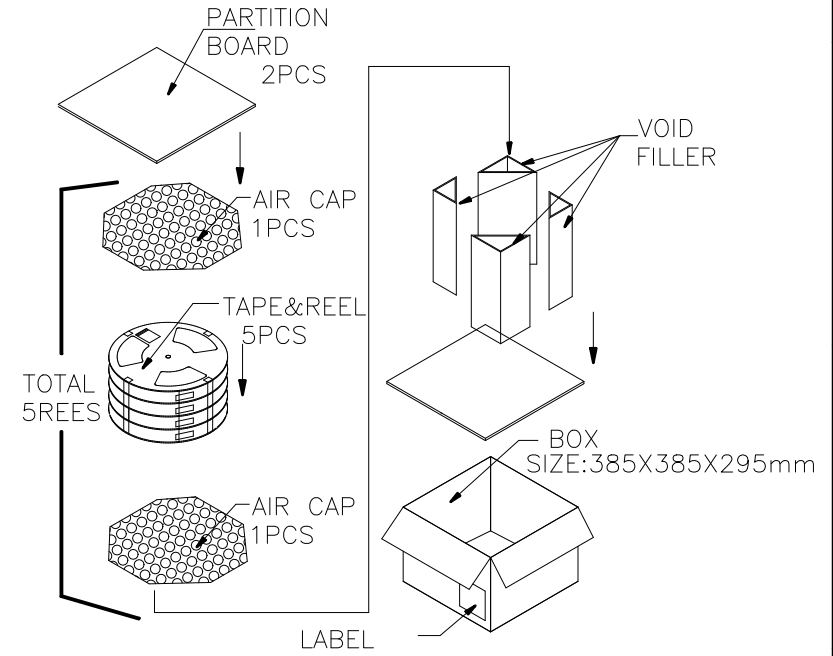
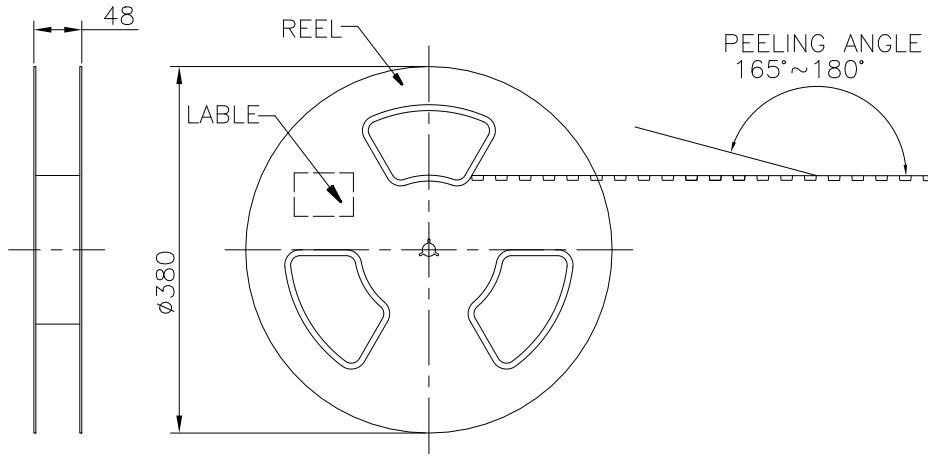
DEREN
SHENZHEN DEREN ELECTRONIC CO., LTD

C-DWG:	TY	DATE	TITLE: NGFF 2.0H KEY B GEN4
DESIGN:	Sid Guo	2023.11.14	P/N: 562119-0XXH011X
CHECK:	Mike Chen	2023.11.14	SHEET: 2/6
REV. A	APPROVAL: Bill Lin	2023.11.14	SCALE: N/A UNIT: mm

HF

Halogen Free

EMBOSS WIDTH 44mm, SLOT FORWARD FOR 562119-0XXH0111



1500	5	7500
PCS/TAPE	REELS/BOX	PCS/BOX

DIM	TOL	DIM	TOL
x.	± 0.30	x.	$\pm 2^{\circ}$
.x	± 0.25	.x	$\pm 1^{\circ}$
.xx	± 0.15		

DEREN
SHENZHEN DEREN ELECTRONIC CO., LTD

C-DWG:	TY	DATE	TITLE: NGFF 2.0H KEY B GEN4
DESIGN:	Sid Guo	2023.11.14	P/N: 562119-0XXH011X
CHECK:	Mike Chen	2023.11.14	SHEET: 4/6
APPROVAL:	Bill Lin	2023.11.14	SCALE: N/A UNIT: mm

DRAW NO. SC2208386-7

REV. A

DESIGN: Sid Guo

CHECK: Mike Chen

APPROVAL: Bill Lin

DATE: 2023.11.14

DATE: 2023.11.14

DATE: 2023.11.14

TITLE: NGFF 2.0H KEY B GEN4

P/N: 562119-0XXH011X

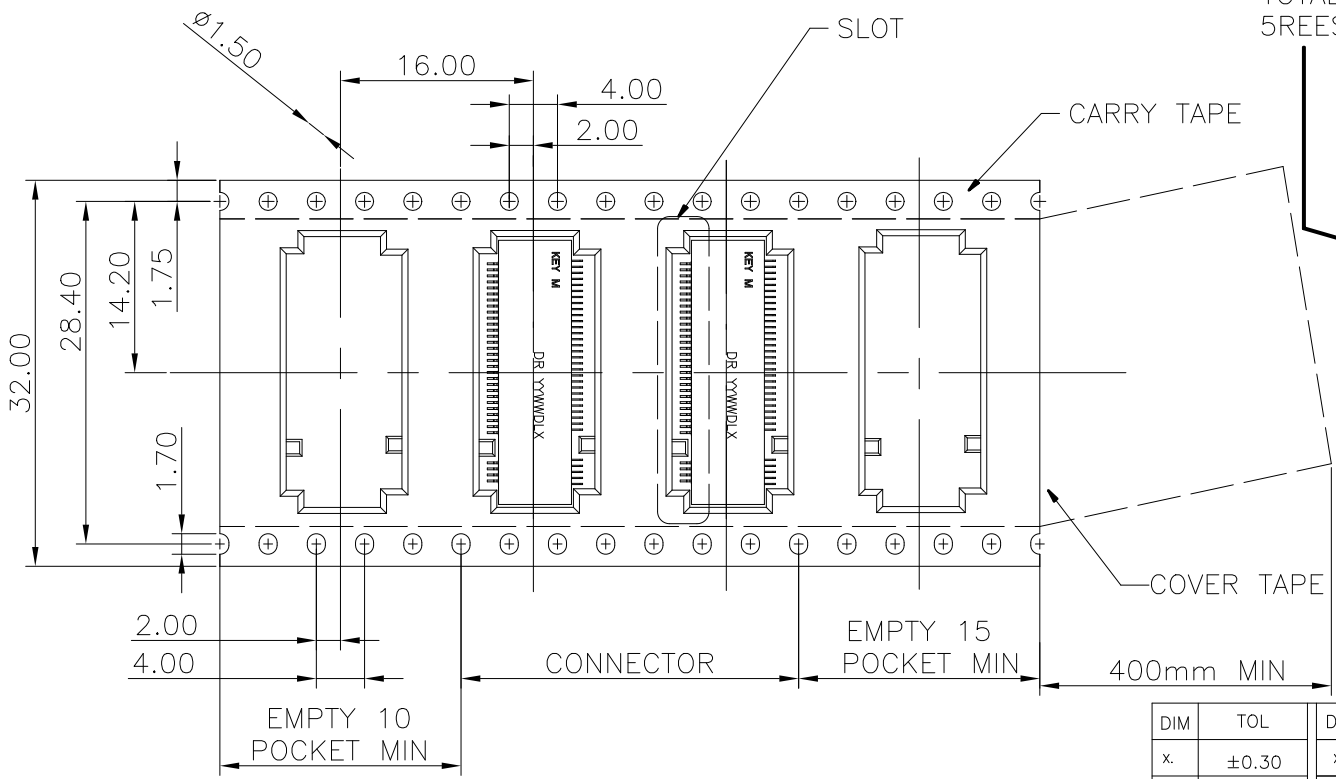
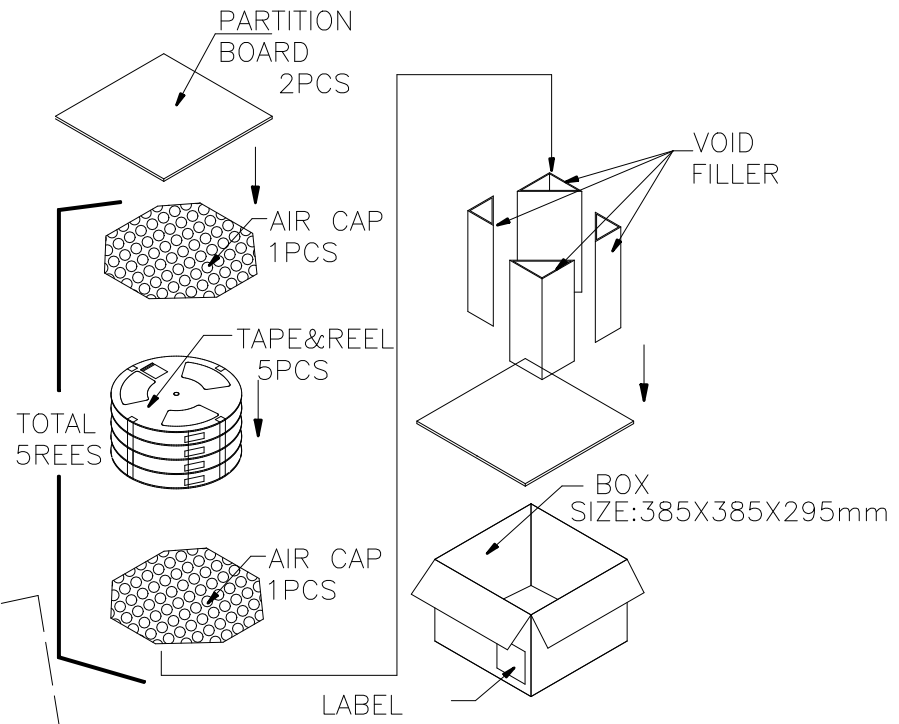
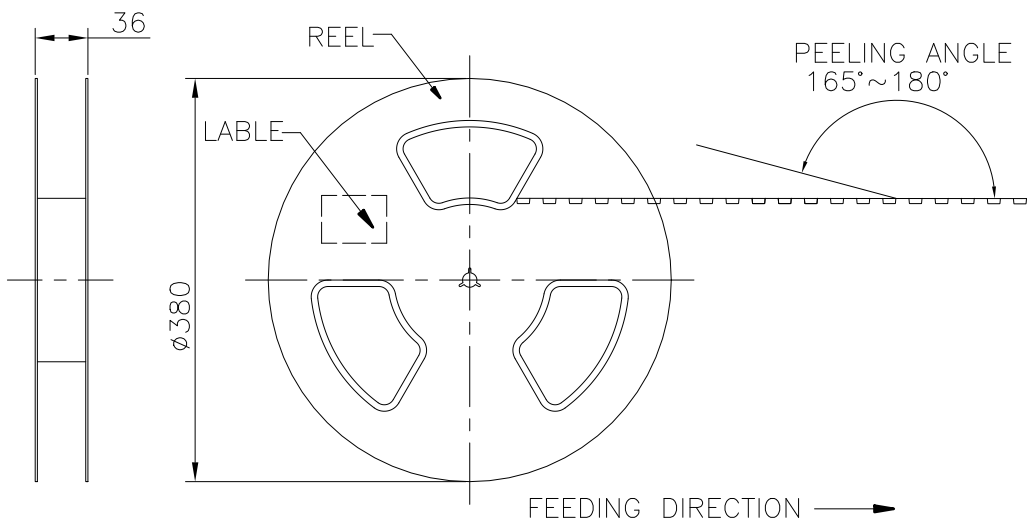
SHEET: 4/6

SCALE: N/A UNIT: mm

HF

Halogen Free

EMBOSS WIDTH 32mm, SLOT BACKWARD FOR 562119-0XXH0112



1500	5	7500
PCS/TAPE	REELS/BOX	PCS/BOX

DIM	TOL	DIM	TOL
x.	±0.30	x.	±2°
.x	±0.25	.x	±1°
.xx	±0.15		

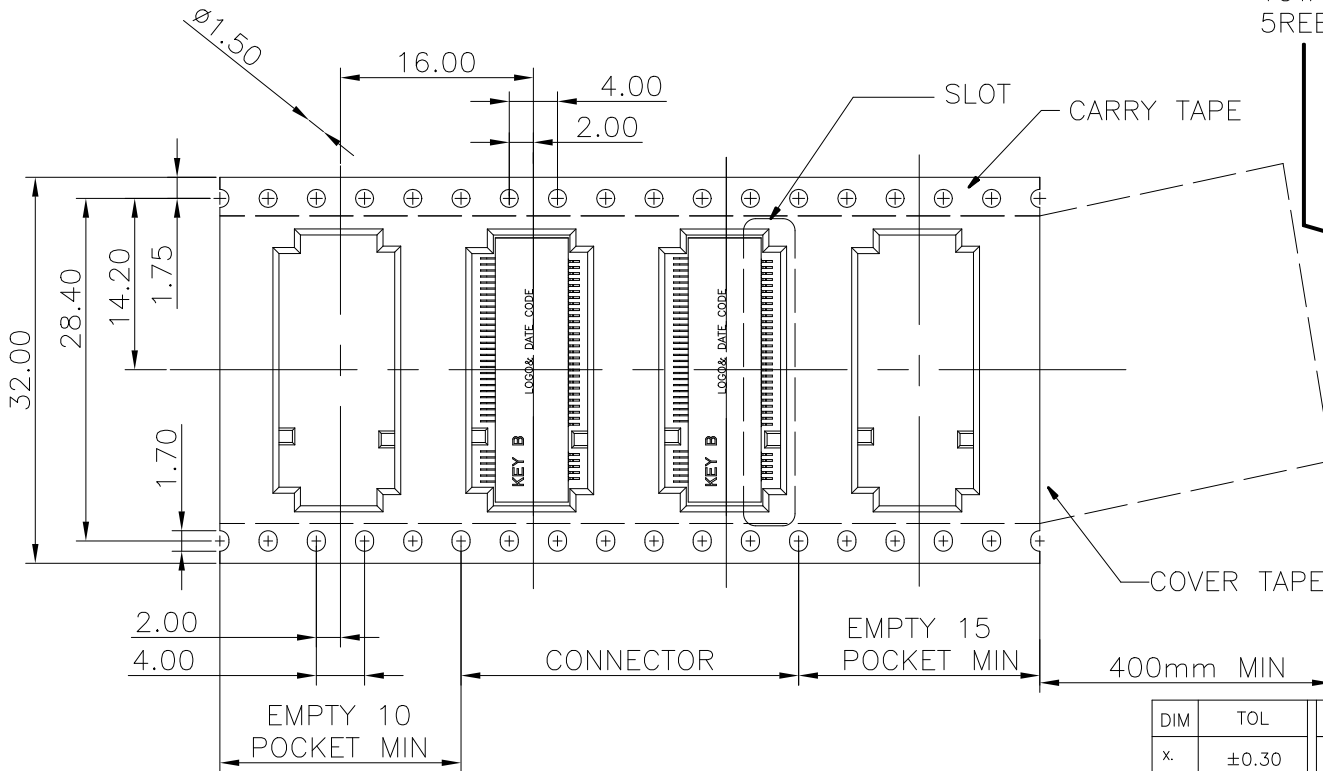
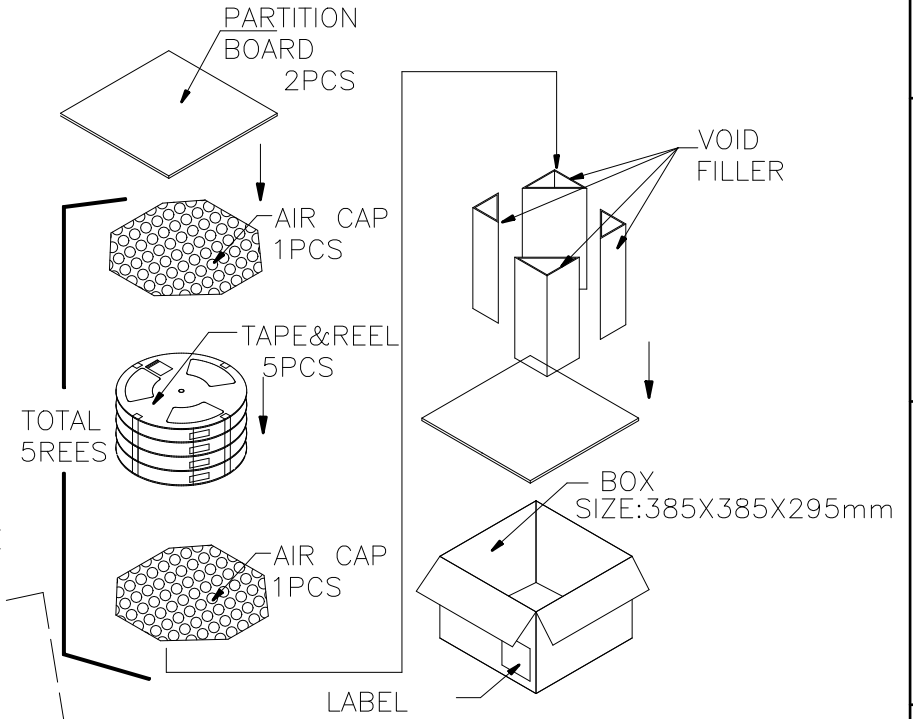
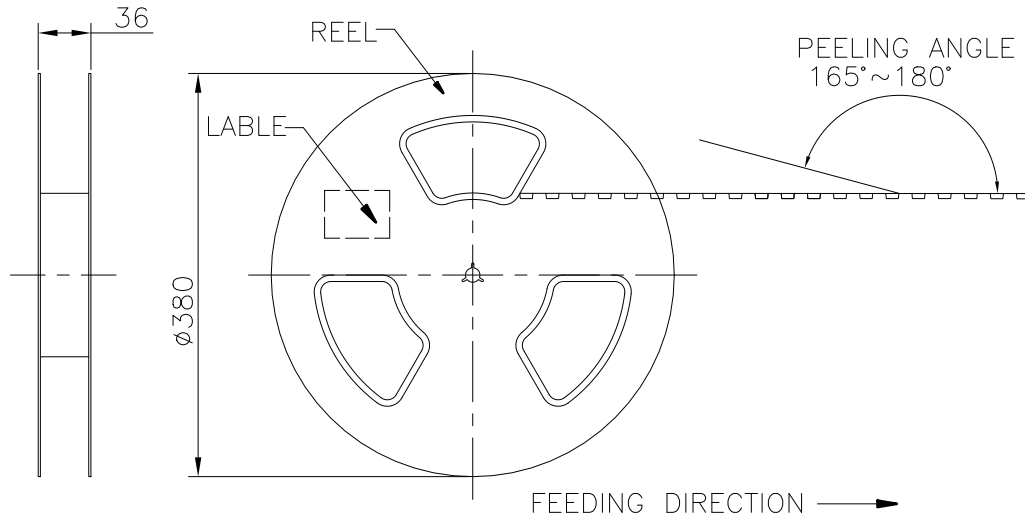


DEREN			
SHENZHEN DEREN ELECTRONIC CO., LTD			
C-DWG:	TY	DATE	TITLE: NGFF 2.0H KEY B GEN4
DESIGN:	Sid Guo	2023.11.14	P/N: 562119-0XXH011X
CHECK:	Mike Chen	2023.11.14	SHEET: 5/6
APPROVAL:	Bill Lin	2023.11.14	SCALE: N/A UNIT: mm

DRAW NO.	SC2208386-7
REV.	A

HF
Halogen Free

EMBOSS WIDTH 32mm, SLOT FORWARD FOR 562119-0XXH0113



1500	5	7500
PCS/TAPE	REELS/BOX	PCS/BOX

DIM	TOL	DIM	TOL
x.	±0.30	x.	±2*
.x	±0.25	.x	±1*
.xx	±0.15		

DEREN
SHENZHEN DEREN ELECTRONIC CO., LTD

C-DWG:	TY	DATE	TITLE: NGFF 2.0H KEY B GEN4
DESIGN:	Sid Guo	2023.11.14	P/N: 562119-0XXH011X
CHECK:	Mike Chen	2023.11.14	SHEET: 6/6
APPROVAL:	Bill Lin	2023.11.14	SCALE: N/A UNIT: mm

DRAW NO. SC2208386-7
REV. A