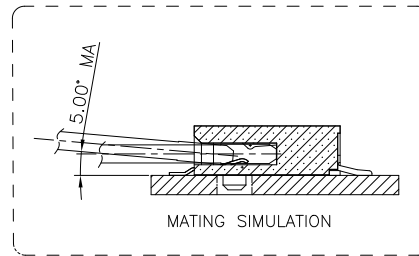
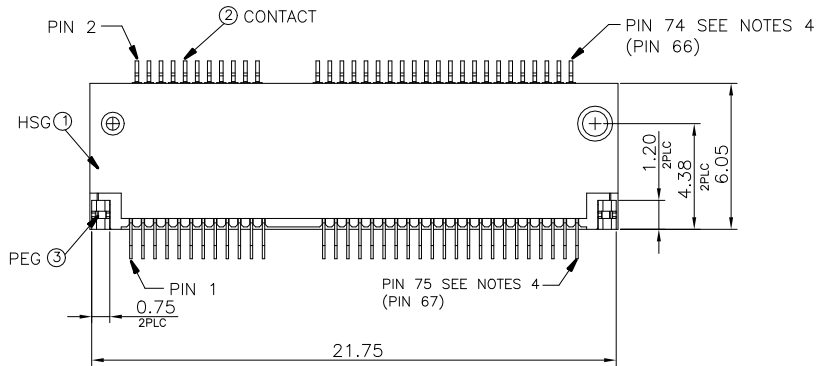
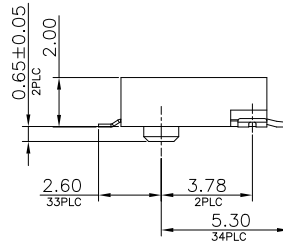
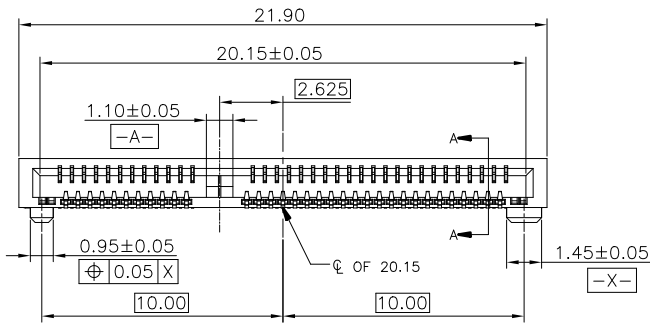
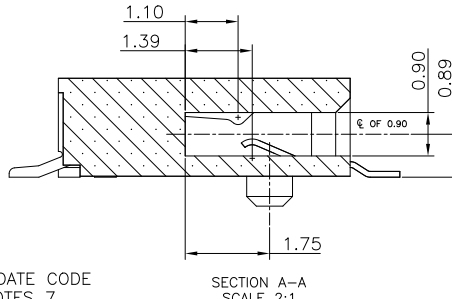
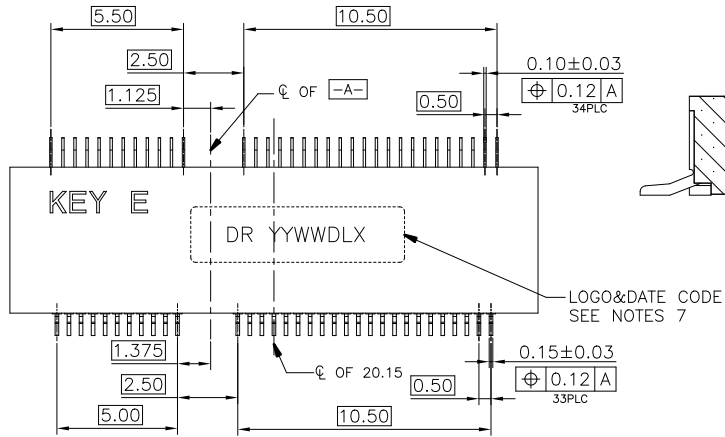


HF

Halogen Free



REV.	ECN NO.	LOCATION	DESCRIPTION	DATE	DESIGN
A			INITIAL RELEASE	2023.11.14	Sid Guo

NOTES:
 MATERIAL MUST MEET DEREN CONTROLLED SUBSTANCES SPEC.PER WI-PB-S-010.
 PRODUCT MUST MEET CONTROLLED SUBSTANCES SPEC. ROHS 2.0

- MATERIAL:
 - HOUSING: LCP , UL94V-0; COLOR: BLACK
 - CONTACTS: PHOSPHOR BRONZE
 - FLOATING PEG: STAINLESS STEEL
- FINISH:
 - CONTACT: GOLD(SEE NOTE 10) PLATED ON CONTACT AREA AND GOLD FLASH ON SOLDER AREA. 50u" MIN. NICKEL UNDERPLATING.
 - FLOATING PEG: 100u" MIN MATTE-TIN. 50u"MIN NICKEL UNDERPLATING.
- REFLOW SOLDER CAPABLE TO 260°C 10SEC.
- ELECTRICAL CHARACTERISTICS:
 - CONTACT CURRENT RATING: 0.5 AMPERE MAX, PER PIN,
 - VOLTAGE RATING: 50V AC.
 - INSULATION RESISTANCE: 500M OHM MIN.(INITIAL), 100M OHM MIN.(FINAL), AT 500V DC,
 - DIELECTRIC WITHSTANDING VOLTAGE: 300V AC RMS AT 60HZ, FOR 1 MINUTE.
 - CONTACT RESISTANCE: 55m OHM MAX(INITIAL) ΔR 20m OHM MAX(FINAL)
- OPERATION TEMPERATURE: -40°C TO +80°C
- MATING FORCE: 2.04Kgf MAX. EXTRACTION FORCE: 0.1Kgf MIN. DURABILITY: 60 CYCLES
- DATE CODE YYWDLX
 - YY: YEAR (09: 2009)
 - WW: WEEK (25: THE 25TH WEEK)
 - D: DAY (1~7: SUNDAY~SATURDAY)
 - L: LINE NUMBER OF ASSEMBLY (A: LINE A)
 - X: MANUFACTURE CODE
- RECOMMENDED STENCIL THICKNESS: 0.12MM MIN
- CONNECTOR ACTUAL PIN QUANTITY IS 67,AS THE KEY TAKING OUT 8 PINS.
- PART NUMBER DESCRIPTION: 562119-0XXH011X

- PACKAGE CODE:
 R: EMBOSS WIDTH 44mm, SLOT BACKWARD
 1: EMBOSS WIDTH 44mm, SLOT FORWARD
 2: EMBOSS WIDTH 32mm, SLOT FORWARD
 3: EMBOSS WIDTH 32mm, SLOT BACKWARD
- Logo:
 0:No Logo
 1:DR Logo
- Color:
 1:Black
 2:White
- RESERVED CODE
 HALOGEN CODE:
 H:HALOGEN FREE
- PLATING CODE:
 11: GF 12: Au5u"
 13: Au10u" 14: Au15u" 15: Au30u"

DIM	TOL	DIM	TOL
X.	±0.30	X.	±2*
.X	±0.25	.X	±1*
.XX	±0.15		

DEREN
 SHENZHEN DEREN ELECTRONIC CO., LTD

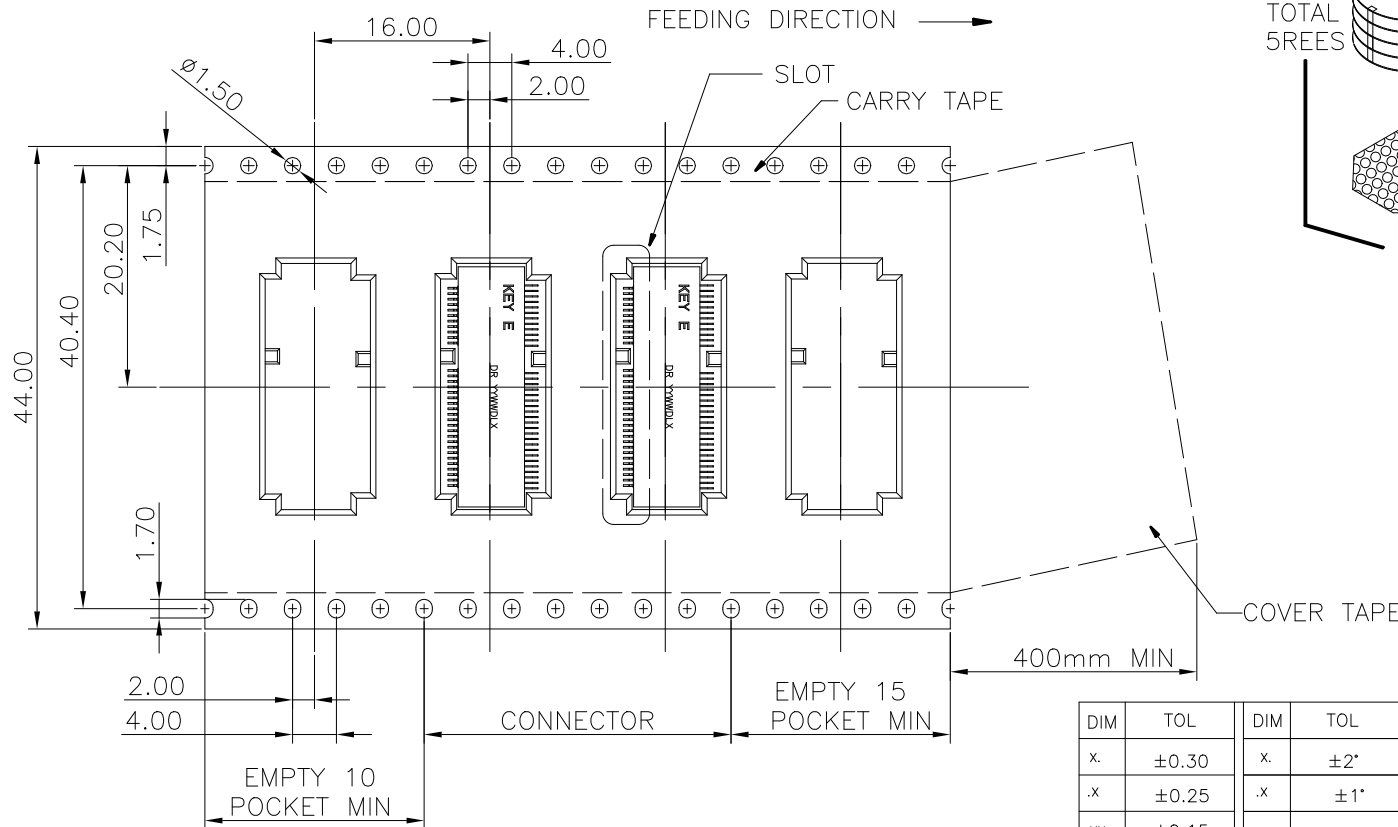
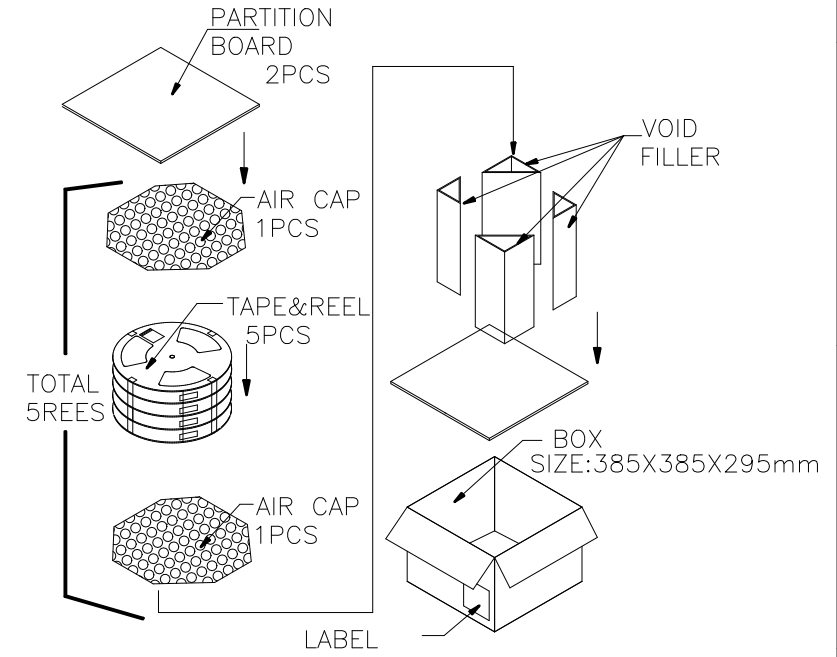
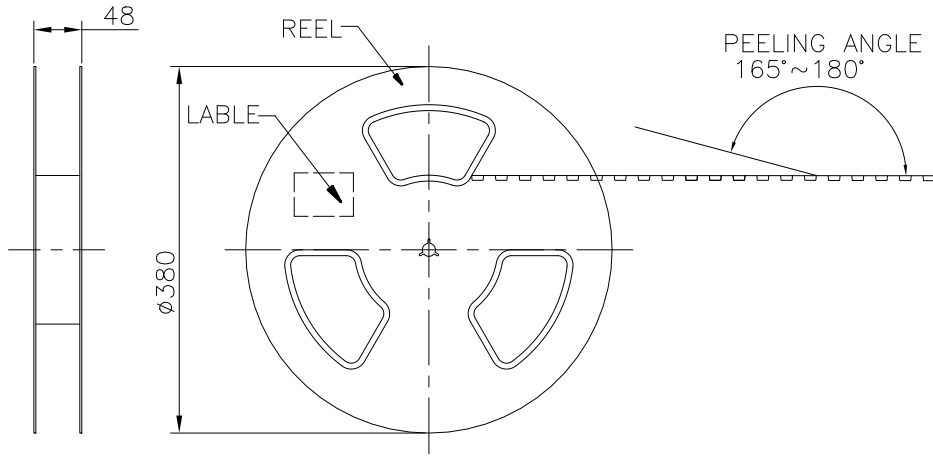
C-DWG:	TY	DATE	TITLE: NGFF 2.0H KEY E GEN4
DESIGN:	Sid Guo	2023.11.14	P/N: 562119-0XXH011X
CHECK:	Mike Chen	2023.11.14	SHEET: 1/6
APPROVAL:	Bill Lin	2023.11.14	SCALE: N/A UNIT: mm

REV.	A	APPROVAL:	Bill Lin	2023.11.14
------	---	-----------	----------	------------

HF

Halogen Free

EMBOSS WIDTH 44mm, SLOT BACKWARD FOR 562119-0XXH011R



1500	5	7500
PCS/TAPE	REELS/BOX	PCS/BOX

DIM	TOL	DIM	TOL
x.	±0.30	x.	±2*
.x	±0.25	.x	±1*
.xx	±0.15		

DEREN
SHENZHEN DEREN ELECTRONIC CO., LTD

C-DWG:	TY	DATE	TITLE: NGFF 2.0H KEY E GEN4
DESIGN:	Sid Guo	2023.11.14	P/N: 562119-0XXH011X
CHECK:	Mike Chen	2023.11.14	SHEET: 3/6
APPROVAL:	Bill Lin	2023.11.14	SCALE: N/A UNIT: mm

DRAW NO. SC2208386-7

REV. A

DESIGN: Sid Guo 2023.11.14

CHECK: Mike Chen 2023.11.14

TITLE: NGFF 2.0H KEY E GEN4

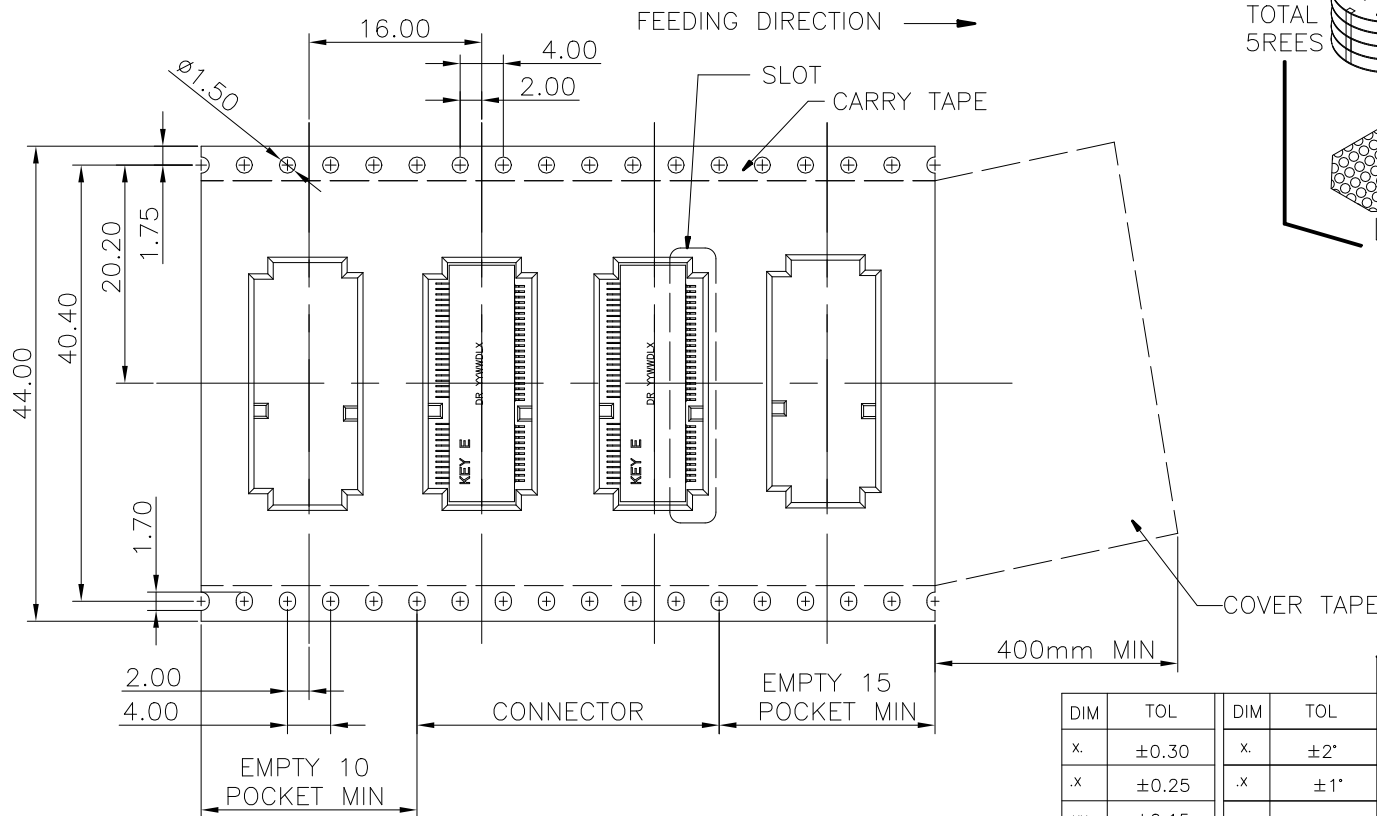
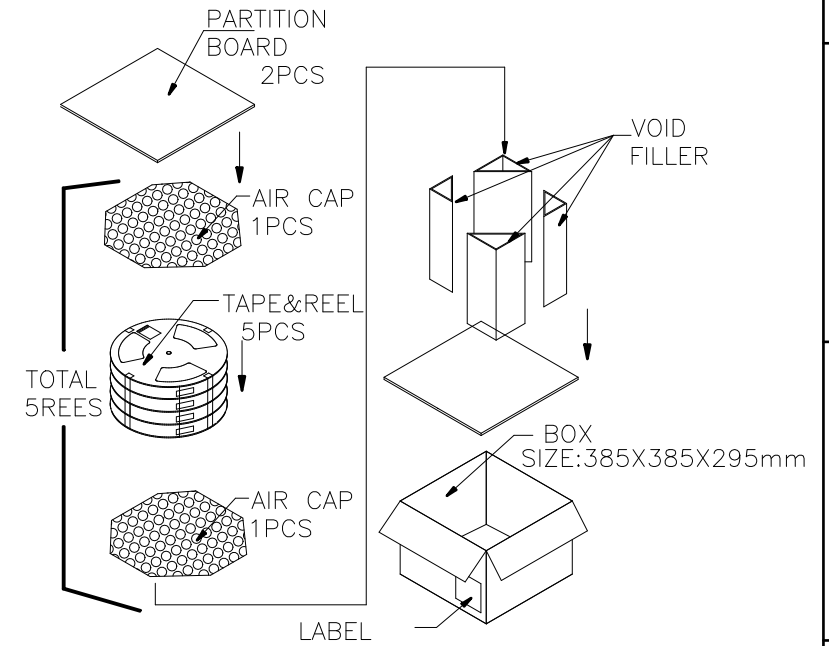
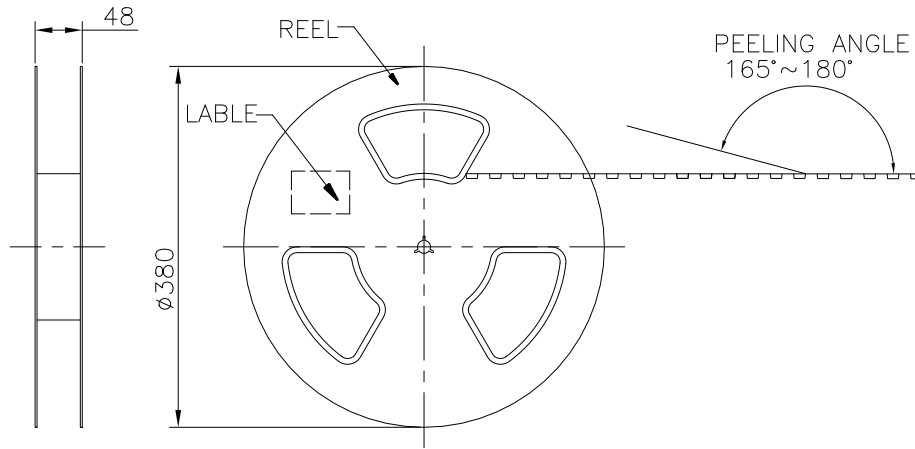
P/N: 562119-0XXH011X

SHEET: 3/6

SCALE: N/A UNIT: mm

HF
Halogen Free

EMBOSS WIDTH 44mm, SLOT FORWARD FOR 562119-0XXH0111



1500	5	7500
PCS/TAPE	REELS/BOX	PCS/BOX

DIM	TOL	DIM	TOL
.x.	±0.30	.x.	±2°
.x	±0.25	.x	±1°
.xx	±0.15		



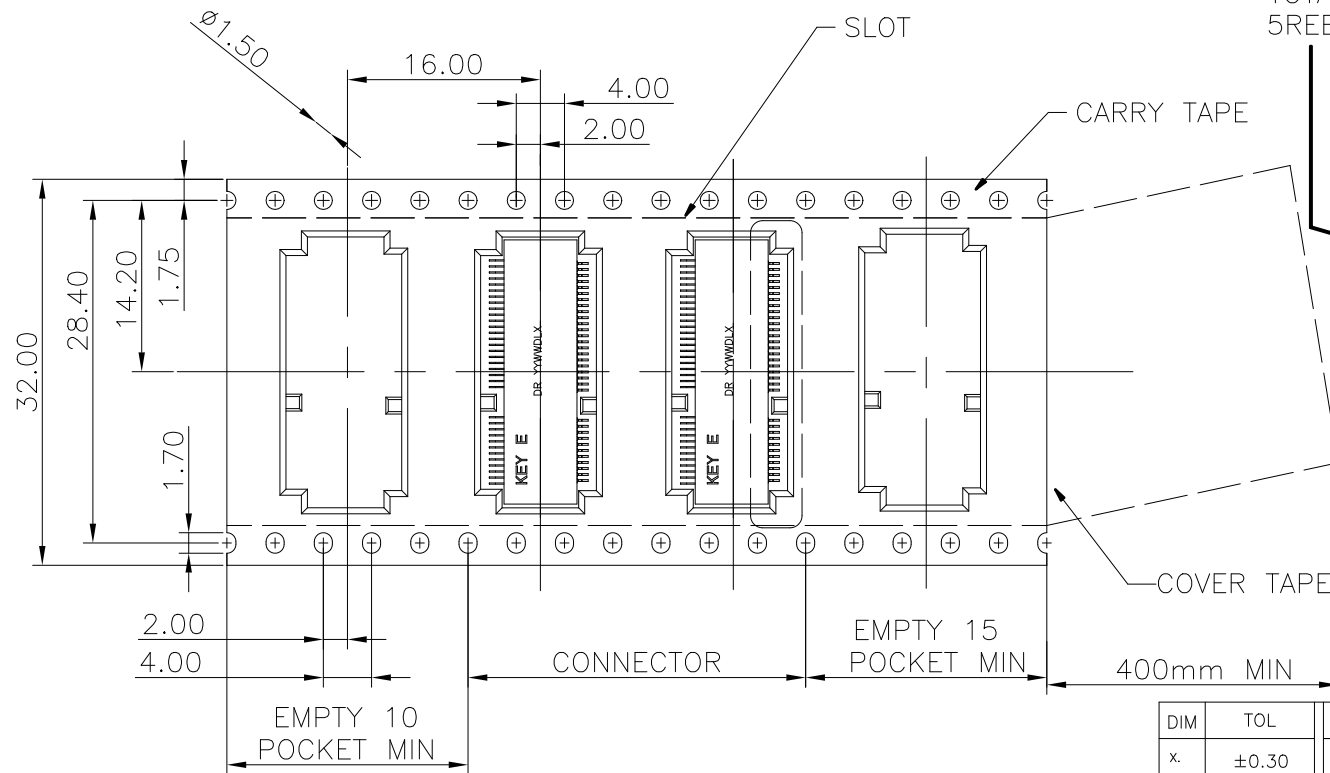
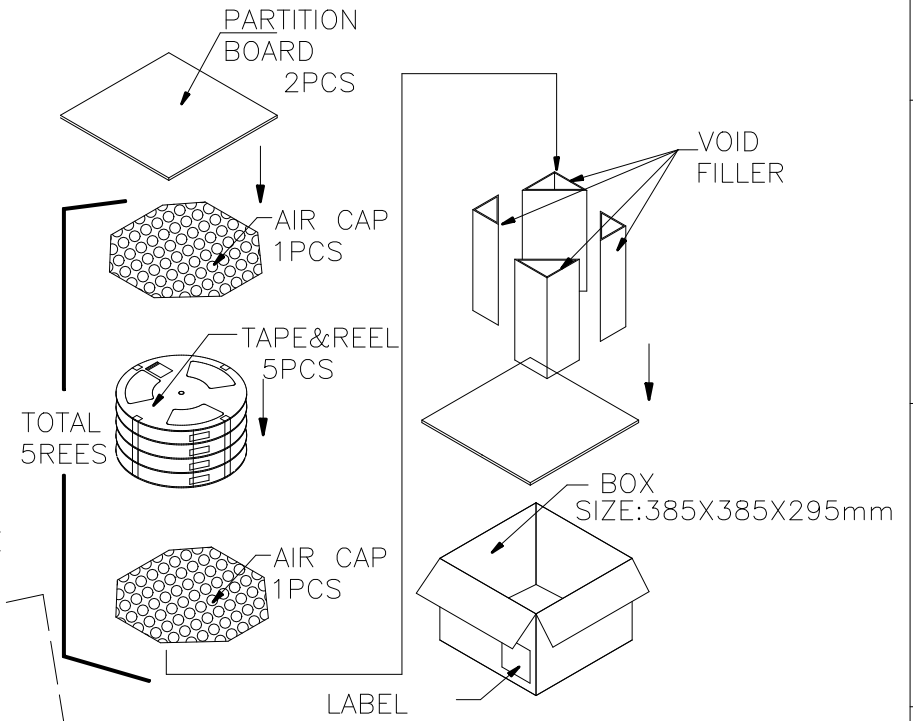
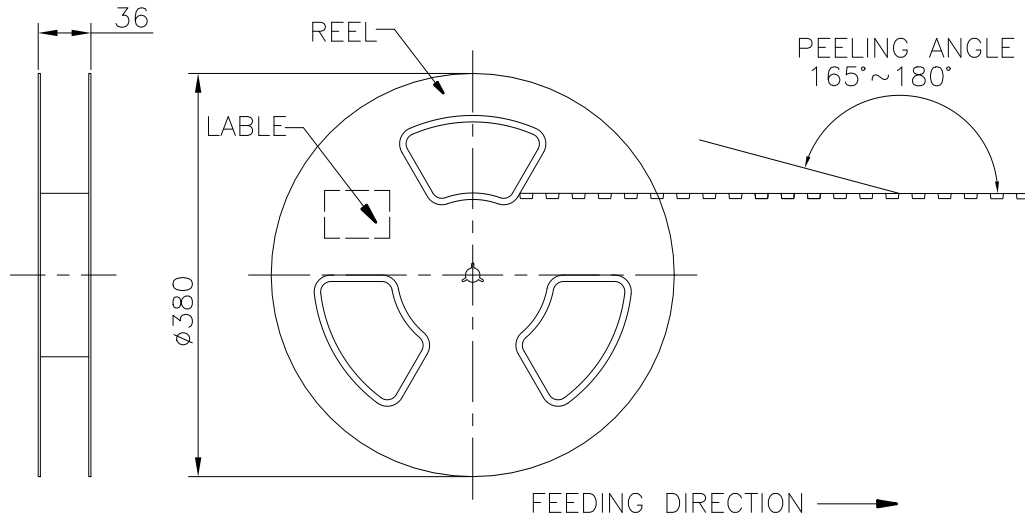
DEREN
SHENZHEN DEREN ELECTRONIC CO., LTD

C-DWG:	YI	DATE:	2023.11.14	TITLE:	NGFF 2.0H KEY E GEN4
DESIGN:	Sid Guo	CHECK:	Mike Chen	P/N:	562119-0XXH011X
SC2208386-7		APPROVAL:	Bill Lin	SHEET:	4/6
REV. A				SCALE:	N/A
				UNIT:	mm

HF

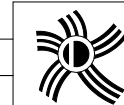
Halogen Free

EMBOSS WIDTH 32mm, SLOT BACKWARD FOR 562119-0XXH0112



1500	5	7500
PCS/TAPE	REELS/BOX	PCS/BOX

DIM	TOL	DIM	TOL
x	±0.30	x	±2*
.x	±0.25	.x	±1*
.xx	±0.15		

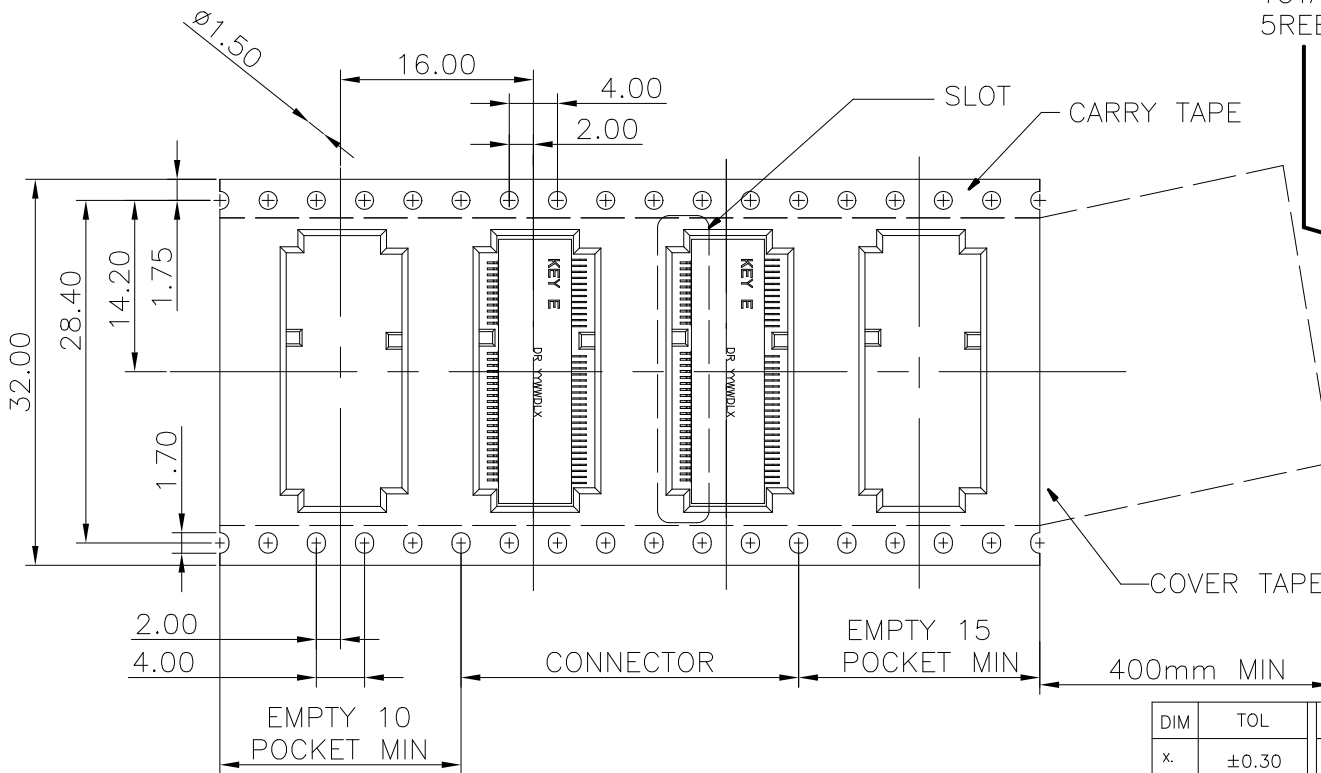
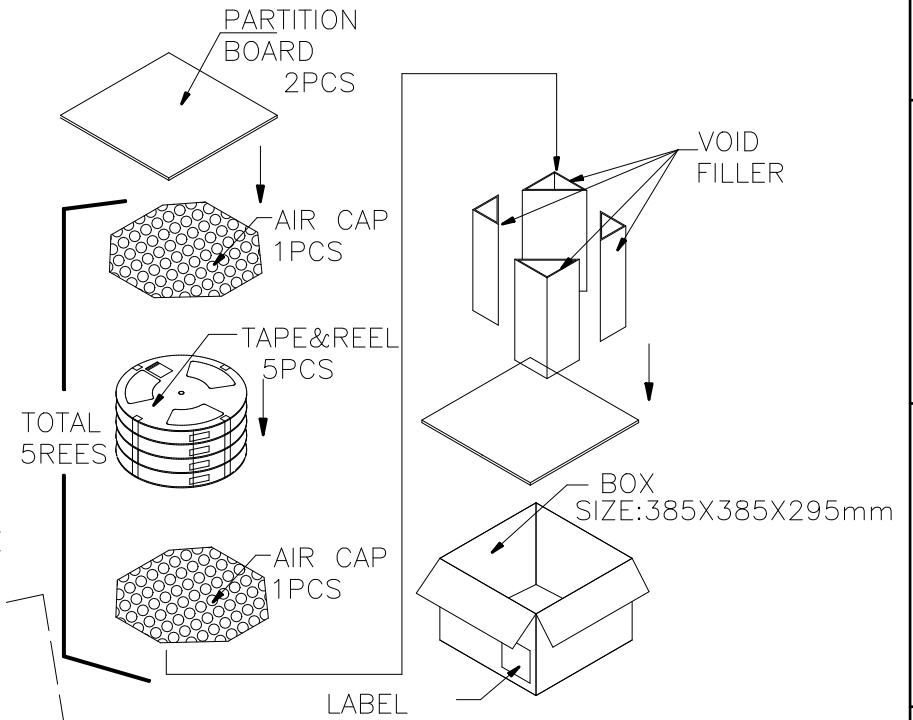
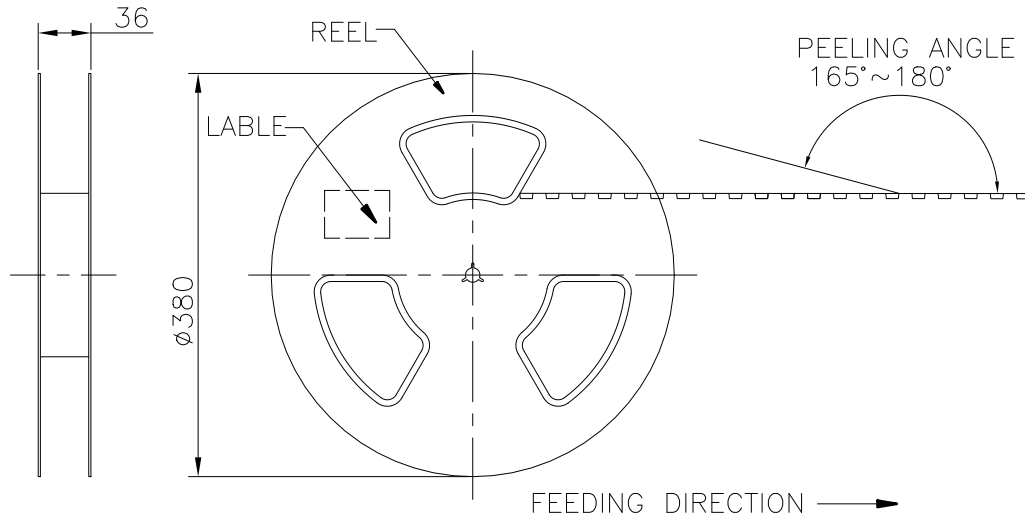


DEREN
SHENZHEN DEREN ELECTRONIC CO., LTD

DRAW NO.	DESIGN:	TY	DATE	TITLE: NGFF 2.0H KEY E GEN4
SC2208386-7	CHECK:	Sid Guo	2023.11.14	P/N: 562119-0XXH011X
REV. A	APPROVAL:	Mike Chen	2023.11.14	SHEET: 5/6
		Bill Lin	2023.11.14	SCALE: N/A UNIT: mm

HF
Halogen Free

EMBOSS WIDTH 32mm, SLOT FORWARD FOR 562119-0XXH0113



1500	5	7500
PCS/TAPE	REELS/BOX	PCS/BOX

DIM	TOL	DIM	TOL
x.	±0.30	x.	±2*
.x	±0.25	.x	±1*
.xx	±0.15		

DEREN
SHENZHEN DEREN ELECTRONIC CO., LTD

C-DWG:	TY	DATE	TITLE: NGFF 2.0H KEY E GEN4
DESIGN:	Sid Guo	2023.11.14	P/N: 562119-0XXH011X
CHECK:	Mike Chen	2023.11.14	SHEET: 6/6
APPROVAL:	Bill Lin	2023.11.14	SCALE: N/A UNIT: mm