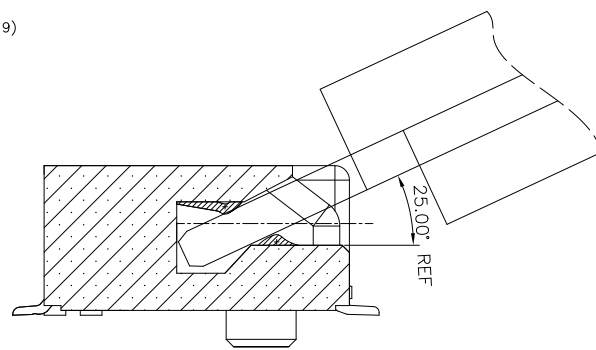
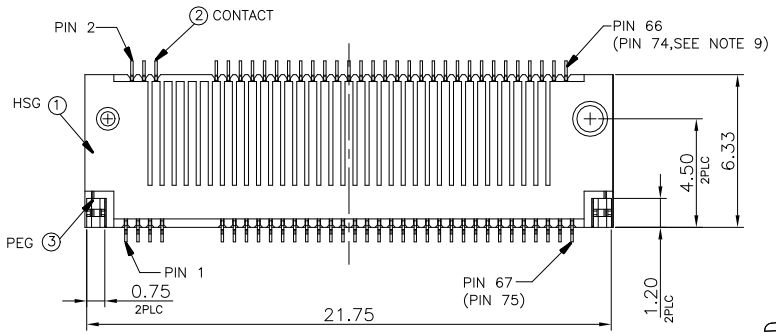
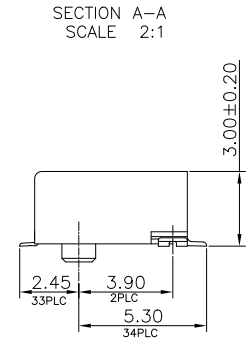
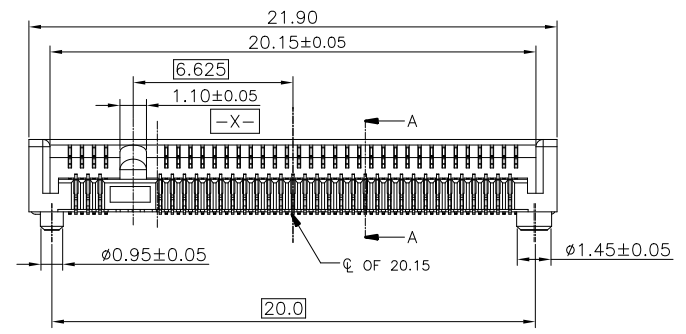
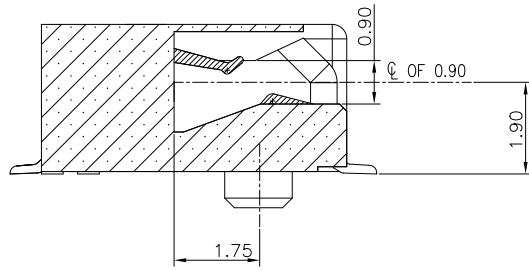
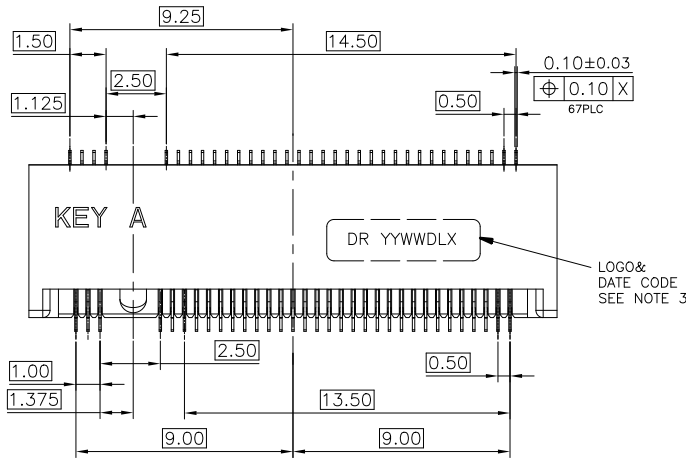


# HF

Halogen Free

REV.	ECN NO.	LOCATION	DESCRIPTION	DATE	DESIGN
A			INITIAL RELEASE	2024.01.11	Sid Guo



MATING SIMILAR SCALE:2:1

- NOTES:  
 PRODUCT MUST MEETS CONTROLLED SUBSTANCES SPEC. ROHS 2.0 AND MEET DEREN CONTROLLED SUBSTANCES SPEC PER WI-PB-S-010
- 1.MATERIAL:  
 1.1 HOUSING:LCP, UL94V.0; COLOR: BLACK  
 1.2 CONTACT PHOSPHOR BROZNE.  
 1.3 SOLDER PEG AND LATCH:STAINLESS STEEL.
- 2.FINISH:  
 2.1 CONTACT: 50u" MIN NICKEL UNDERPLATED ALL OVER. GOLD FLASH PLATING ON SOLDER TAIL.  
 GOLD PLATING (SEE NOTE 10) ON CONTACT AREA.  
 2.2 SOLDER PEG:  
 MATTE TIN 100u" MIN. AND NICKEL 50u" MIN UNDERPLATED.
- 3.LOGO&DATE CODE:  
 LOGO: DR OR DEREN  
 DATECODE: YYWDLX  
 YY: YEAR (09: 2009)  
 WW: WEEK (25: THE 25TH WEEK)  
 D: DAY (1~7: SUNDAY~SATURDAY)  
 L: LINE NUMBER OF ASSEMBLY (A: LINE A)  
 X: MANUFACTURE CODE
- 4.REFLOW SOLDER CAPABLE TO 260°C 10 SEC.
- 5.ELECTRICAL CHARACTERISTICS :  
 5.1 CURRENT RATING:0.5AMP.  
 5.2 CONTACT RESISTANCE:55 MILLIOHMS MAX. INITIAL, 20 MILLIOHMS MAX. CHANGE AFTER TEST.  
 5.3 IMPEDANCE: 85±10% OHMS  
 5.4 INSULATION RESISTANCE:500 MEGOHMS MIN. INITIAL 100 OHM MIN. CHANGE AFTER TEST.  
 5.5 DIELECTRICAL WITHSTAND VOLTAGE:300V AC MIN.AT SEA LEVEL.
- 6.MECHANICAL CHARACTERISTICS:  
 6.1 INSERTION FORCE:20N MAX.PER CONTACT PAIR.  
 6.2 DURABILITY:60 MATING AND UNMATING CYCLES.
- 7.ENVIRONMENTAL CHARACTERISTICS:  
 OPERATING TEMPERATURE RANGE: 40°C TO +80°C.
- 8.RECOMENDED STENCIL THICKNESS:0.12MM MIN.
- 9.CONNECTOR ACTUAL PIN QUANTITY IS 67,AS THE KEY TAKING OUT 8 PINS.
- 10.PART NUMBER DESCRIPTION:  
 562133-0 0 X H 0 1 1 R

- PACKAGE CODE:  
 R: EMBOSS WIDTH 44mm, SLOT BACKWARD
- Logo:  
 0: No Logo  
 1: DR Logo
- Color:  
 1:Black  
 2:White  
 Reserved
- HALOGEN CODE:  
 H:HALOGEN FREE
- PLATING CODE:  
 1: Au GF    2: Au5u"  
 3: Au10u"    4: 15u"    5: Au30u"

TABLE 1:

PART NUMBER	DESCRIPTION	DIM	TOL	DIM	TOL
		x.	±0.30	x.	±2*
562133-001H011R	Au G/F ON CONTACT AREA	x.	±0.25	.x	±1*
562133-002H011R	Au 5u" ON CONTACT AREA	.xx	±0.15		
562133-003H011R	Au 10u" ON CONTACT AREA	.xxx	±0.05		
562133-004H011R	Au 15u" ON CONTACT AREA				
562133-005H011R	Au 30u" ON CONTACT AREA				



**DEREN**  
 SHENZHEN DEREN ELECTRONIC CO., LTD

C-DWG	TY	DATE	TITLE:NGFF 3.2H KEY A GEN4
DESIGN:	Sid Guo	2024.01.11	P/N: SEE TABLE 1
CHECK:	Mike Chen	2024.01.11	SHEET: 1/3
APPROVAL:	Bill Lin	2024.01.11	SCALE: N/A UNIT: mm

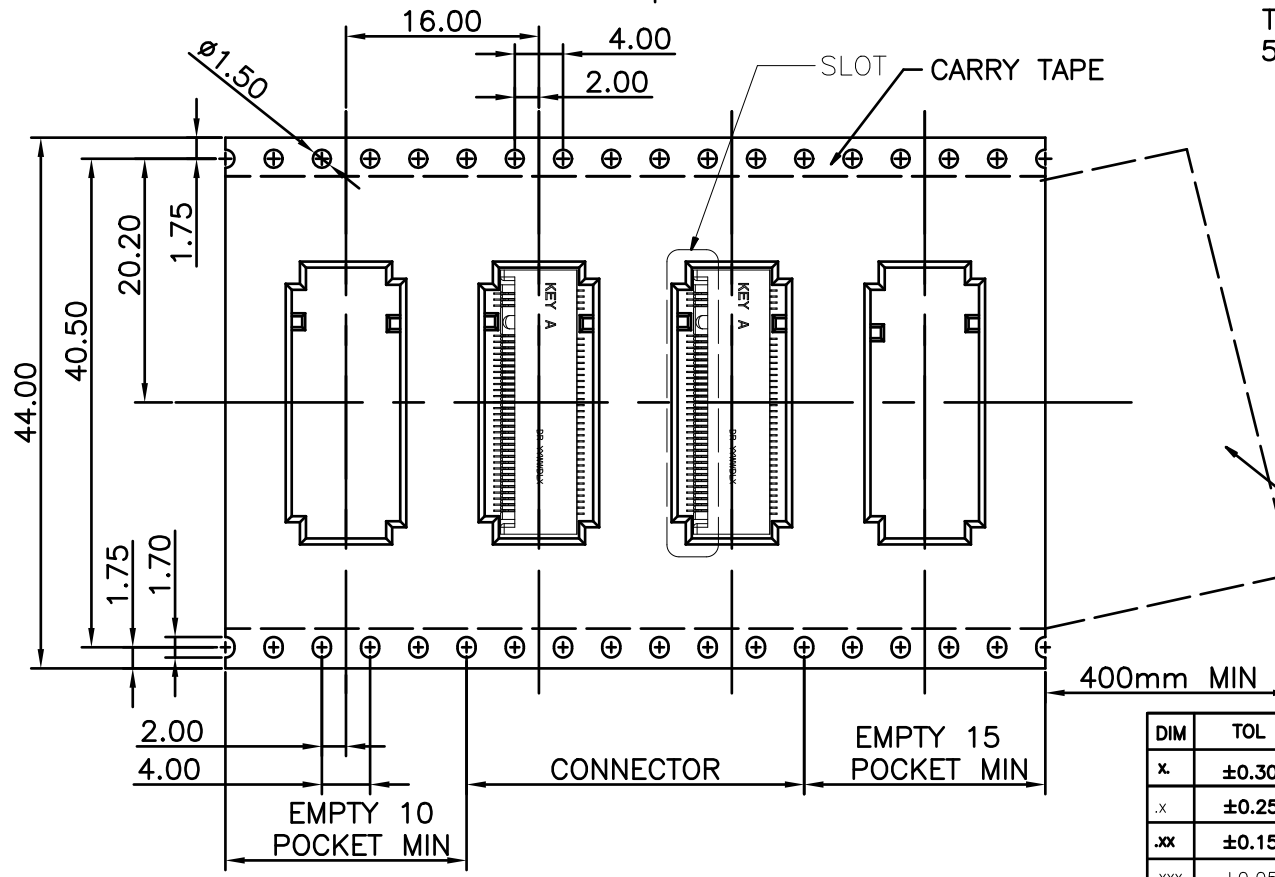
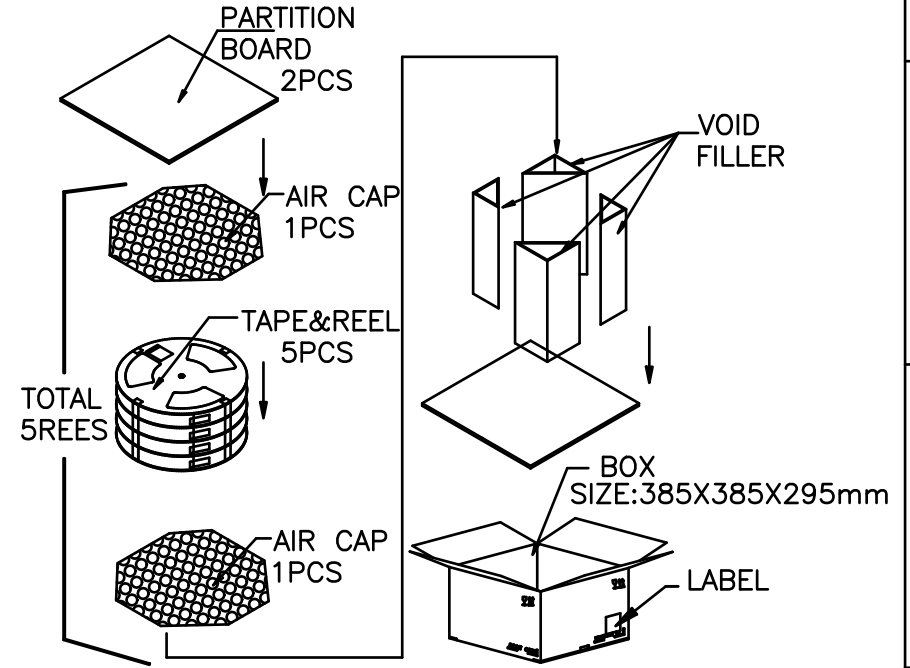
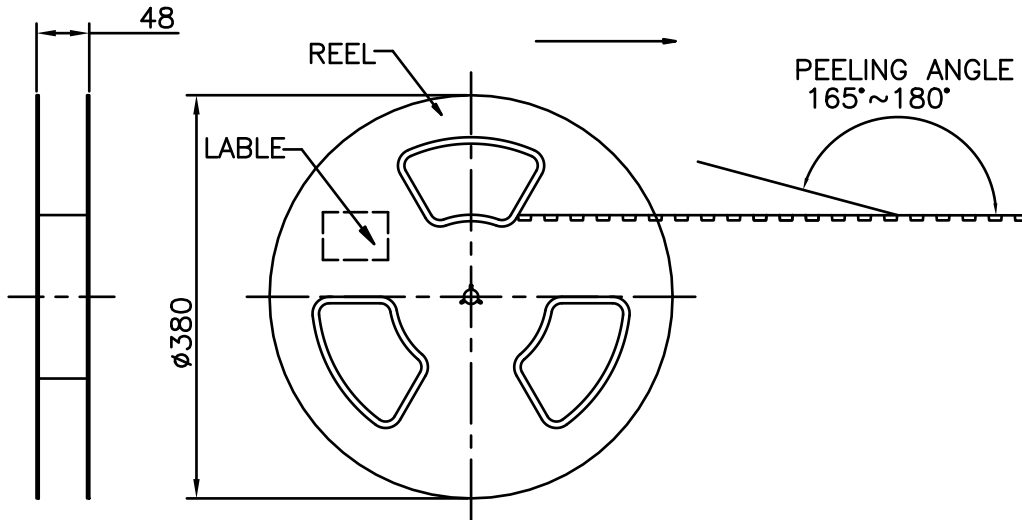
REV. A



# HF

Halogen Free

## FEEDING DIRECTION



1400	5	7000
PCS/TAPE	REELS/BOX	PCS/BOX

DIM	TOL	DIM	TOL
.x	±0.30	.x	±2'
.x	±0.25	.x	±1'
.xx	±0.15		
.xxx	±0.05		

**DEREN**  
SHENZHEN DEREN ELECTRONIC CO., LTD

C-DWG	TY	DATE
DESIGN:	Sid Guo	2024.01.11
CHECK:	Mike Chen	2024.01.11
APPROVAL:	Bill Lin	2024.01.11

DRAW NO.	TITLE: NGFF 3.2H KEY A GEN4
SC2208387-2	P/N: SEE TABLE 1
REV. A	SHEET: 3/3
	SCALE: N/A UNIT: mm