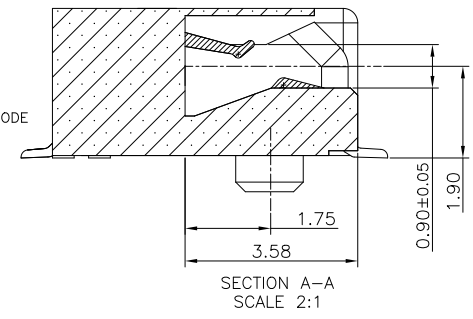
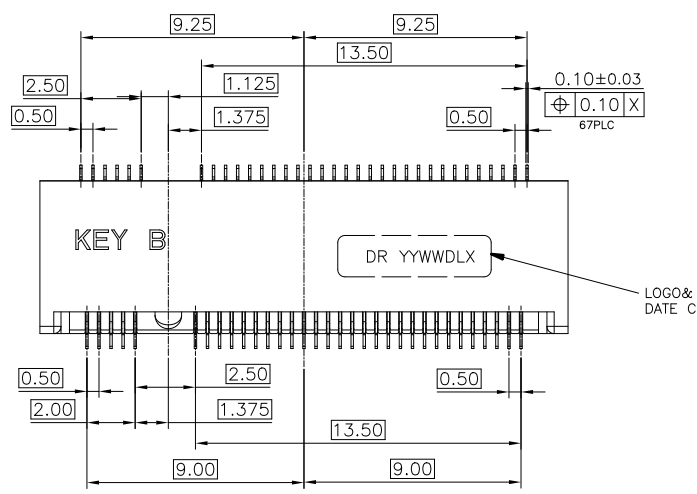


HF

Halogen Free

REV.	ECN NO.	LOCATION	DESCRIPTION	DATE	DESIGN
A			INITIAL RELEASE	2023.11.30	Sid Guo



NOTES:

- MATERIAL:
 - HOUSING:HIGH TEMPERATURE THERMOPLASTIC, UL94V-0,COLOR:BLACK.
 - CONTACT:COPPER ALLOY.
 - SOLDER PEG:STAINLESS STEEL.
- FINISH:
 - CONTACT:UNDERPLATING NICKEL 50u" MIN ALL OVER. MATING AREA:GOLD PLATING, THICKNESS SEE TABLE 1. SOLDER AREA:GOLD FLASH ON SOLDER TAIL.
 - SOLDER PEG:UNDERPLATING NICKEL 50u" MIN ALL OVER,80u" MIN MATTE TIN ON SURFACE
- LOGO&DATE CODE :LOGO: DR OR DEREN, DATE CODE: YYWWDLX
 YY: YEAR (09: 2009)
 WW: WEEK (25: THE 25TH WEEK)
 D: DAY (1~7: SUNDAY~SATURDAY)
 L: LINE NUMBER OF ASSEMBLY (A: LINE A)
 X: MANUFACTURE CODE
- RECOMMENDE STENCIL THICKNESS .012MM MIN
- CONNECTOR ACTUAL PIN QUANTITY IS 67, AS THE KEY TAKING OUT 8 PINS.

562134-0 0 X H 0 1 1 R

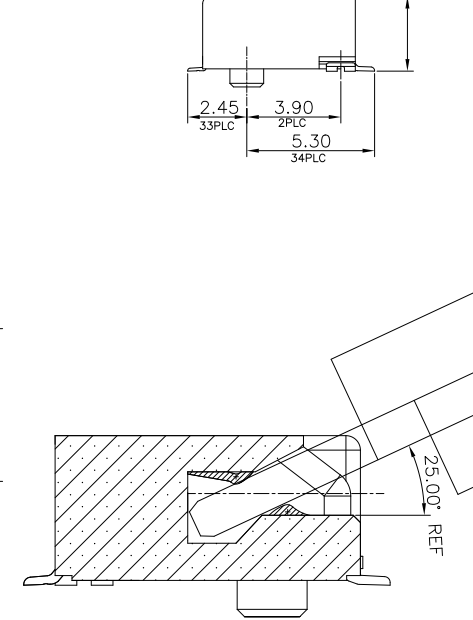
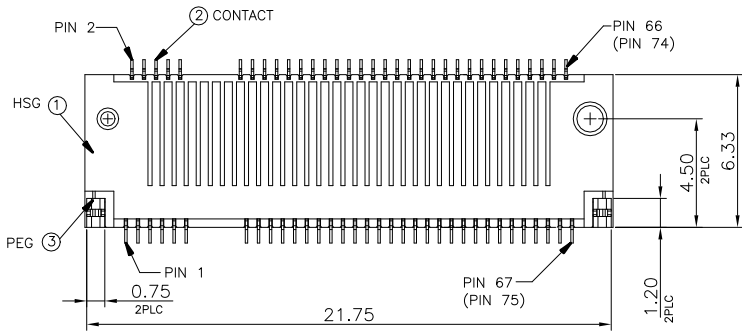
PACKAGE CODE:
 R: EMBOSS WIDTH 44mm, SLOT BACKWARD

Logo: 0: No Logo
 1: DR Logo

Color:
 1:Black
 2:White
 Reserved

HALOGEN CODE:
 H:HALOGEN FREE


PLATING CODE:
 1: Au GF 2: Au5u"
 3: Au10u" 4: 15u"
 5: Au30u"



MATING SIMILAR
SCALE:2:1

TABLE 1:

PART NUMBER	DESCRIPTION	DIM	TOL	DIM	TOL
562134-001H011R	Au G/F ON CONTACT AREA	x.	±0.30	x.	±2*
562134-002H011R	Au 5u" ON CONTACT AREA	.x	±0.25	.x	±1*
562134-003H011R	Au 10u" ON CONTACT AREA	.xx	±0.15		
562134-004H011R	Au 15u" ON CONTACT AREA	.xxx	±0.05		
562134-005H011R	Au 30u" ON CONTACT AREA				



DEREN

SHENZHEN DEREN ELECTRONIC CO., LTD

C-DWG	TY	DATE	TITLE:NGFF 3.2H Key B GEN4
DESIGN:	Sid Guo	2023.11.30	P/N: SEE TABLE 1
CHECK:	Mike Chen	2023.11.30	SHEET: 1/3
APPROVAL:	Bill Lin	2023.11.30	SCALE: N/A UNIT: mm

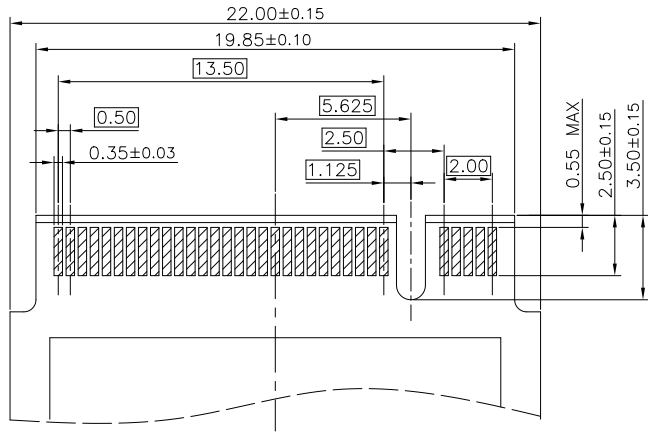
REV. A

DRAW NO.
SC2208387-2

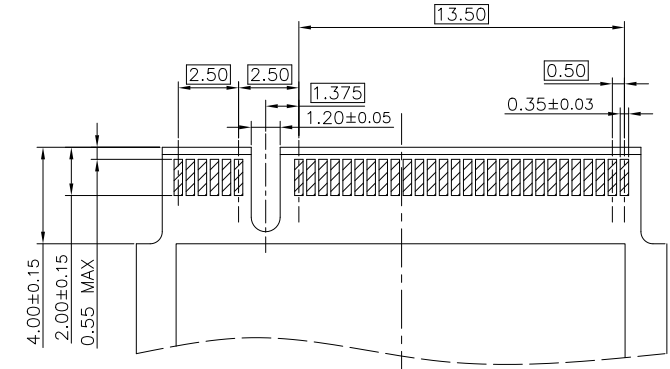
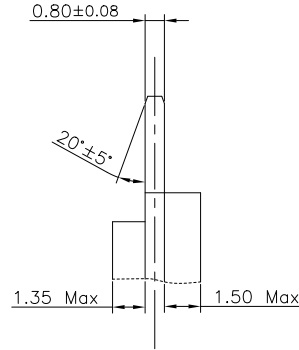
HF

Halogen Free

PLUG PCB

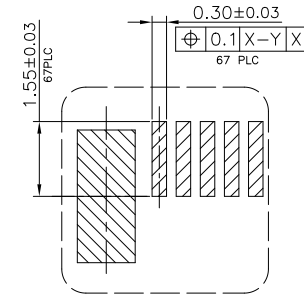
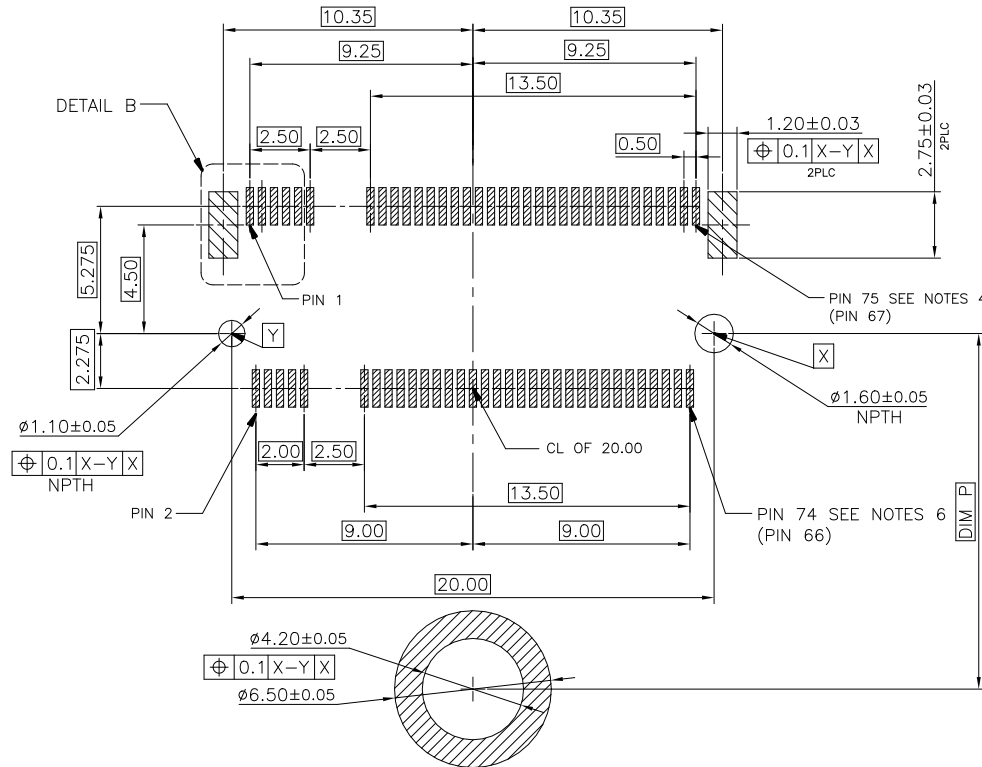


BOTTOM SIDE



TOP SIDE

RECOMMENDED PCB LAYOUT(TOP VIEW)



DETAIL B
SCALE 2:1

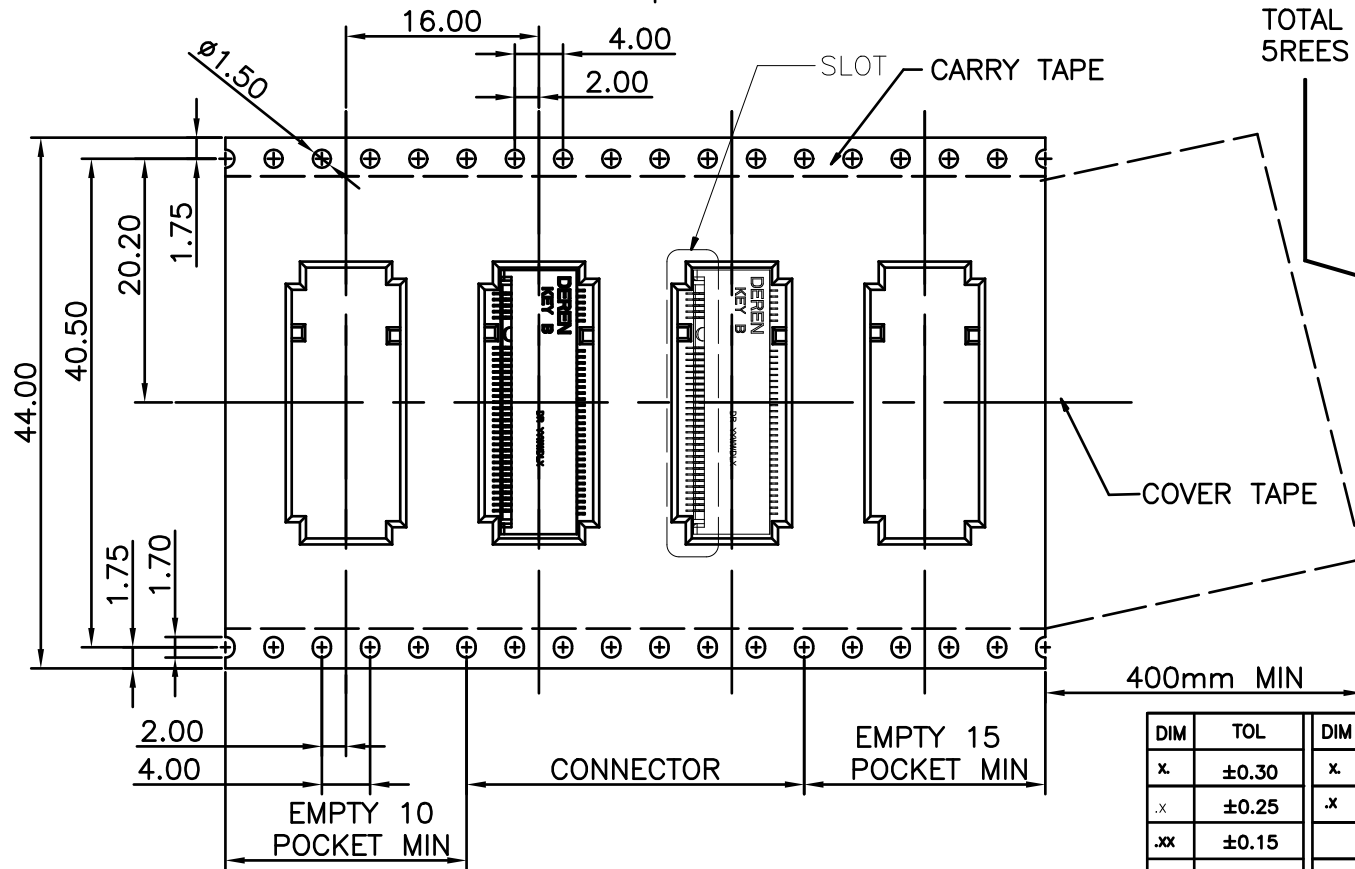
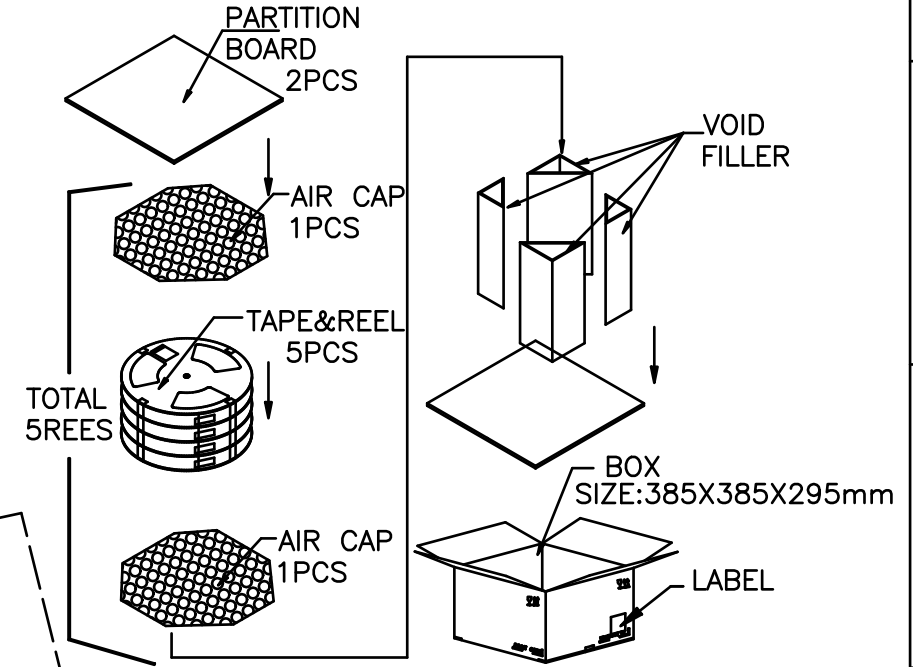
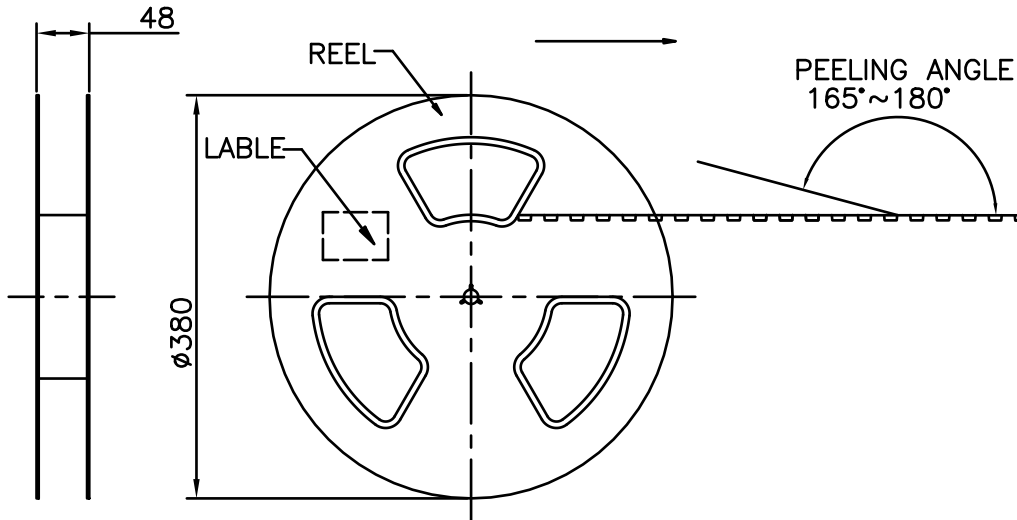
22110	108.25
2280	78.25
2260	58.25
2242	40.25
2230	28.25
3042	40.25
3030	28.25
MODULE TYPE	DIM P

		DEREN SHENZHEN DEREN ELECTRONIC CO., LTD		C-DWG TY DATE		TITLE: NGFF 3.2H Key B GEN4	
DIM TOL		DIM TOL		DESIGN: Sid Guo 2023.11.30		P/N: SEE TABLE 1	
.x ±0.30 .x ±0.25 .xx ±0.15 .xxx ±0.05		.x ±2° .x ±1°		DRAW NO. SC2208387-2		CHECK: Mike Chen 2023.11.30	
				APPROVAL: Bill Lin 2023.11.30		SHEET: 2/3	
				REV. A		SCALE: N/A UNIT: mm	

HF

Halogen Free

FEEDING DIRECTION



1400	5	7000
PCS/ TAPE	REELS/ BOX	PCS/BOX

DIM	TOL	DIM	TOL
x	±0.30	x	±2'
.x	±0.25	.x	±1'
.xx	±0.15		
.xxx	±0.05		

DEREN
SHENZHEN DEREN ELECTRONIC CO., LTD

C-DWG	TY	DATE	TITLE: NGFF 3.2H Key B GEN4
DESIGN:	Sid Guo	2023.11.30	P/N: SEE TABLE 1
CHECK:	Mike Chen	2023.11.30	SHEET: 3/3
APPROVAL:	Bill Lin	2023.11.30	SCALE: N/A UNIT: mm

DRAW NO. SC2208387-2

REV. A