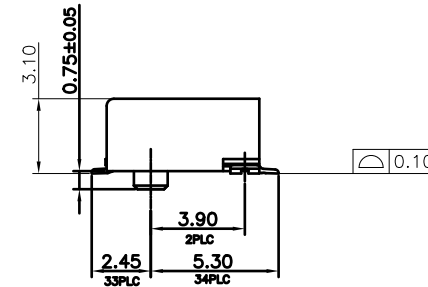
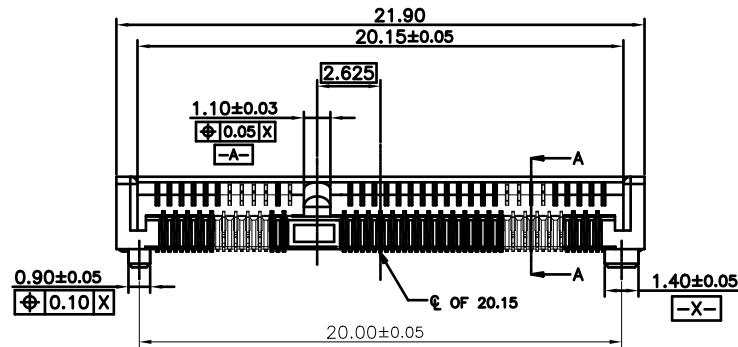
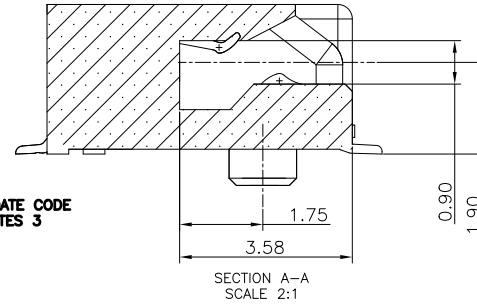
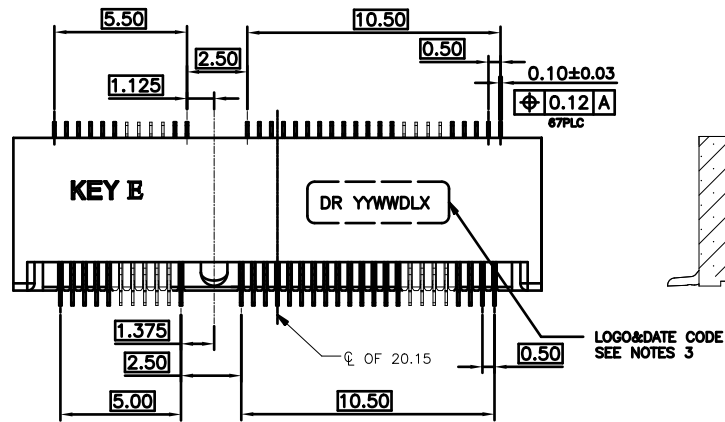


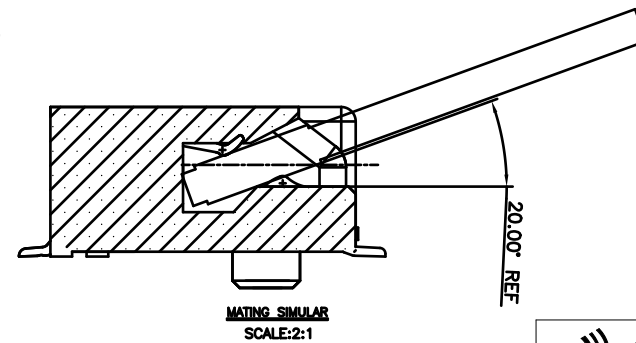
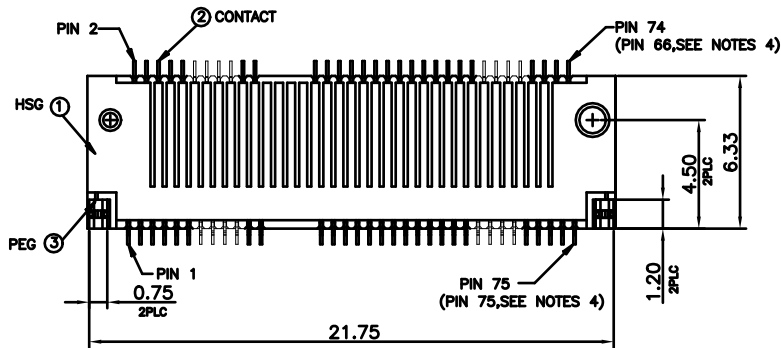
REV.	ECN NO.	LOCATION	DESCRIPTION	DATE	DESIGN
A			INITIAL RELEASE	2023.11.18	Sid Guo



- NOTES:
PRODUCT MUST MEET CONTROLLED SUBSTANCES SPEC. ROHS 2.0
AND MEET DEREN CONTROLLED SUBSTANCES SPEC PER WI-PB-S-010
- 1.MATERIAL:
1.1 HOUSING:LCP, UL94V.0; COLOR: BLACK
1.2 CONTACT PHOSPHOR BROZNE.
1.3 SOLDER PEG AND LATCH:STAINLESS STEEL.
- 2.FINISH:
2.1 CONTACT: 50u" MIN NICKEL UNDERPLATED ALL OVER.
GOLD FLASH PLATING ON SOLDERTAIL.
GOLD PLATING (SEE NOTE 9) ON CONTACT AREA.
2.2 SOLDER PEG:
MATTE TIN 100u" MIN. AND NICKEL 50u" MIN UNDERPLATED.
- 3.LOGO&DATE CODE:
LOGO: DR OR DEREN
DATECODE: YYWDLX
YY: YEAR (09: 2009)
WW: WEEK (25: THE 25TH WEEK)
D: DAY (1~7: SUNDAY~SATURDAY)
L: LINE NUMBER OF ASSEMBLY (A: LINE A)
X: MANUFACTURE CODE
- 4.REFLOW SOLDER CAPABLE TO 260°C 10 SEC.
- 5.ELECTRICAL CHARACTERISTICS :
5.1 CURRENT RATING:0.5AMP.
5.2 CONTACT RESISTANCE:55 MILLIOHMS MAX. INITIAL,
20 MILLIOHMS MAX. CHANGE AFTER TEST.
5.3 IMPEDANCE:85±10% OHMS
5.4 INSULATION RESISTANCE:500 MEGOHMS MIN. INITIAL
100 OHM MIN. CHANGE AFTER TEST.
5.5 DIELECTRICAL WITHSTAND VOLTAGE:300V AC
MIN.AT SEA LEVEL.
- 6.MECHANICAL CHARACTERISTICS:
6.1 INSERTION FORCE:20N MAX.PER CONTACT PAIR.
6.2 DURABILITY:60 MATING AND UNMATING CYCLES.
- 7.ENVIRONMENTAL CHARACTERISTICS:
OPERATING TEMPERATURE RANGE:-40°C TO +80°C.
- 8.RECOMMENDED STENCIL THICKNESS:0.12MM MIN.
- 9.PART NUMBER DESCRIPTION:
562135-00X H 0 1 1 X


- PACKAGE CODE:
R: EMBOSS WIDTH 44mm, SLOT BACKWARD
1: EMBOSS WIDTH 44mm, SLOT FORWARD
2: EMBOSS WIDTH 32mm, SLOT BACKWARD
3: EMBOSS WIDTH 32mm, SLOT FORWARD

- Logo:
0:No Logo
1:DR Logo
- Color:
1:Black
2:White
RESERVED
- HALOGEN CODE:
H:HALOGEN FREE
- PLATING CODE:
1: Au GF 2: Au5u"
3: Au10u" 4: 15u" 5: Au30u"



MATING SIMILAR
SCALE:2:1

DIM	TOL	DIM	TOL
x	±0.30	x	±2'
x.x	±0.25	.x	±1'
.xx	±0.15		
.xxx	±0.05		



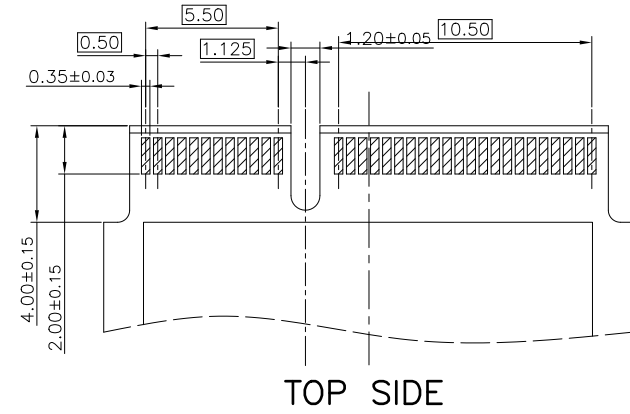
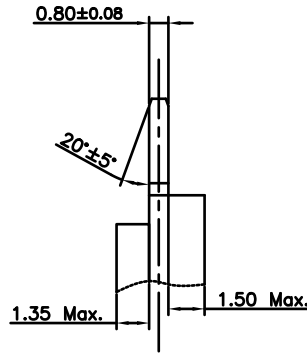
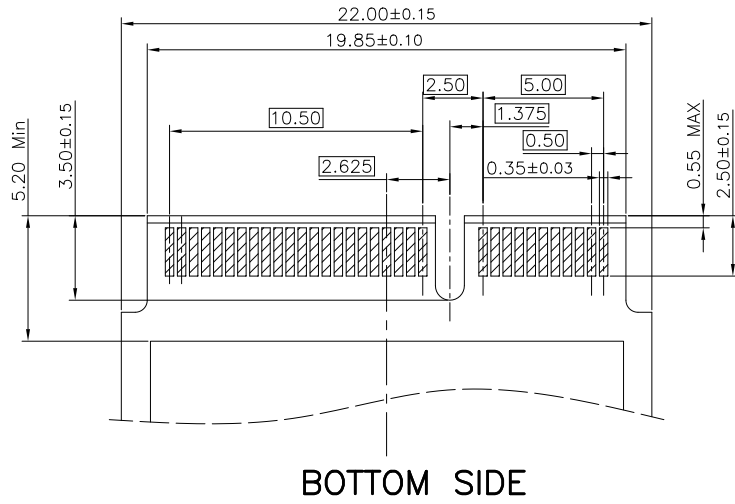
DEREN
SHENZHEN DEREN ELECTRONIC CO., LTD

C-DWG	TY	DATE	TITLE: NGFF 3.2H GEN4 KEY E
DESIGN:	Sid Guo	2023.11.18	P/N: 562135-00XH011X
CHECK:	Mike Chen	2023.11.18	SHEET: 1/6
APPROVAL:	Bill Lin	2023.11.18	SCALE: N/A UNIT: mm

DRAW NO.
SC2208575-2

REV. A

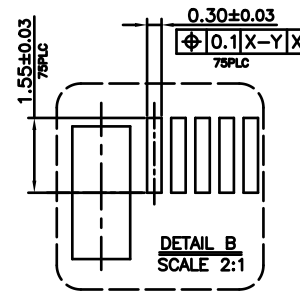
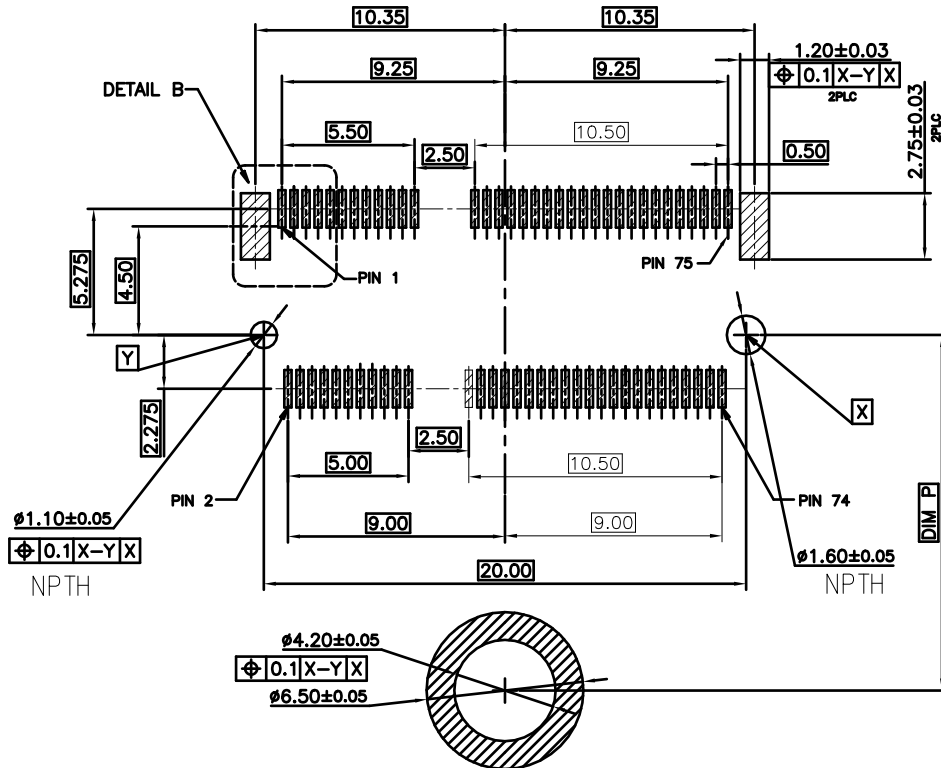
PLUG PCB



BOTTOM SIDE

TOP SIDE

RECOMMENDED PCB LAYOUT(TOP VIEW)



22110	108.25
2280	78.25
2260	58.25
2242	40.25
2230	28.25
3042	40.25
3030	28.25
MODULE TYPE	DIM P

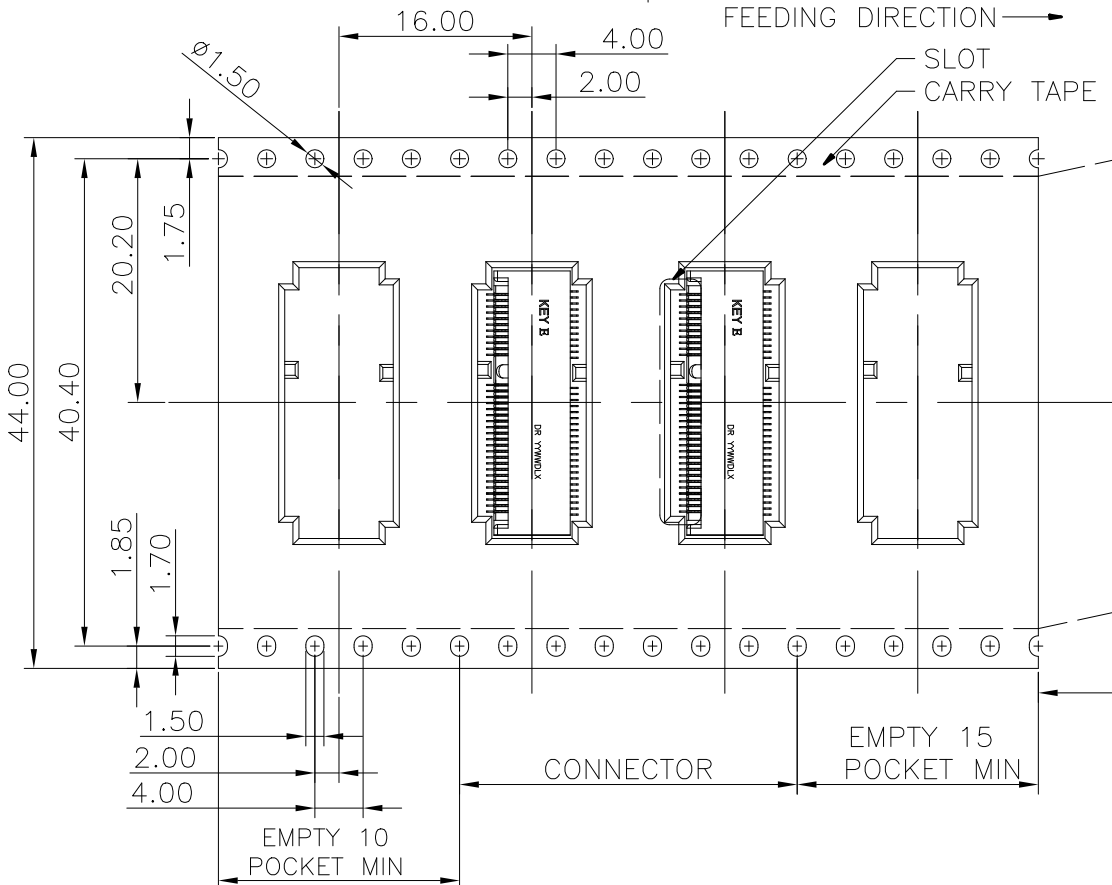
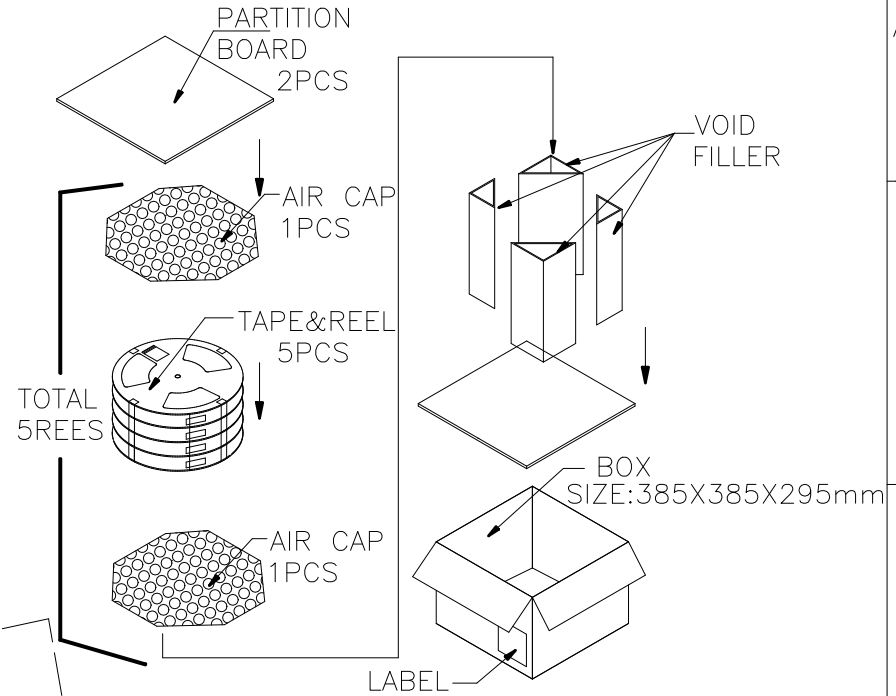
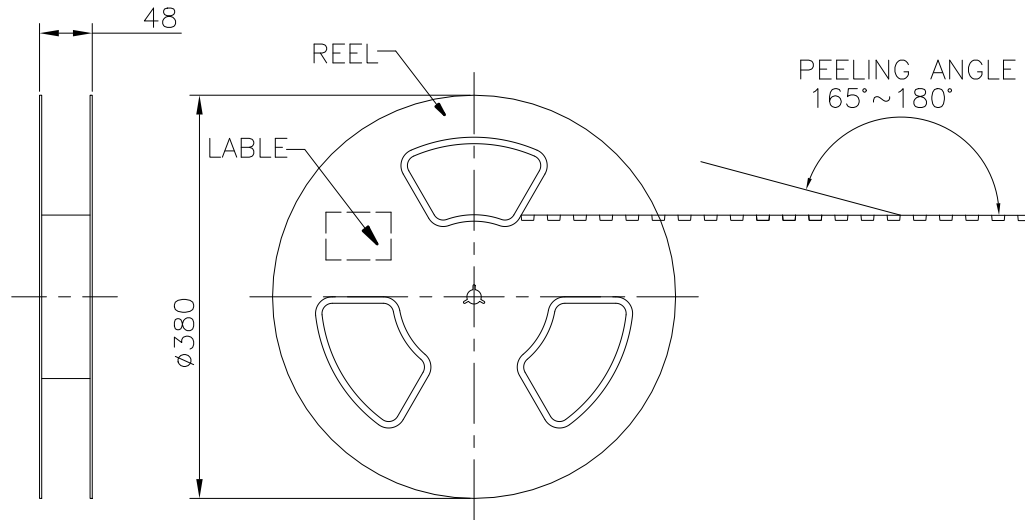
DIM	TOL	DIM	TOL
X	±0.30	x	±2°
.X	±0.25	.X	±1°
.XX	±0.15		

DEREN
SHENZHEN DEREN ELECTRONIC CO., LTD

C-DWG	TY	DATE	TITLE: NGFF 3.2H GEN4 KEY E
DESIGN: Sid Guo	2023.11.18	P/N: 562135-00XH011X	
CHECK: Mike Chen	2023.11.18	SHEET: 2/6	
APPROVAL: Bill Lin	2023.11.18	SCALE: N/A	UNIT: mm

DRAW NO. SC2208575-2
REV. A

EMBOSS WIDTH 44mm, SLOT BACKWARD FOR 562135-00XH011R



COVER TAPE

1400	5	7000
PCS/TAPE	REELS/BOX	PCS/BOX

400mm MIN

DIM	TOL	DIM	TOL
x.	±0.30	x.	±2*
.x	±0.25	.x	±1*
.xx	±0.15		



DEREN
SHENZHEN DEREN ELECTRONIC CO., LTD

C-DWG	TY	DATE	TITLE: NGFF 3.2H GEN4 KEY E
DESIGN: Sid Guo	2023.11.18	P/N: 562135-00XH011X	
CHECK: Mike Chen	2023.11.18	SHEET: 3/6	
APPROVAL: Bill Lin	2023.11.18	SCALE: N/A	UNIT: mm

DRAW NO. SC2208575-2

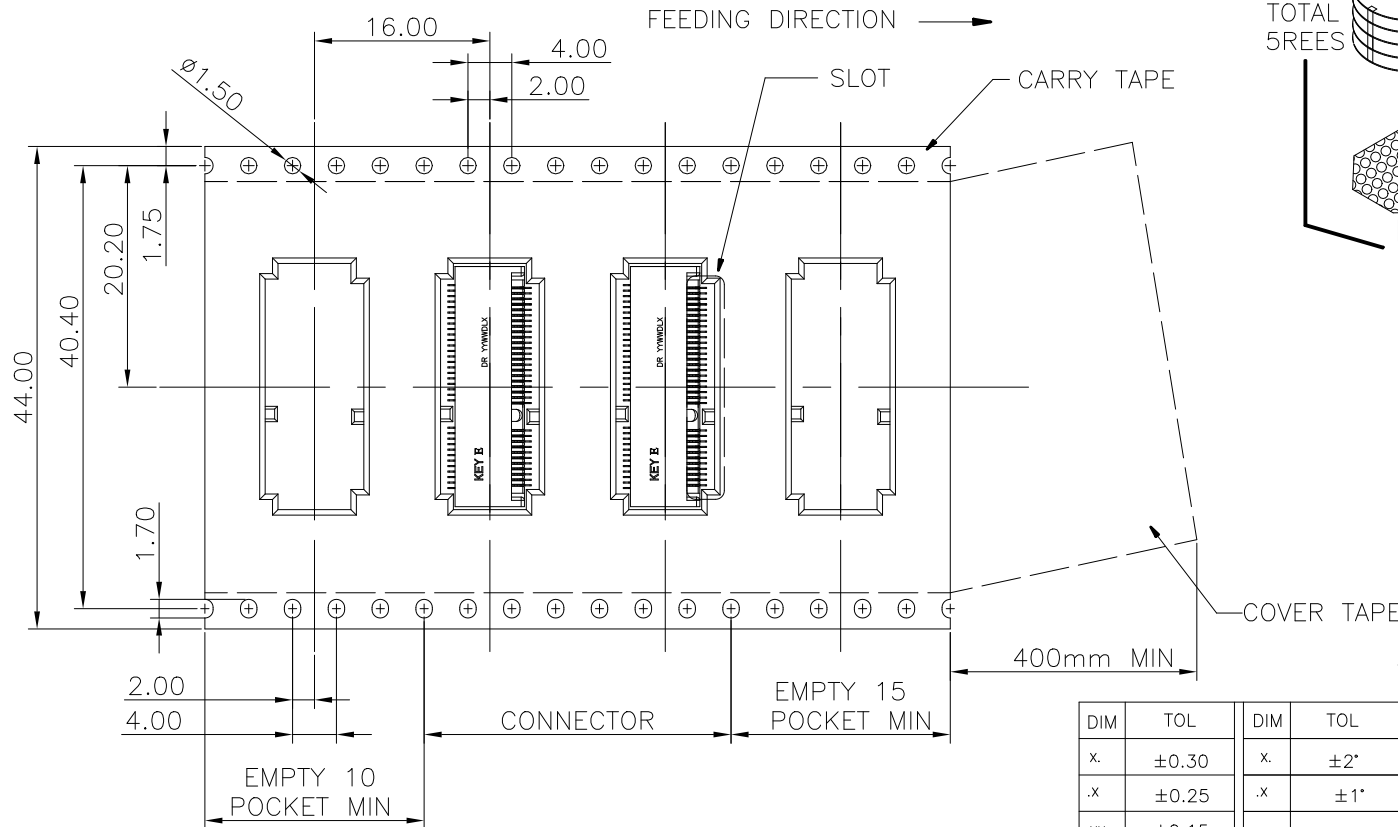
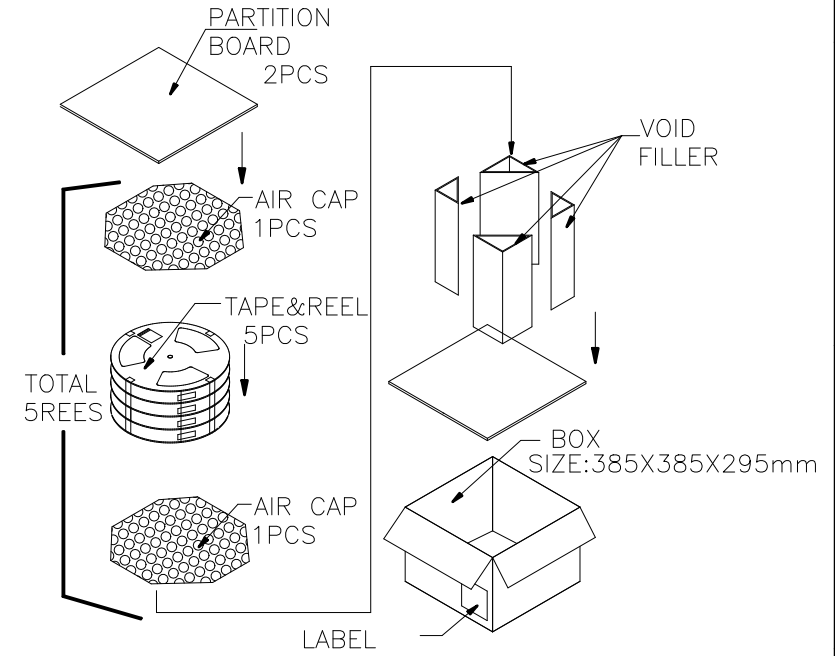
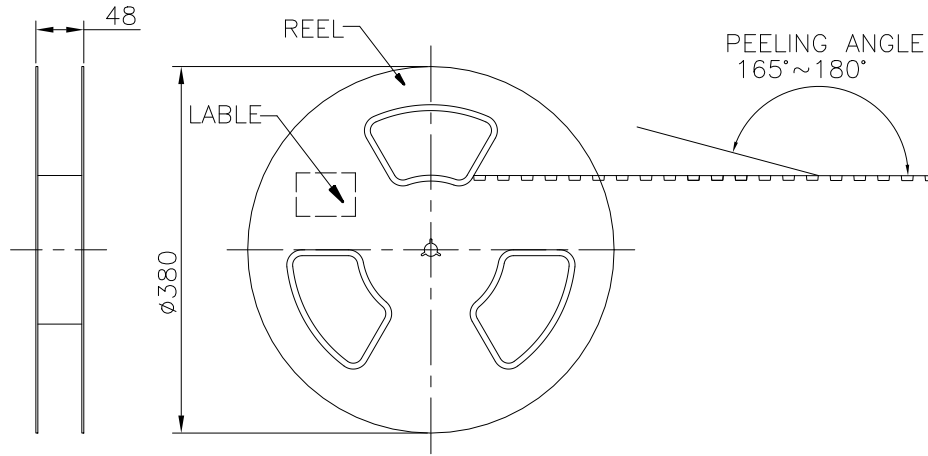
CHECK: Mike Chen

REV. A

HF

Halogen Free

EMBOSS WIDTH 44mm, SLOT FORWARD FOR 562135-00XH0111



1400	5	7000
PCS/TAPE	REELS/BOX	PCS/BOX

DIM	TOL	DIM	TOL
x.	± 0.30	x.	$\pm 2^*$
.x	± 0.25	.x	$\pm 1^*$
.xx	± 0.15		

DEREN
SHENZHEN DEREN ELECTRONIC CO., LTD

C-DWG:	TY	DATE	TITLE: NGFF 3.2H GEN4 KEY E
DESIGN:	Sid Guo	2023.11.18	P/N: 562135-00XH011X
CHECK:	Mike Chen	2023.11.18	SHEET: 4/6
APPROVAL:	Bill Lin	2023.11.18	SCALE: N/A UNIT: mm

DRAW NO.

SC2208575-2

REV. A

DESIGN:

CHECK:

APPROVAL:

DATE

2023.11.18

2023.11.18

P/N:

562135-00XH011X

SHEET:

4/6

TITLE:

NGFF 3.2H GEN4 KEY E

SCALE:

N/A

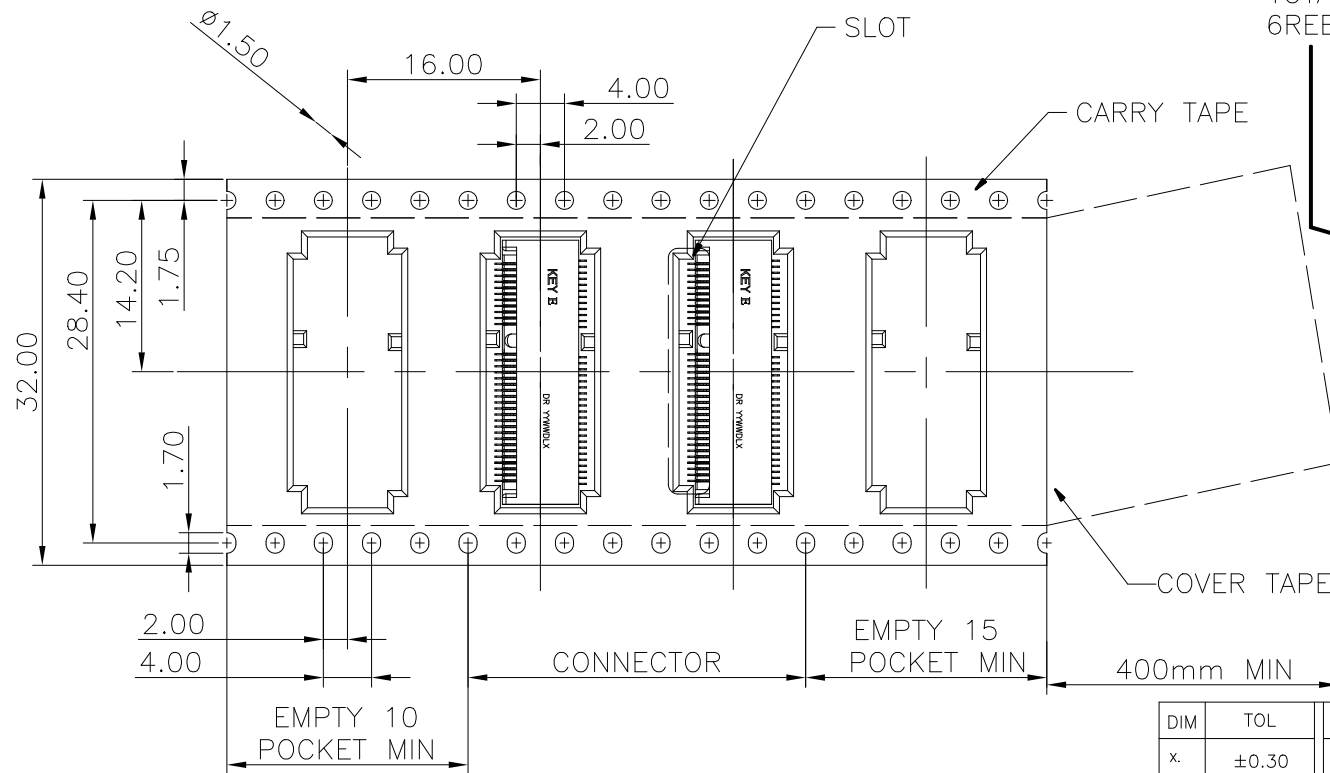
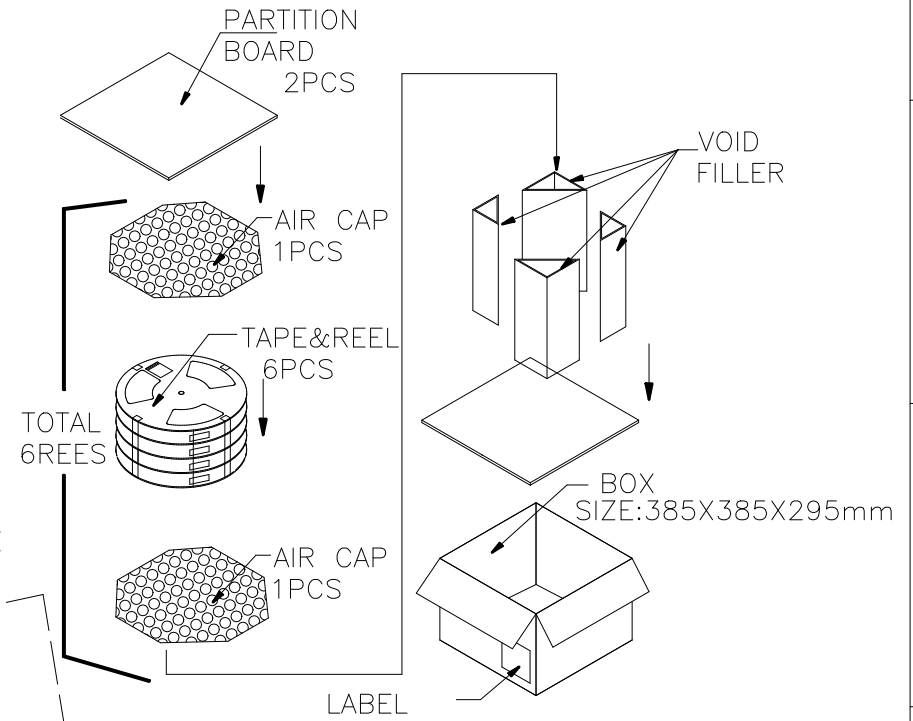
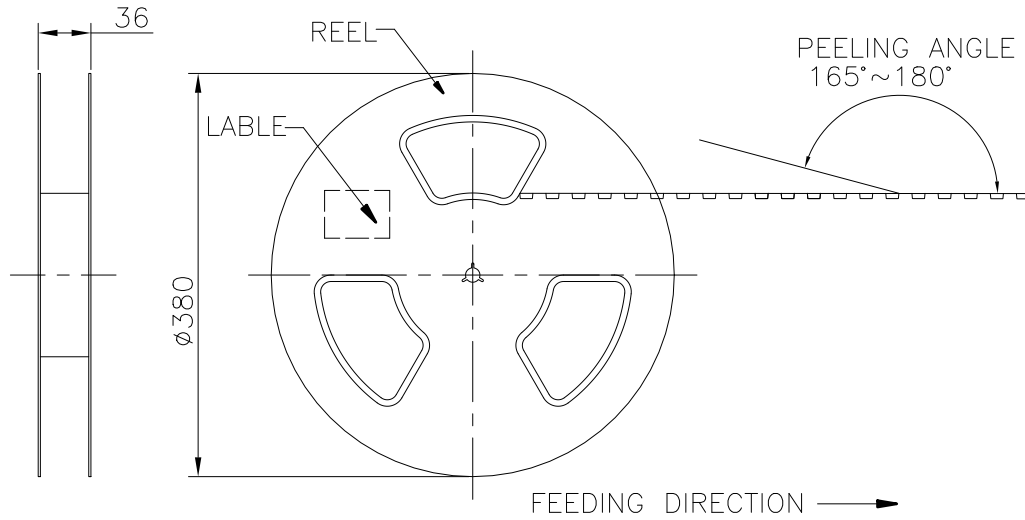
UNIT:

mm

HF

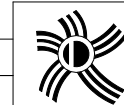
Halogen Free

EMBOSS WIDTH 32mm, SLOT BACKWARD FOR 562135-00XH0112



1400	6	8400
PCS/TAPE	REELS/BOX	PCS/BOX

DIM	TOL	DIM	TOL
x	±0.30	x	±2*
.x	±0.25	.x	±1*
.xx	±0.15		



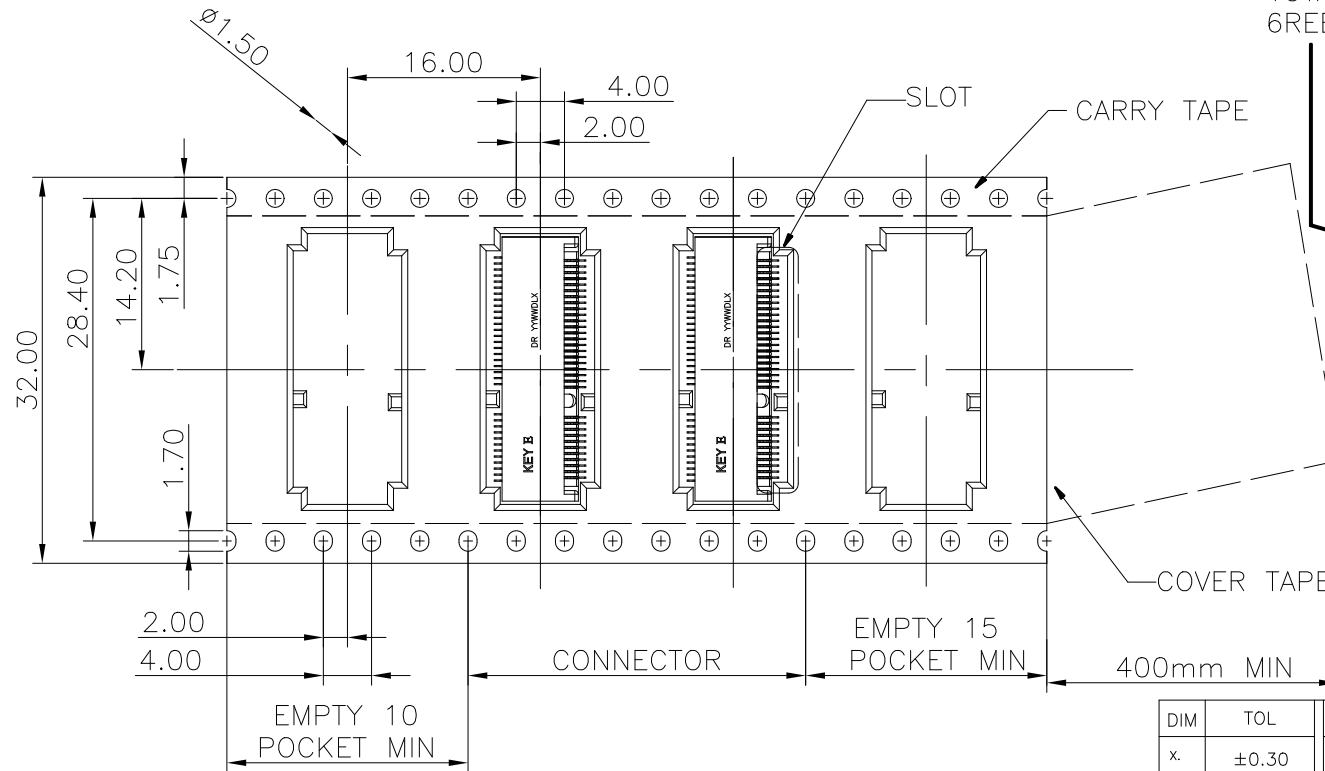
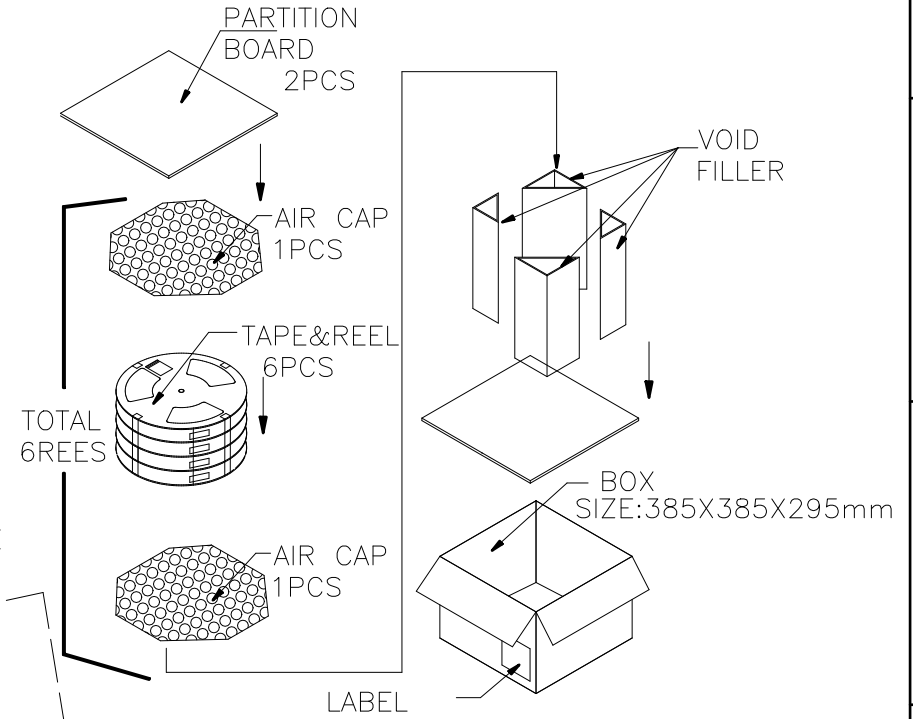
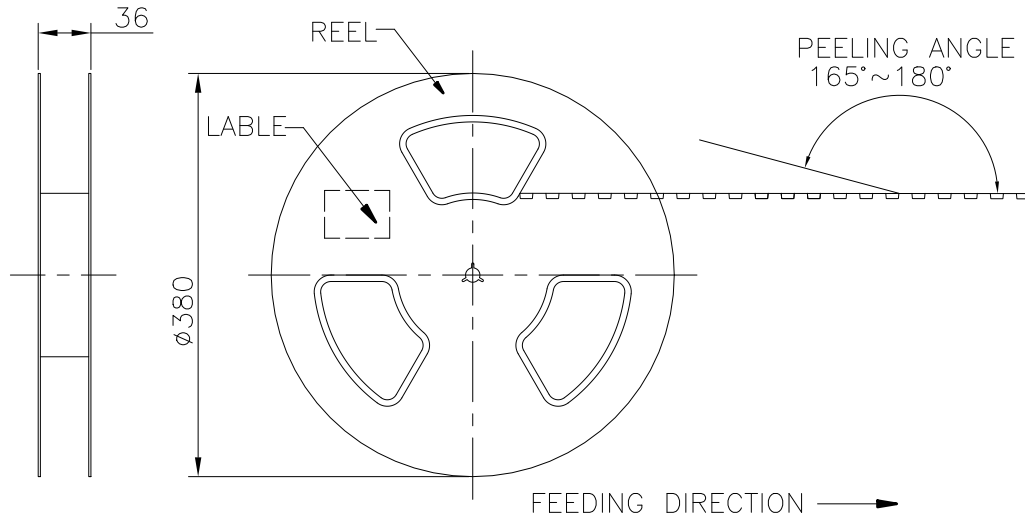
DEREN
SHENZHEN DEREN ELECTRONIC CO., LTD

DRAW NO. SC2208575-2	DESIGN: Sid Guo	DATE 2023.11.18	TITLE: NGFF 3.2H GEN4 KEY E
REV. A	CHECK: Mike Chen	2023.11.18	P/N: 562135-00XH011X
	APPROVAL: Bill Lin	2023.11.18	SHEET: 5/6
			SCALE: N/A UNIT: mm

HF

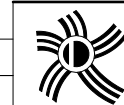
Halogen Free

EMBOSS WIDTH 32mm, SLOT FORWARD FOR 562135-00XH0113



1400	6	8400
PCS/TAPE	REELS/BOX	PCS/BOX

DIM	TOL	DIM	TOL
x.	±0.30	x.	±2*
.x	±0.25	.x	±1*
.xx	±0.15		



DEREN
SHENZHEN DEREN ELECTRONIC CO., LTD

DRAW NO. SC2208575-2	DESIGN: Sid Guo	DATE 2023.11.18	TITLE: NGFF 3.2H GEN4 KEY E
REV. A	CHECK: Mike Chen	2023.11.18	P/N: 562135-00XH011X
	APPROVAL: Bill Lin	2023.11.18	SHEET: 6/6
			SCALE: N/A UNIT: mm