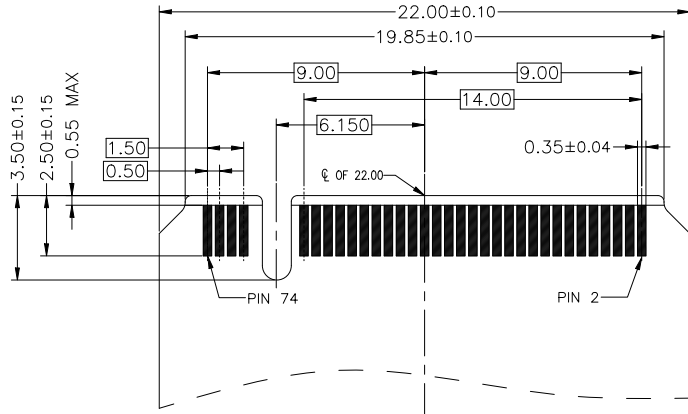


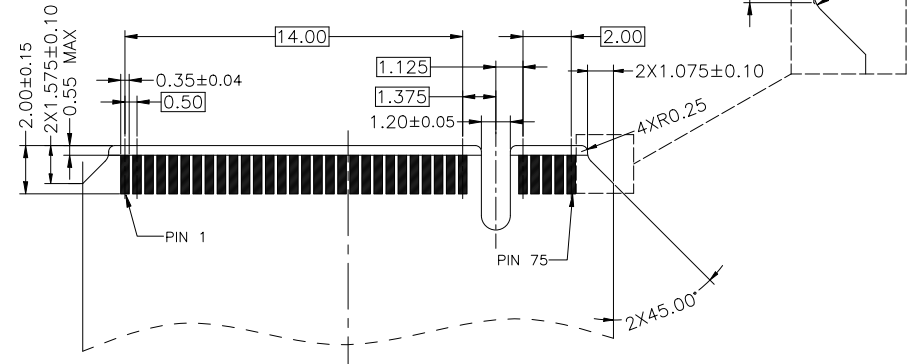
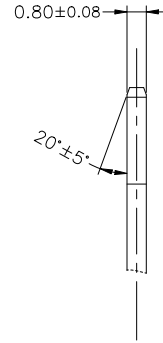
HF

Halogen Free

PLUG PCB

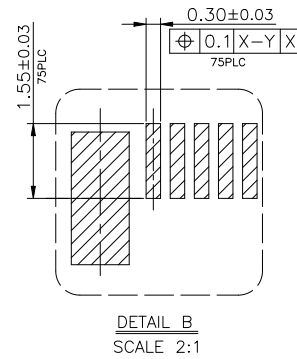
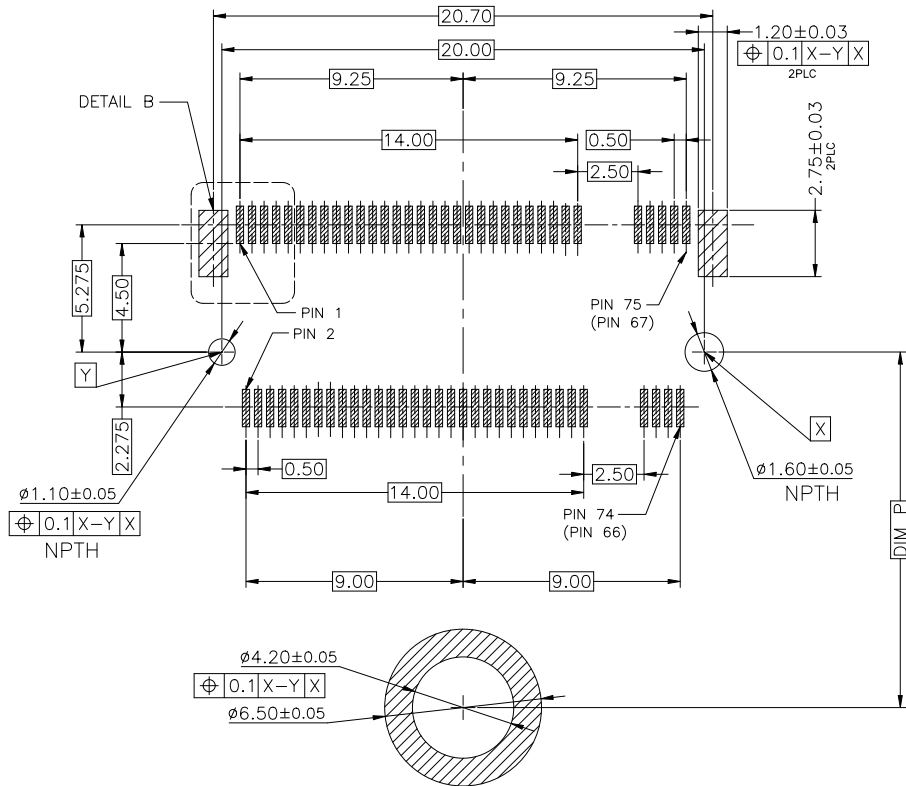


BOTTOM SIDE



TOP SIDE

RECOMMENDED PCB LAYOUT(TOP VIEW)



22110	108.25
2280	78.25
2260	58.25
2242	40.25
2230	28.25
3042	40.25
3030	28.25
MODULE TYPE	DIM P

DIM	TOL	DIM	TOL
x.	± 0.30	x.	$\pm 2^\circ$
.x	± 0.25	.x	$\pm 1^\circ$
.xx	± 0.15		

DEREN
SHENZHEN DEREN ELECTRONIC CO., LTD

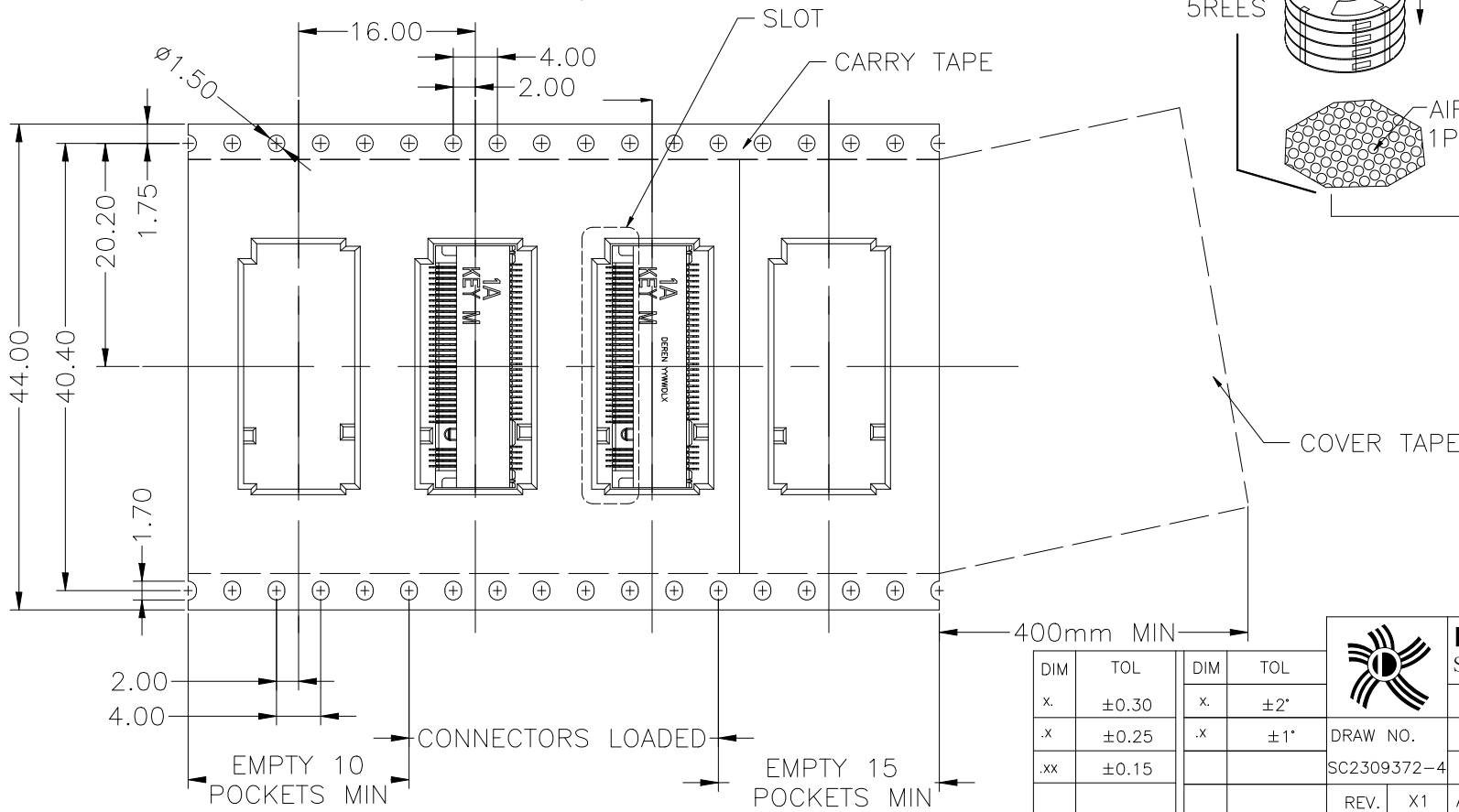
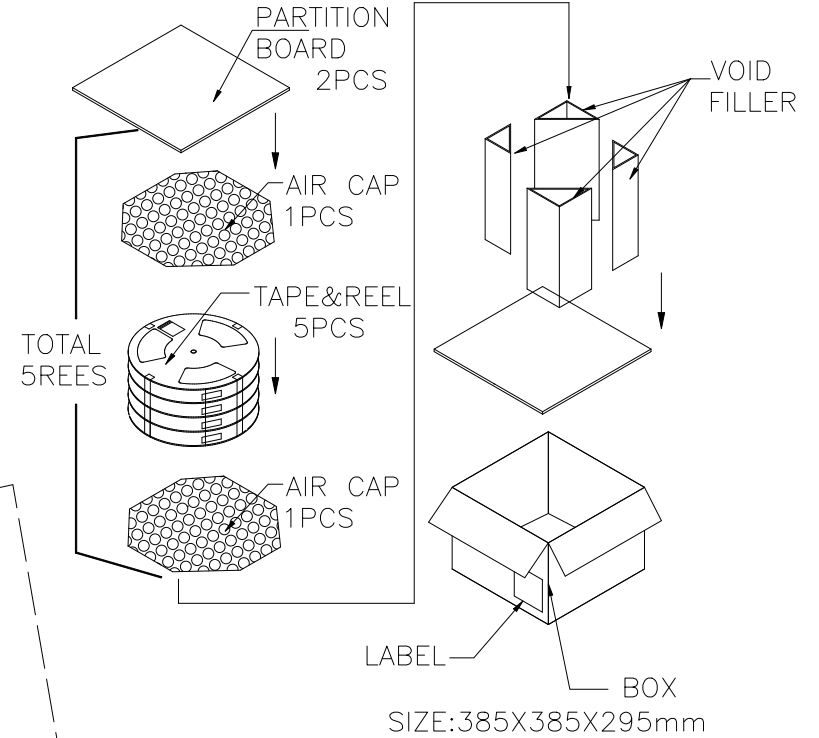
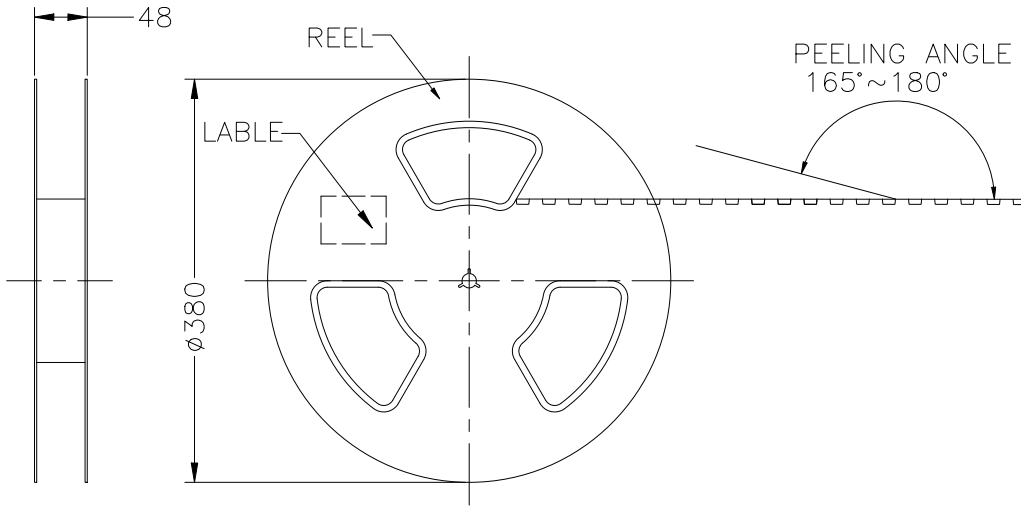
C-DWG:	TY	DATE	TITLE: M.2 4.0H KEY M GEN4 1A
DESIGN:	Sid Guo	2024.06.24	P/N: SEE TABLE 1
CHECK:	Mike Chen	2024.06.24	SHEET: 2/3
APPROVAL:	Bill Lin	2024.06.24	SCALE: N/A UNIT: mm

DRAW NO. SC2309372-4 REV. X1

HF

Halogen Free

FEEDING DIRECTION →



1100	5	5500
PCS/ TAPE	REELS/ BOX	PCS/BOX

DIM	TOL	DIM	TOL
x	±0.30	x	±2*
.x	±0.25	.x	±1*
.xx	±0.15		

DEREN
SHENZHEN DEREN ELECTRONIC CO., LTD

C-DWG:	TY	DATE	TITLE: M.2 4.0H KEY M GEN4 1A
DESIGN:	Sid Guo	2024.06.24	P/N: SEE TABLE 1
CHECK:	Mike Chen	2024.06.24	SHEET: 3/3
APPROVAL:	Bill Lin	2024.06.24	SCALE: N/A UNIT: mm

DRAW NO. SC2309372-4

REV. X1

DESIGN: Sid Guo

CHECK: Mike Chen

APPROVAL: Bill Lin

DATE: 2024.06.24

DATE: 2024.06.24

DATE: 2024.06.24

UNIT: mm