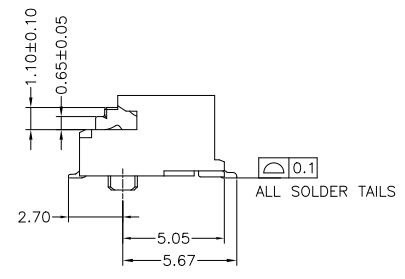
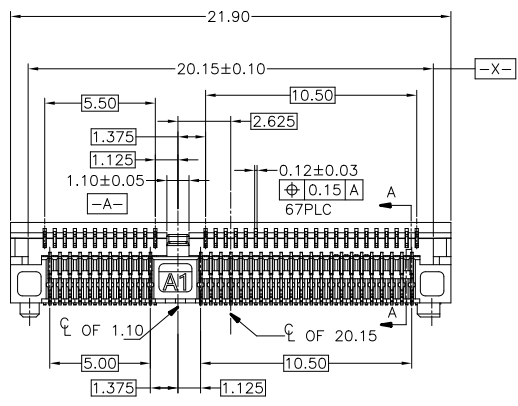
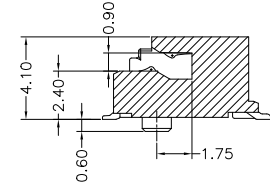
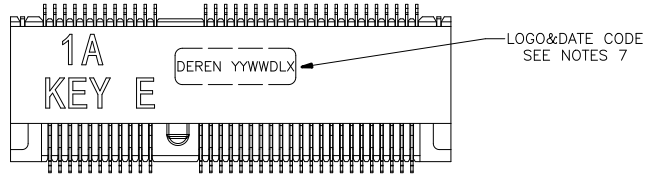


HF

Halogen Free

REV.	ECN NO.	LOCATION	DESCRIPTION	DATE	DESIGN
X1			INITIAL RELEASE	2023.11.27	Sid Guo



- NOTES:
 PRODUCT MUST MEET CONTROLLED SUBSTANCES SPEC ROHS 2.0.
 1. MATERIAL:
 1.1 HOUSING: LCP , UL94V-0; COLOR: BLACK
 1.2 CONTACTS: COPPER ALLOY
 1.3 FLOATING PEG: STAINLESS STEEL
 2. FINISH:
 2.1 CONTACT:
 CONTACT: 50u" MIN NICKEL UNDERPLATED ALL OVER,
 Au GF PLATING ON SOLDERTAIL. GOLD PLATING
 (THICKNESS SEE NOTE 10) ON CONTACT AREA.
 2.2 FLOATING PEG:
 100u" MIN. MATTE-TIN, 50u"MIN. NICKEL UNDERPLATING.
 3. REFLOW SOLDER CAPABLE TO 260°C 10SEC.
 4. ELECTRICAL CHARACTERISTICS:
 4.1 CONTACT CURRENT RATING: 1.0 AMPERE MAX, PER PIN,
 4.2 VOLTAGE RATING: 50V AC.
 4.3 INSULATION RESISTANCE: 500M OHM MIN.(INITIAL),
 100M OHM MIN.(FINAL), AT 500V DC,
 FOR 1 MINUTE.
 4.5 CONTACT RESISTANCE: 55m OHM MAX(INITIAL)
 ΔR 20m OHM MAX(FINAL)
 5. OPERATION TEMPERATURE: -40°C TO +85°C
 6. MATING FORCE: 2.04Kgf MAX.
 DURABILITY: 60 CYCLES
 7. DATE CODE YYWDLX

- YY: YEAR (23: 2023)
 WW: WEEK (25: THE 25TH WEEK)
 D: DAY (1~7: SUNDAY~SATURDAY)
 L: LINE NUMBER OF ASSEMBLY (A: LINE A)
 X: MANUFACTURE CODE
 8. CONNECTOR ACTUAL PIN QUANTITY IS 67, AS THE KEY TAKING OUT 8 PINS.
 9. RECOMMENDED STENCIL THICKNESS 0.12MM MIN
 10. PART NUMBER DESCRIPTION:

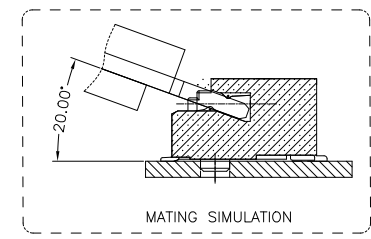
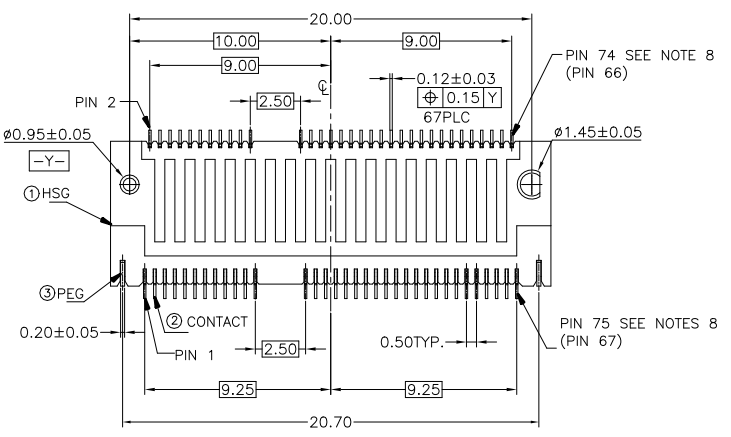
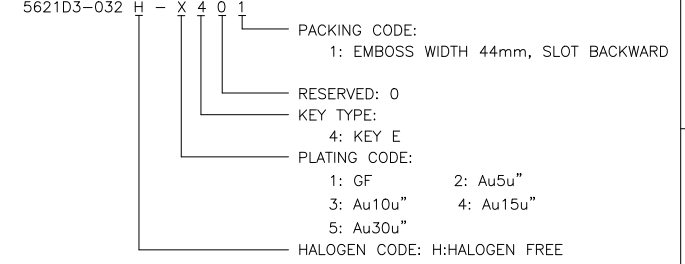


TABLE 1:

PART NUMBER	DESCRIPTION
5621D3-032H-1401	Au G/F ON CONTACT AREA
5621D3-032H-2401	Au 5u" ON CONTACT AREA
5621D3-032H-3401	Au 10u" ON CONTACT AREA
5621D3-032H-4401	Au 15u" ON CONTACT AREA
5621D3-032H-5401	Au 30u" ON CONTACT AREA

DIM	TOL	DIM	TOL
x.	±0.30	x.	±2*
.x	±0.25	.x	±1*
.xx	±0.15		

DEREN
 SHENZHEN DEREN ELECTRONIC CO., LTD

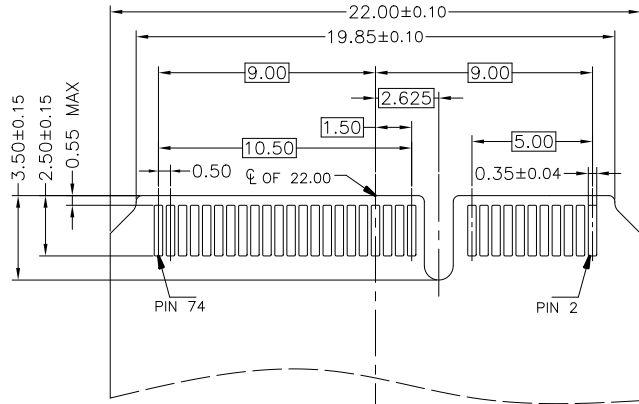
C-DWG:	TY	DATE	TITLE: M.2 4.0H KEY E GEN4 1A
DESIGN:	Sid Guo	2023.11.27	P/N: SEE TABLE 1
CHECK:	Mike Chen	2023.11.27	SHEET: 1/3
APPROVAL:	Bill Lin	2023.11.27	SCALE: N/A UNIT: mm

DRAW NO. SC2309372-4
 REV. X1

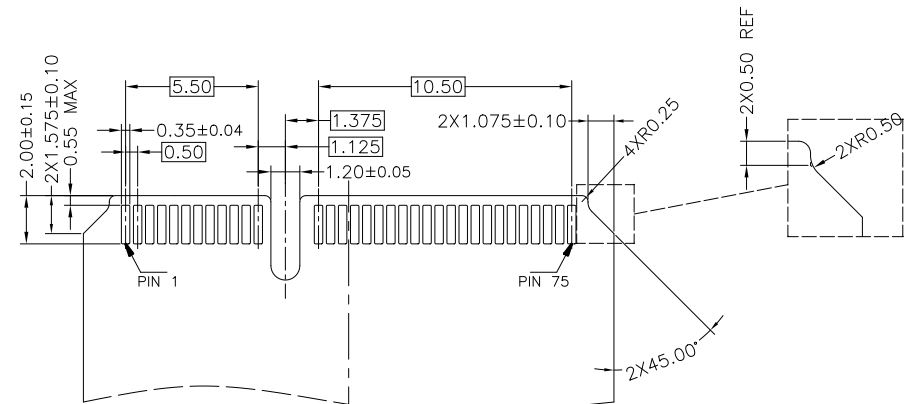
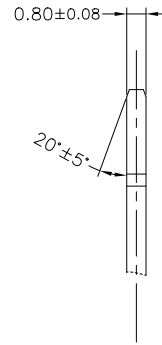
HF

Halogen Free

PLUG PCB

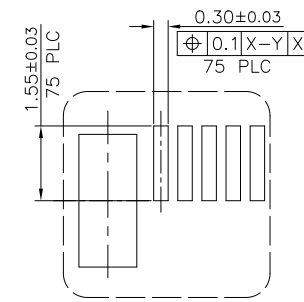
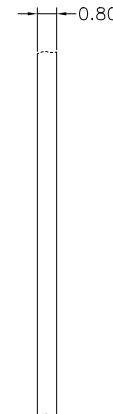
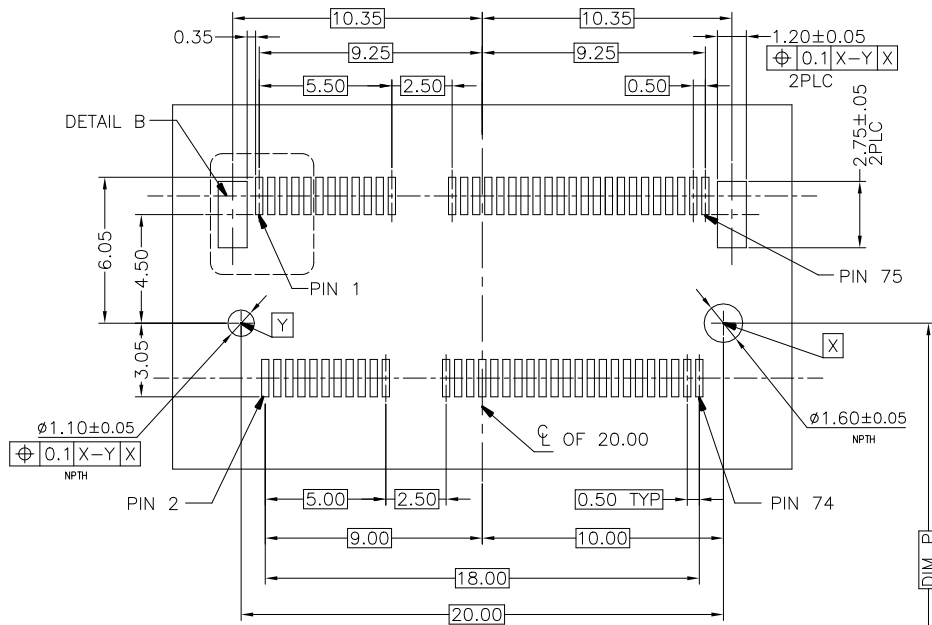


BOTTOM SIDE



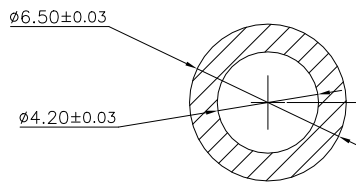
TOP SIDE

RECOMMENDED PCB LAYOUT(TOP VIEW)



DETAIL B
SCALE 2:1

22110	108.25
2280	78.25
2260	58.25
2242	40.25
2230	28.25
3042	40.25
3030	28.25
MODULE TYPE	DIM P



DEREN
SHENZHEN DEREN ELECTRONIC CO., LTD

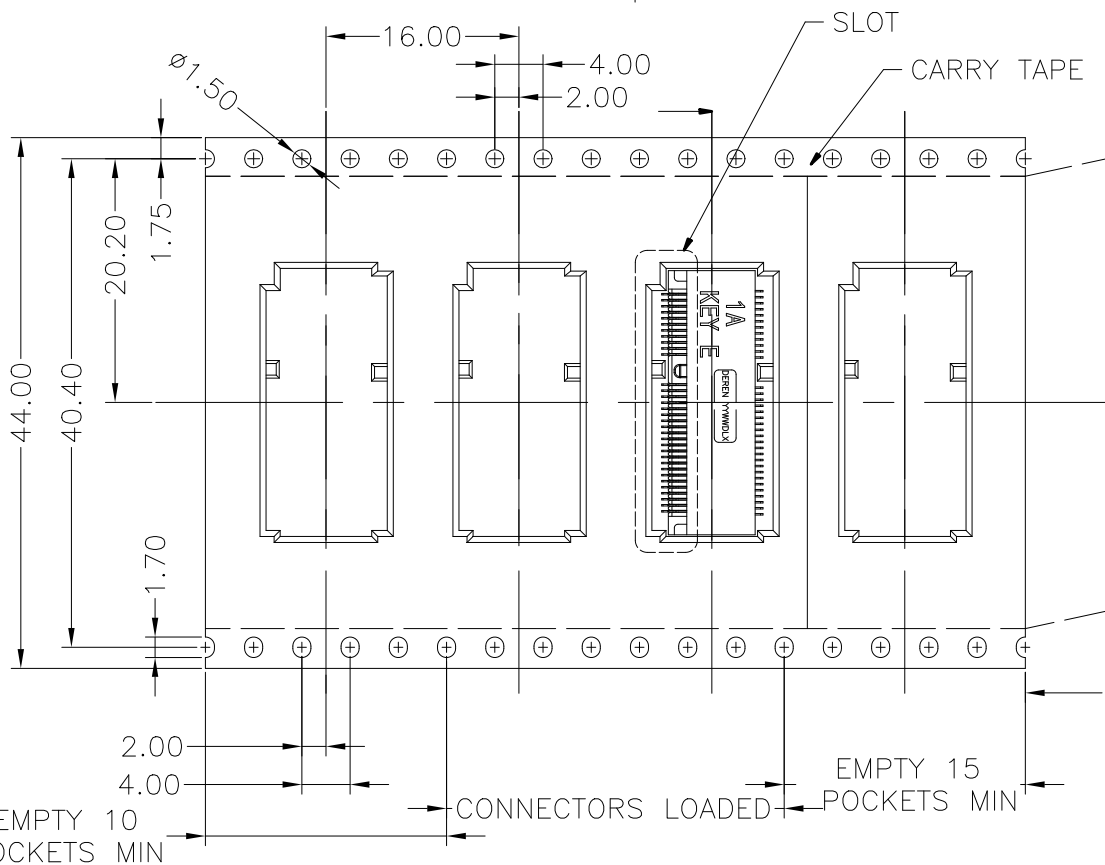
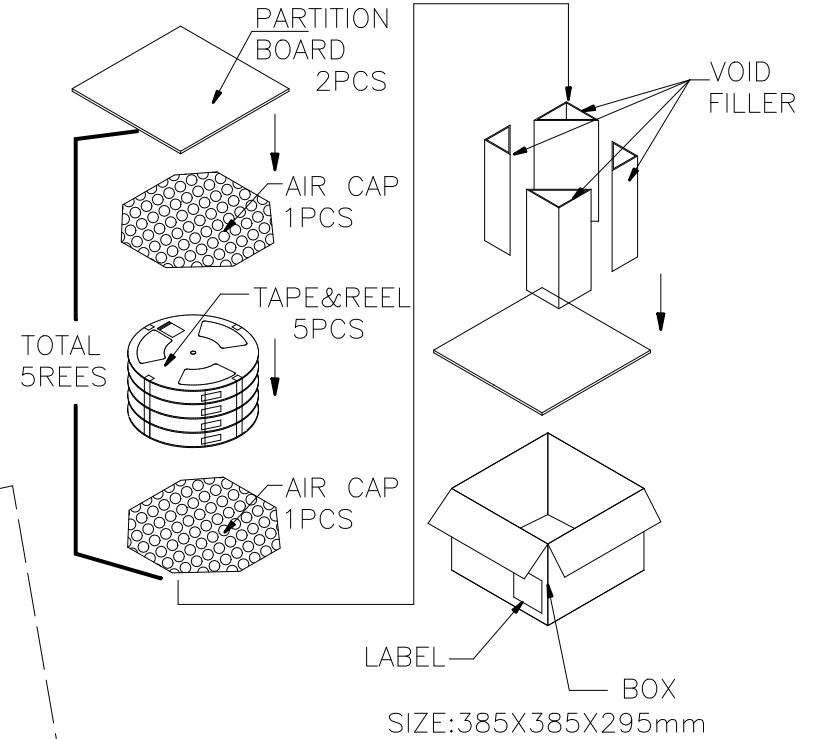
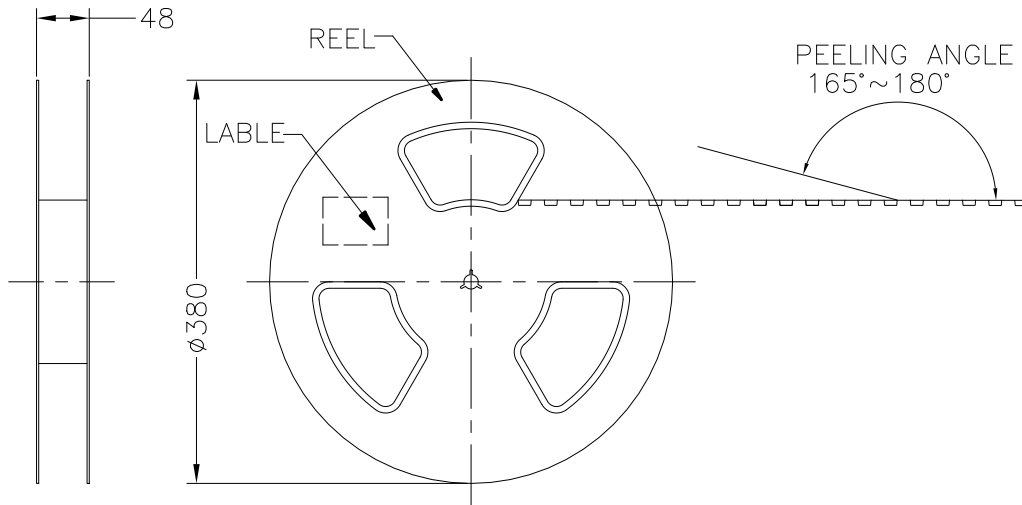
DIM	TOL	DIM	TOL
x.	± 0.30	x.	$\pm 2^*$
.x	± 0.25	.x	$\pm 1^*$
.xx	± 0.15		

DRAW NO.	SC2309372-4	REV.	X1	C-DWG:	TY	DATE	2023.11.27	TITLE: M.2 4.0H KEY E GEN4 1A
DESIGN:	Sid Guo	CHECK:	Mike Chen	DATE:	2023.11.27	P/N:	SEE TABLE 1	
APPROVAL:	Bill Lin	DATE:	2023.11.27	SHEET:	2/3	UNIT:	mm	

HF

Halogen Free

FEEDING DIRECTION →



1100	5	5500
PCS/ TAPE	REELS/ BOX	PCS/BOX

DIM	TOL	DIM	TOL
.x	±0.30	.x	±2*
.x	±0.25	.x	±1*
.xx	±0.15		

DEREN
SHENZHEN DEREN ELECTRONIC CO., LTD

C-DWG:	TY	DATE	TITLE: M.2 4.0H KEY E GEN4 1A
DESIGN:	Sid Guo	2023.11.27	P/N: SEE TABLE 1
CHECK:	Mike Chen	2023.11.27	SHEET: 3/3
APPROVAL:	Bill Lin	2023.11.27	SCALE: N/A UNIT: mm

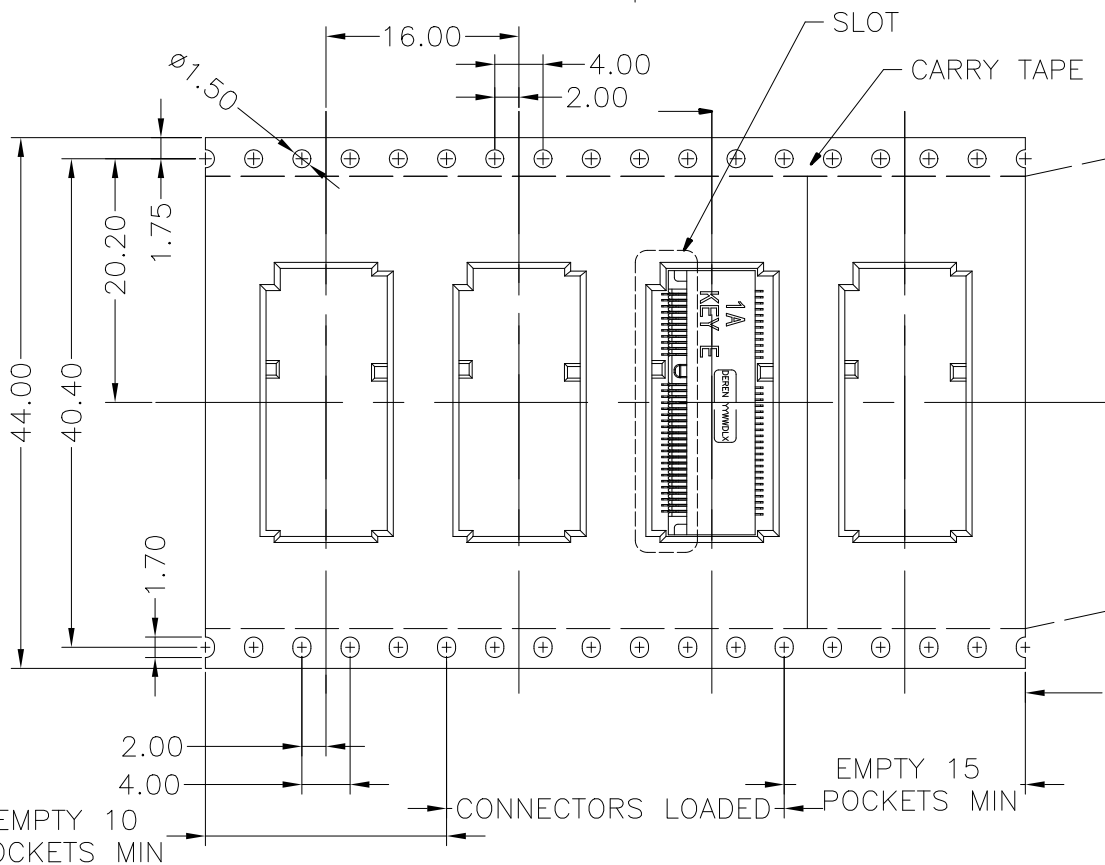
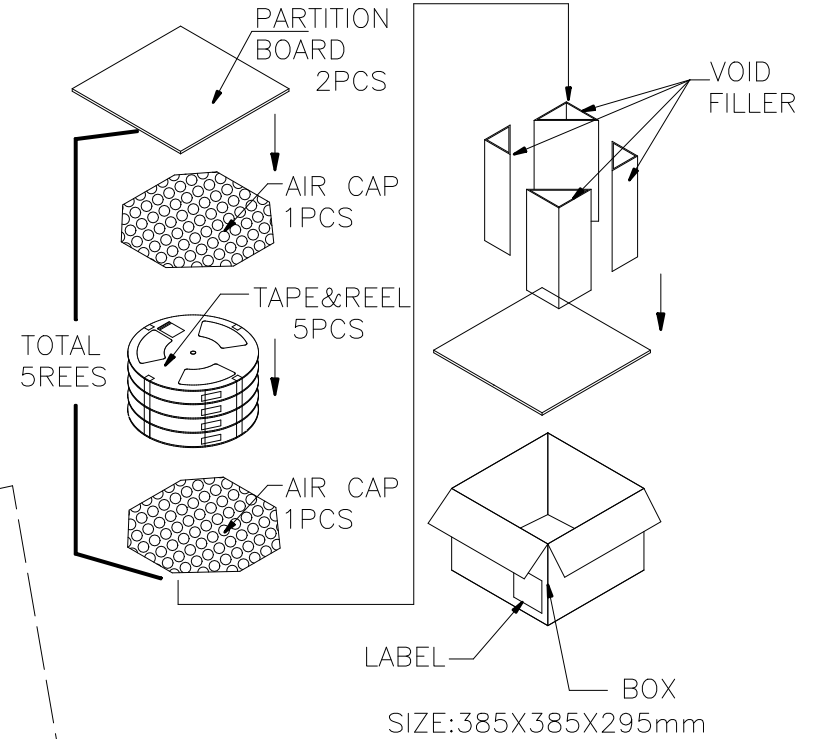
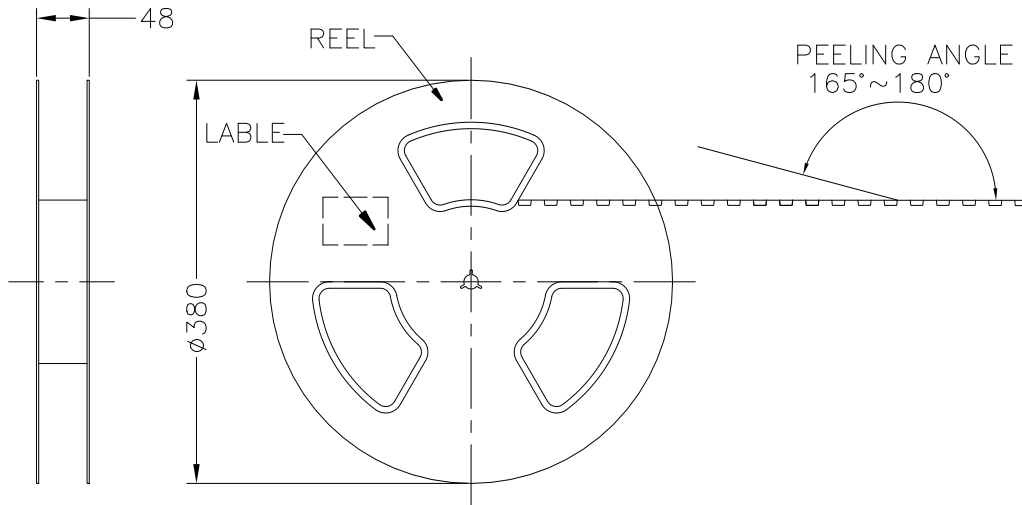
DRAW NO. SC2309372-4

REV. X1

HF

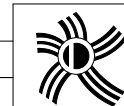
Halogen Free

FEEDING DIRECTION →



1100	5	5500
PCS/TAPE	REELS/BOX	PCS/BOX

DIM	TOL	DIM	TOL
.x	±0.30	.x	±2*
.x	±0.25	.x	±1*
.xx	±0.15		



DEREN
SHENZHEN DEREN ELECTRONIC CO., LTD

DRAW NO.	DESIGN:	TY	DATE	TITLE: M.2 4.0H KEY E GEN4 1A
SC2309372-4	CHECK:	Sid Guo	2023.11.27	P/N: SEE TABLE 1
REV. X1	APPROVAL:	Mike Chen	2023.11.27	SHEET: 3/3
		Bill Lin	2023.11.27	SCALE: N/A UNIT: mm

EMPTY 10 POCKETS MIN

CONNECTORS LOADED

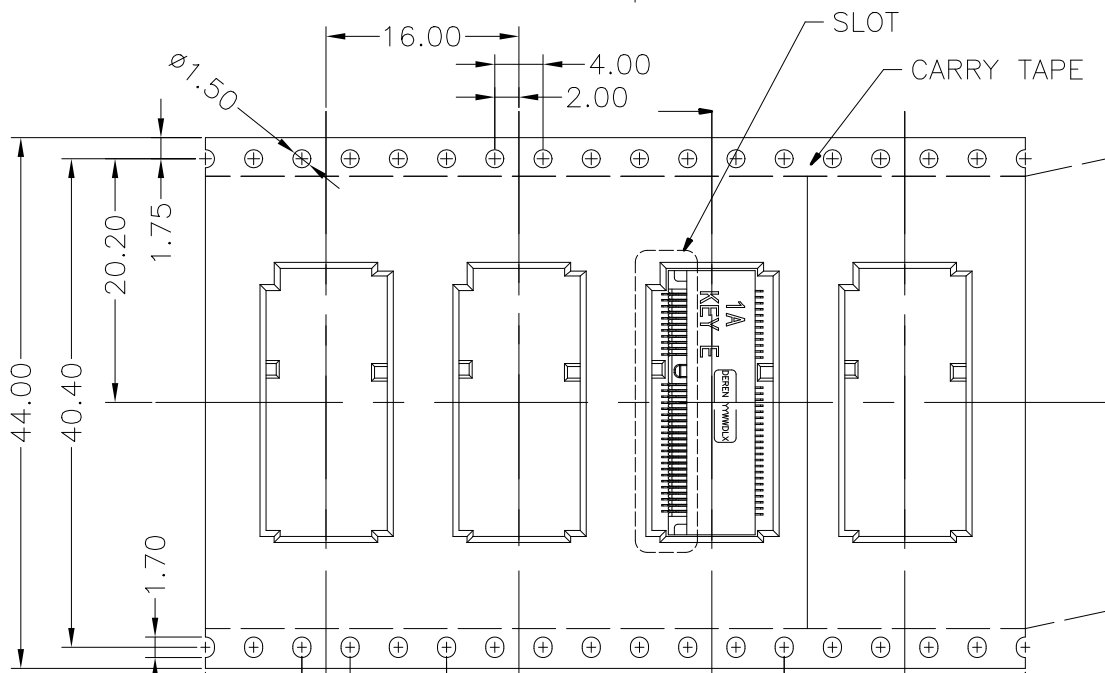
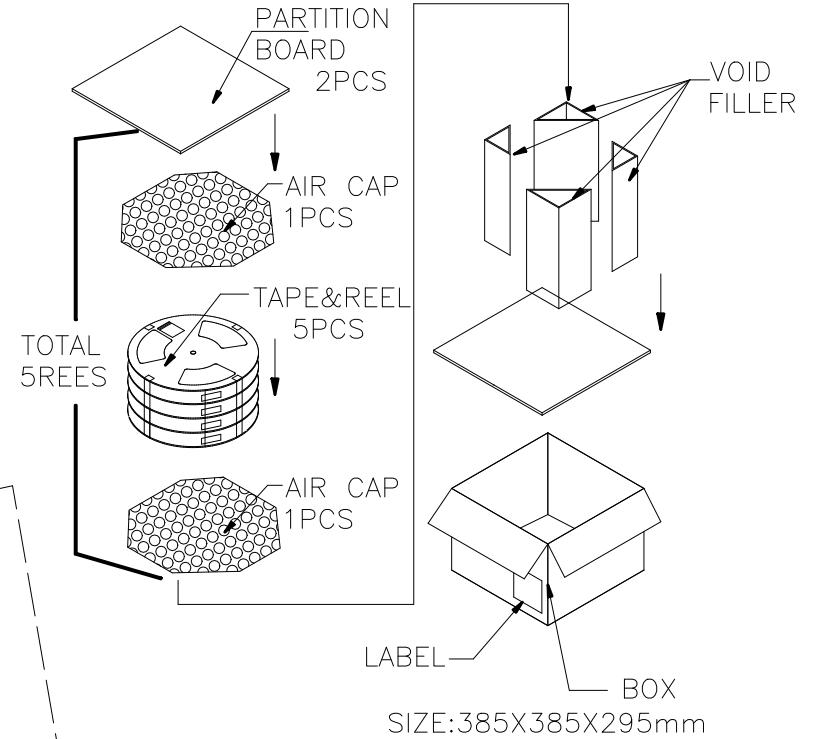
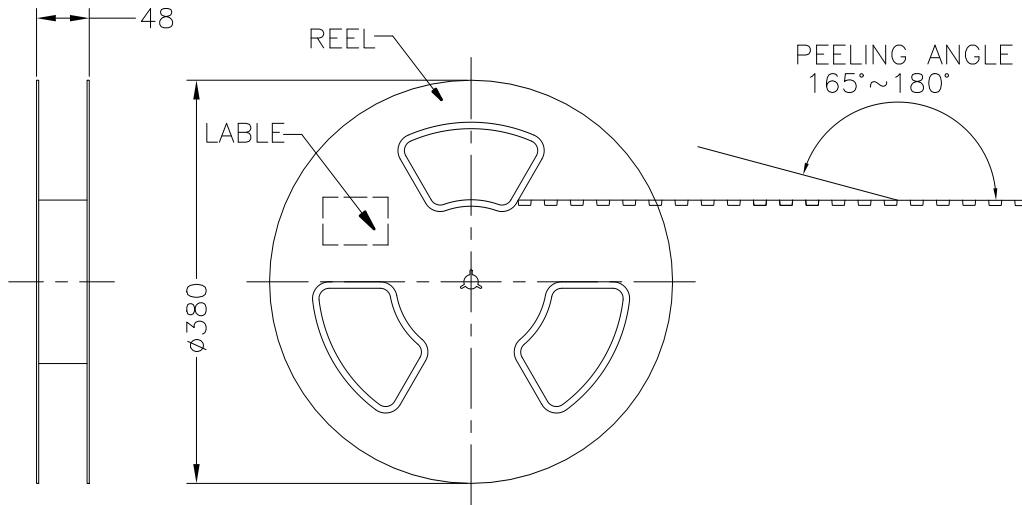
EMPTY 15 POCKETS MIN

400mm MIN

HF

Halogen Free

FEEDING DIRECTION →



EMPTY 10 POCKETS MIN

2.00

4.00

CONNECTORS LOADED

EMPTY 15 POCKETS MIN

400mm MIN

1100	5	5500
PCS/TAPE	REELS/BOX	PCS/BOX

DIM	TOL	DIM	TOL
x	±0.30	x	±2*
.x	±0.25	.x	±1*
.xx	±0.15		

DEREN
SHENZHEN DEREN ELECTRONIC CO., LTD

C-DWG:	TY	DATE	TITLE: M.2 4.0H KEY E GEN4 1A
DESIGN:	Sid Guo	2023.11.27	P/N: SEE TABLE 1
CHECK:	Mike Chen	2023.11.27	SHEET: 3/3
APPROVAL:	Bill Lin	2023.11.27	SCALE: N/A UNIT: mm

DRAW NO. SC2309372-4

REV. X1