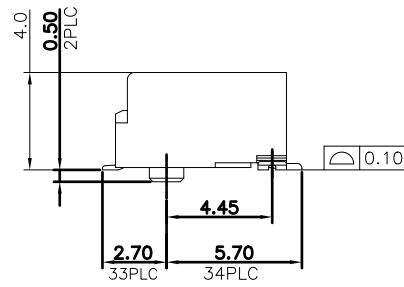
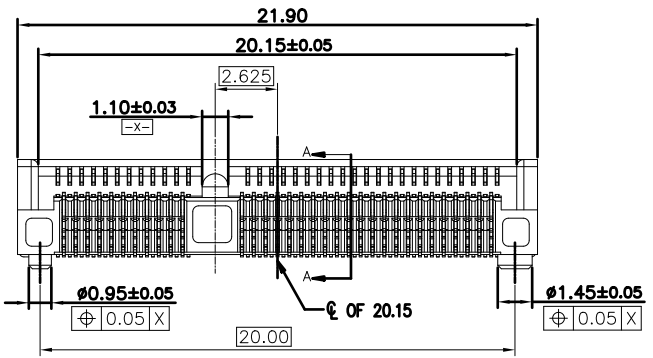
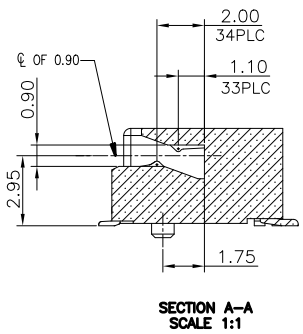
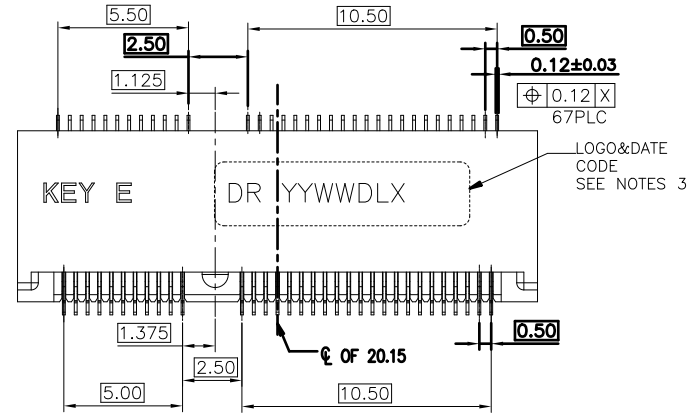


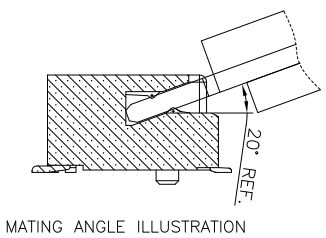
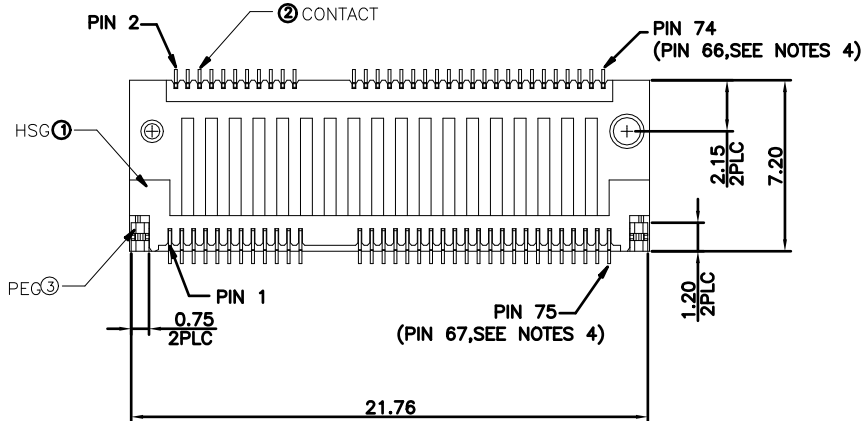
HF

Halogen Free

REV.	ECN NO.	LOCATION	DESCRIPTION	DATE	DESIGN
A			INITIAL RELEASE	2023.12.11	Sid Guo



NOTES:
 MATERIAL MUST MEET DEREN CONTROLLED SUBSTANCES SPEC. PER WI-PB-S-010.
 1. MATERIAL:
 1.1 HOUSING: HIGH TEMPERATURE THERMOPLASTIC, UL94V-0, COLOR: BLACK
 1.2 CONTACT: PHOSPHOR BRONZE.
 1.3 SOLDER PEG: STAINLESS STEEL.
 2. FINISH:
 2.1 CONTACT: UNDERPLATING NICKEL 50u" MIN OVERALL, GF PLATING ON SOLDER AREA. CONTACT AREA: SEE NOTE 6.
 2.2 SOLDER PEG: MATTE TIN 100u" MIN. AND NICKEL 50u" MIN UNDER PLATED.
 3. LOGO&DATE CODE: LOGO: DEREN OR DR DATE CODE: YYWDLX
 YY: YEAR (09: 2009)
 WW: WEEK (25: THE 25TH WEEK)
 D: DAY (1~7: SUNDAY~SATURDAY)
 L: LINE NUMBER OF ASSEMBLY (A: LINE A)
 X: MANUFACTURE CODE
 4. CONNECTOR ACTUAL PIN QUANTITY IS 67, AS THE KEY TAKING OUT 8 PINS.
 5. RECOMMENDED STENCIL THICKNESS: 0.12MM MIN
 6. PART NUMBER DESCRIPTION:
 5621D3-0XXH011X



- PACKAGE CODE:
- R: EMBOSS WIDTH 44mm, SLOT BACKWARD
- 1: EMBOSS WIDTH 32mm, SLOT FORWARD
- 2: EMBOSS WIDTH 32mm, SLOT BACKWARD
- 3: EMBOSS WIDTH 44mm, SLOT FORWARD
- Logo:
- 0: No Logo
- 1: DR Logo
- Color:
- 1: Black
- 2: White
- RESERVED CODE
- HALOGEN CODE:
- H: HALOGEN FREE
- PLATING CODE:
- 16: Au GF 17: Au5u"
- 18: Au10u" 19: 15u" 20: Au30u"

DIM	TOL	DIM	TOL
x	±0.30	x	±2°
.x	±0.25	.x	±1°
.xx	±0.15		

DEREN
 SHENZHEN DEREN ELECTRONIC CO., LTD

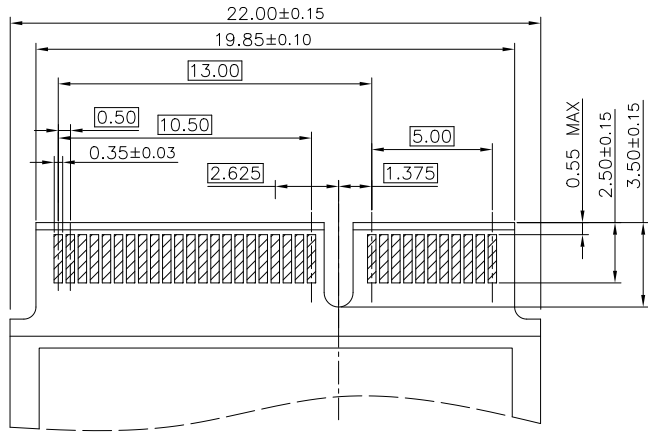
C-DWG:	TY	DATE	TITLE: NGFF 4.0H KEY E GEN4
DESIGN:	Sid GUO	2023.12.11	P/N: 5621D3-0XXH011X
CHECK:	Mike Chen	2023.12.11	SHEET: 1/6
REV. A	APPROVAL: Bill Lin	2023.12.11	SCALE: N/A UNIT: mm

DRAW NO. SC2309743-1

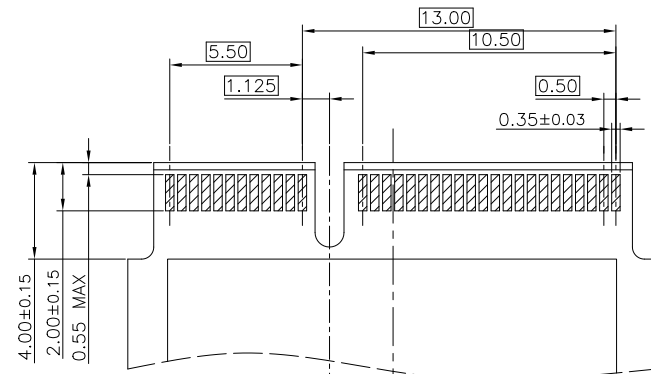
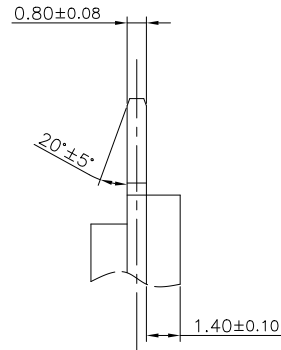
HF

Halogen Free

PLUG PCB

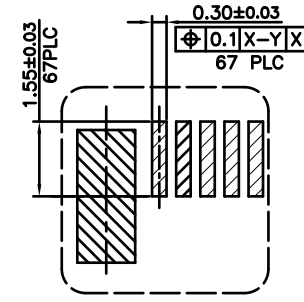
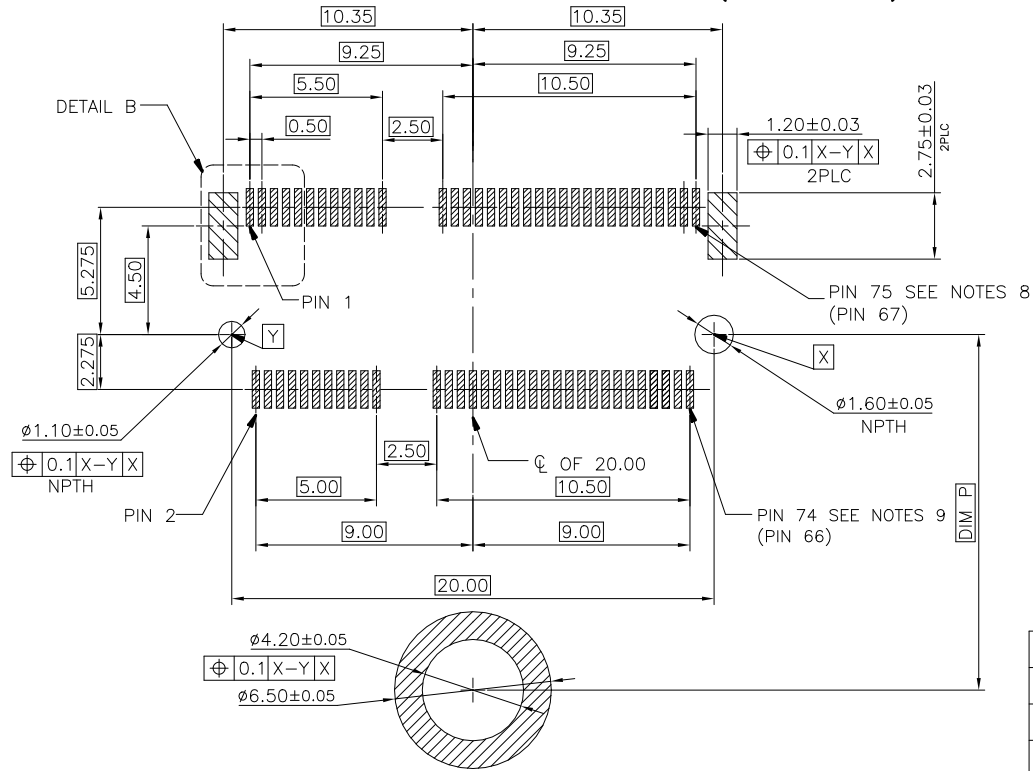


BOTTOM SIDE



TOP SIDE

RECOMMENDED PCB LAYOUT(TOP VIEW)



DETAIL B
SCALE 2:1

22110	108.25
2280	78.25
2260	58.25
2242	40.25
2230	28.25
3042	40.25
3030	28.25
MODULE TYPE	DIM P

DIM	TOL	DIM	TOL
x.	±0.20	x.	±2*
.x	±0.10	.x	±1*
.xx	±0.05		

DEREN
SHENZHEN DEREN ELECTRONIC CO., LTD

C-DWG:	TY	DATE	TITLE: NGFF 4.0H KEY E GEN4
DESIGN:	Sid Guo	2023.12.11	P/N: 5621D3-0XXH011X
CHECK:	Mike Chen	2023.12.11	SHEET: 2/6
APPROVAL:	Bill Lin	2023.12.11	SCALE: N/A UNIT: mm

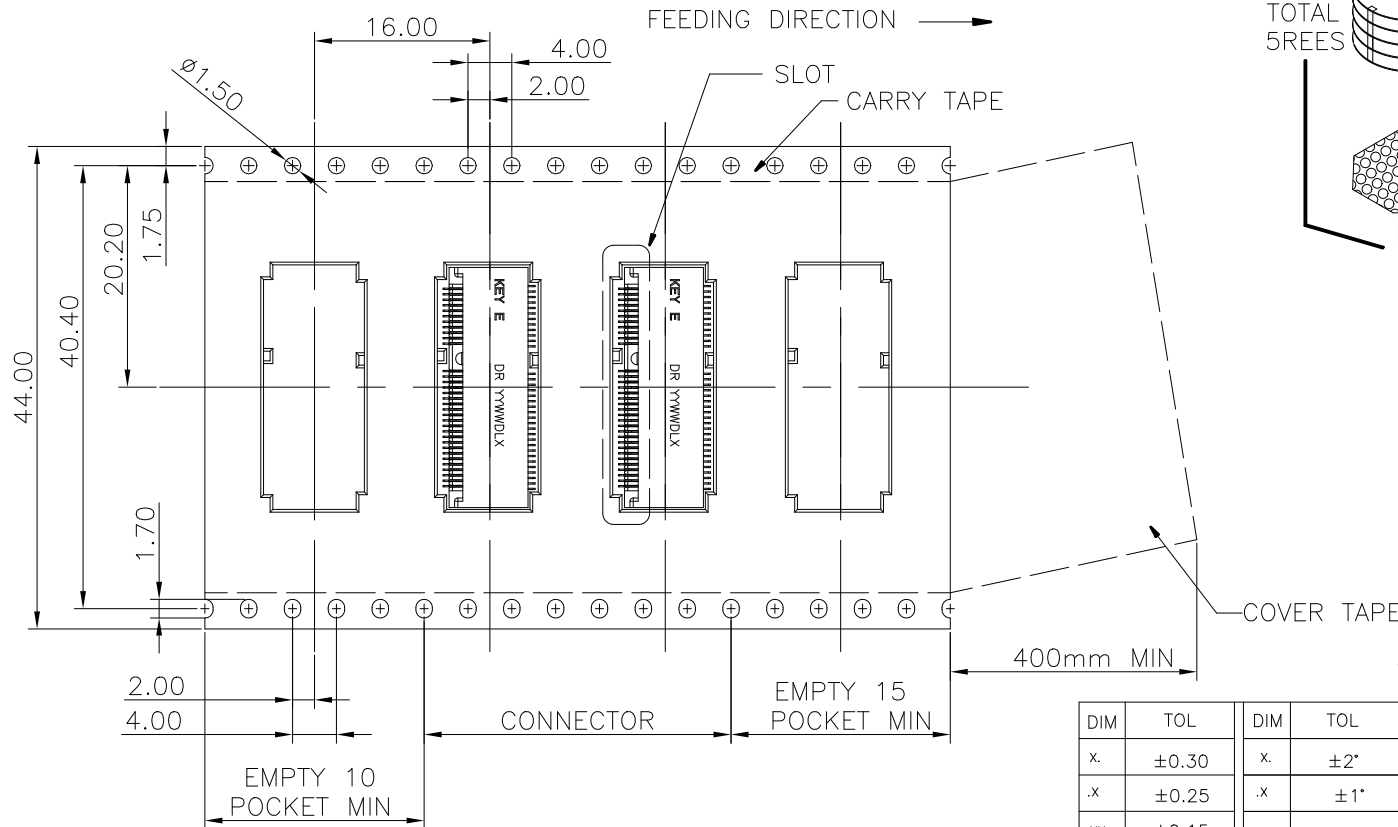
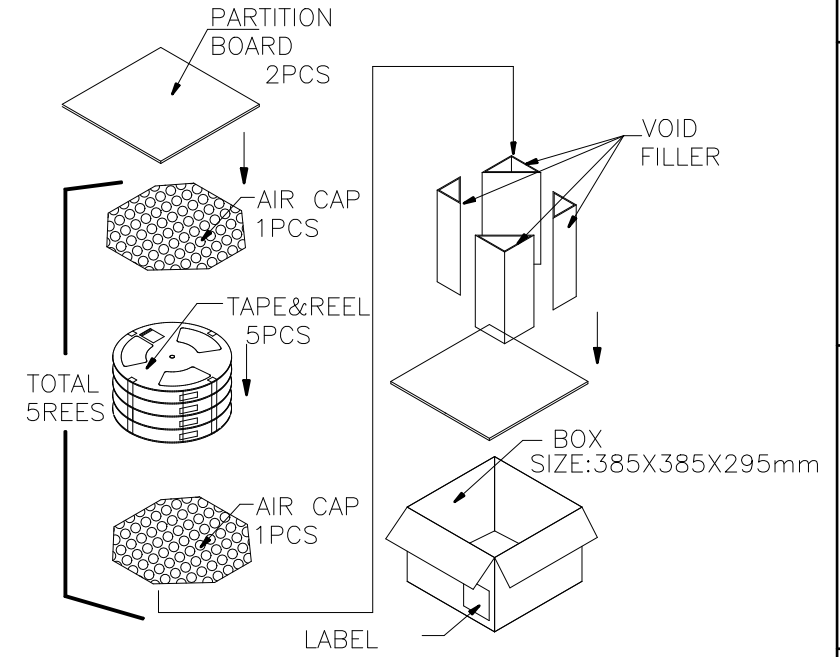
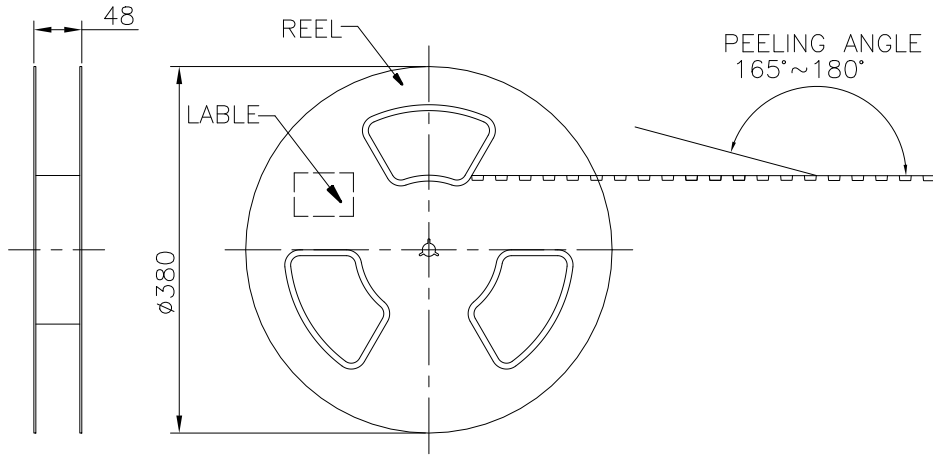
DRAW NO.
SC2309743-1

REV. A

HF

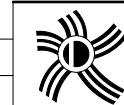
Halogen Free

EMBOSS WIDTH 44mm, SLOT BACKWARD FOR 5621D3-OXXH011R



1100	5	5500
PCS/ TAPE	REELS/ BOX	PCS/BOX

DIM	TOL	DIM	TOL
x.	±0.30	x.	±2*
.x	±0.25	.x	±1*
.xx	±0.15		



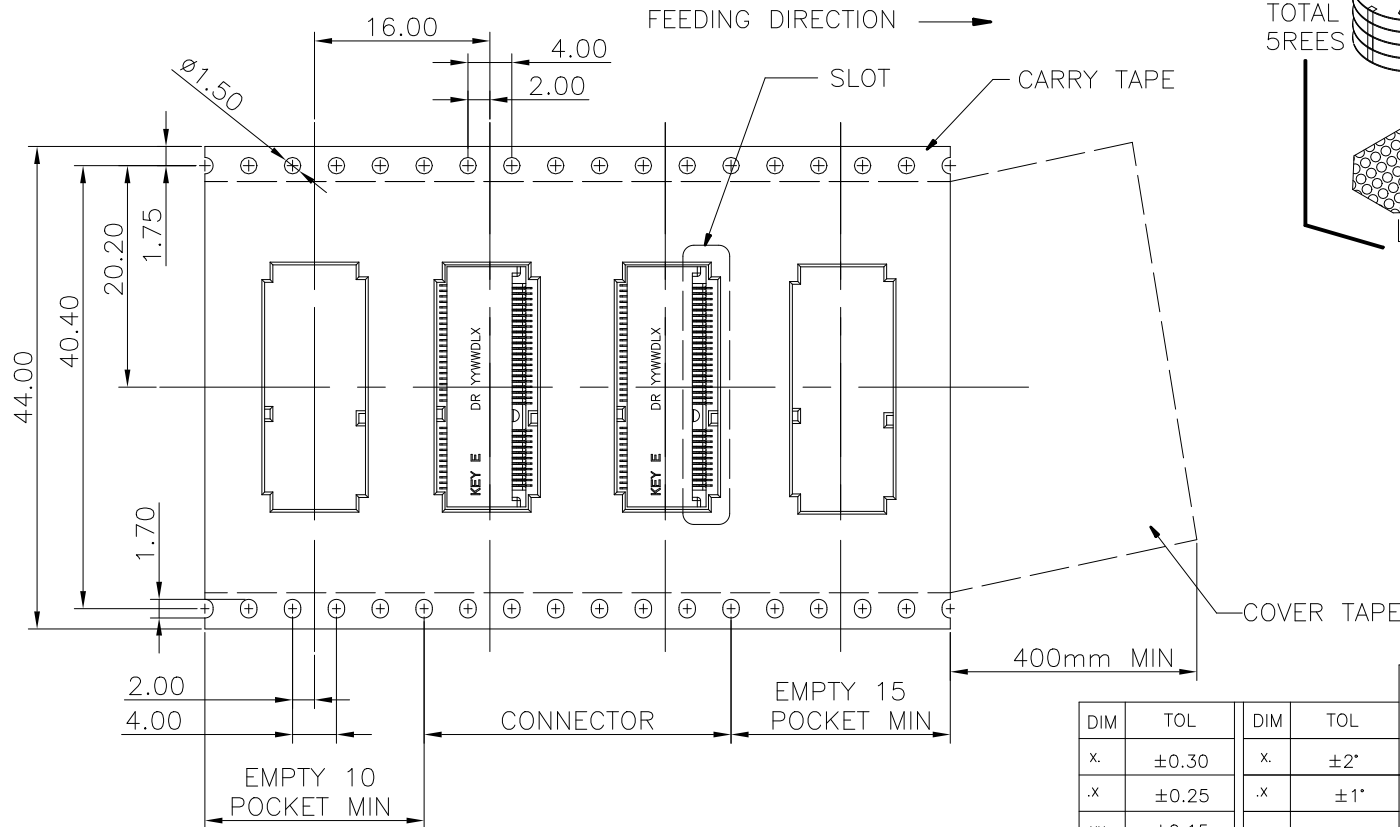
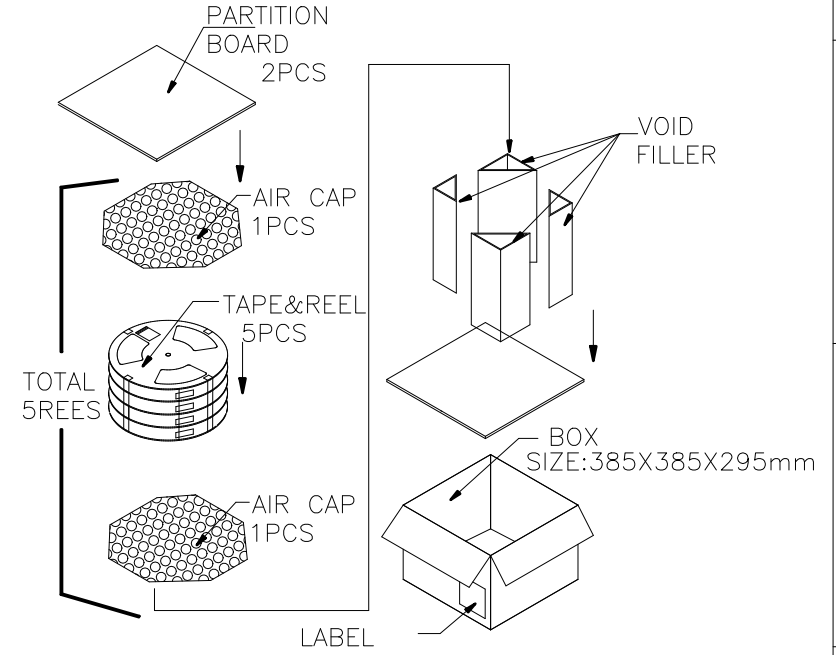
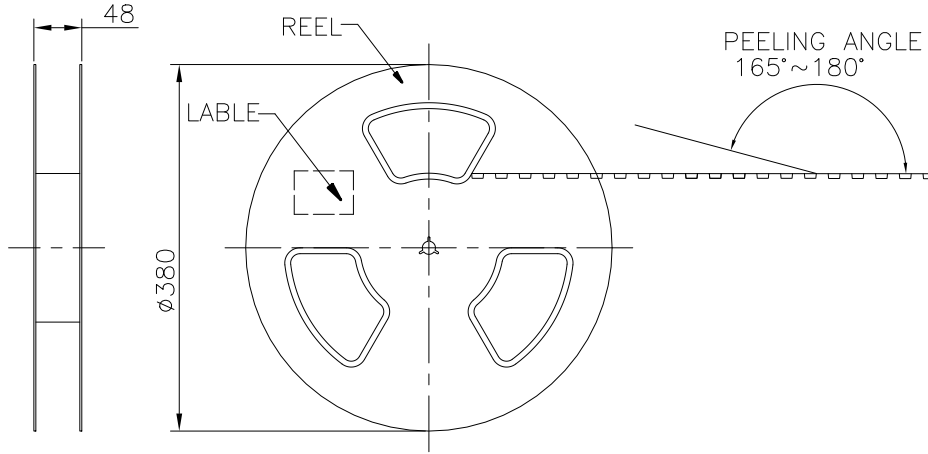
DEREN
SHENZHEN DEREN ELECTRONIC CO., LTD

DRAW NO.	DESIGN:	TY	DATE	TITLE: NGFF 4.0H KEY E GEN4
SC2309743-1	CHECK:	Sid Guo	2023.12.11	P/N: 5621D3-OXXH011X
REV. A	APPROVAL:	Mike Chen	2023.12.11	SHEET: 3/6
		Bill Lin	2023.12.11	SCALE: N/A UNIT: mm

HF

Halogen Free

EMBOSS WIDTH 44mm, SLOT FORWARD FOR 5621D3-OXXH0113



1100	5	5500
PCS/TAPE	REELS/BOX	PCS/BOX

DIM	TOL	DIM	TOL
x.	±0.30	x.	±2*
.x	±0.25	.x	±1*
.xx	±0.15		

DEREN
SHENZHEN DEREN ELECTRONIC CO., LTD

C-DWG:	TY	DATE	TITLE: NGFF 4.0H KEY E GEN4
DESIGN:	Sid Guo	2023.12.11	P/N: 5621D3-OXXH011X
CHECK:	Mike Chen	2023.12.11	SHEET: 4/6
APPROVAL:	Bill Lin	2023.12.11	SCALE: N/A UNIT: mm

DRAW NO.

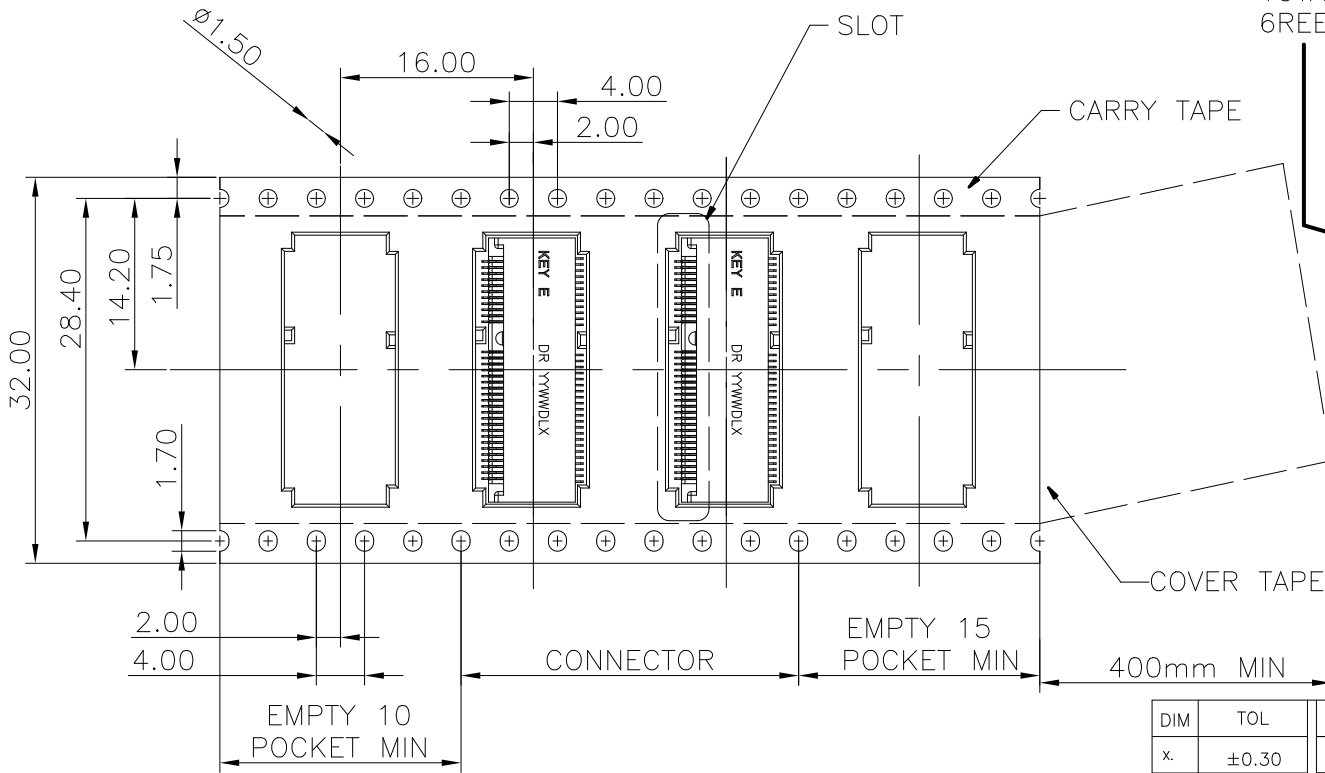
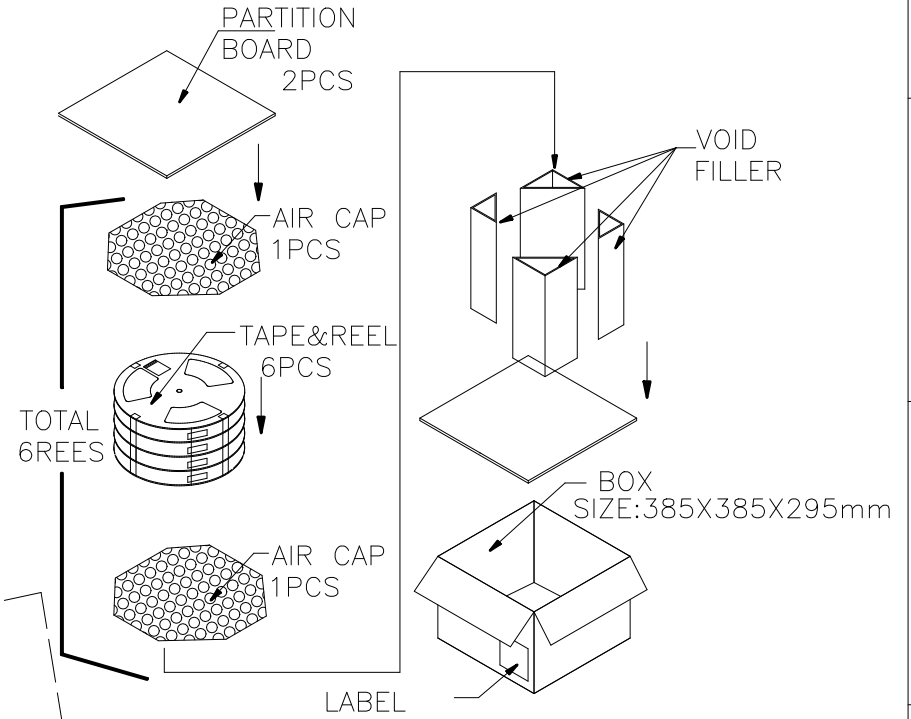
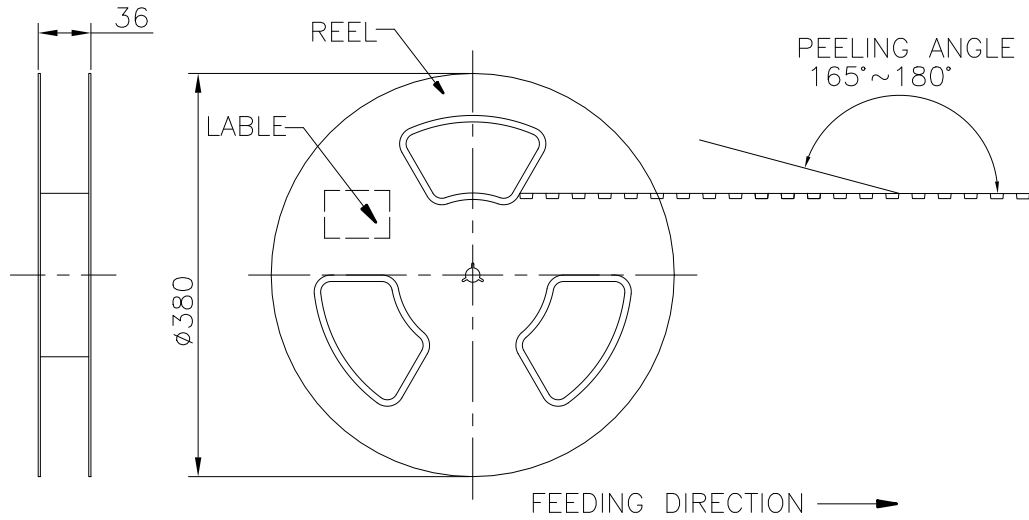
SC2309743-1

REV. A

HF

Halogen Free

EMBOSS WIDTH 32mm, SLOT BACKWARD FOR 5621D3-OXXH0112



1100	6	6600
PCS/ TAPE	REELS/ BOX	PCS/BOX

DIM	TOL	DIM	TOL
x	±0.30	x	±2*
.x	±0.25	.x	±1*
.xx	±0.15		



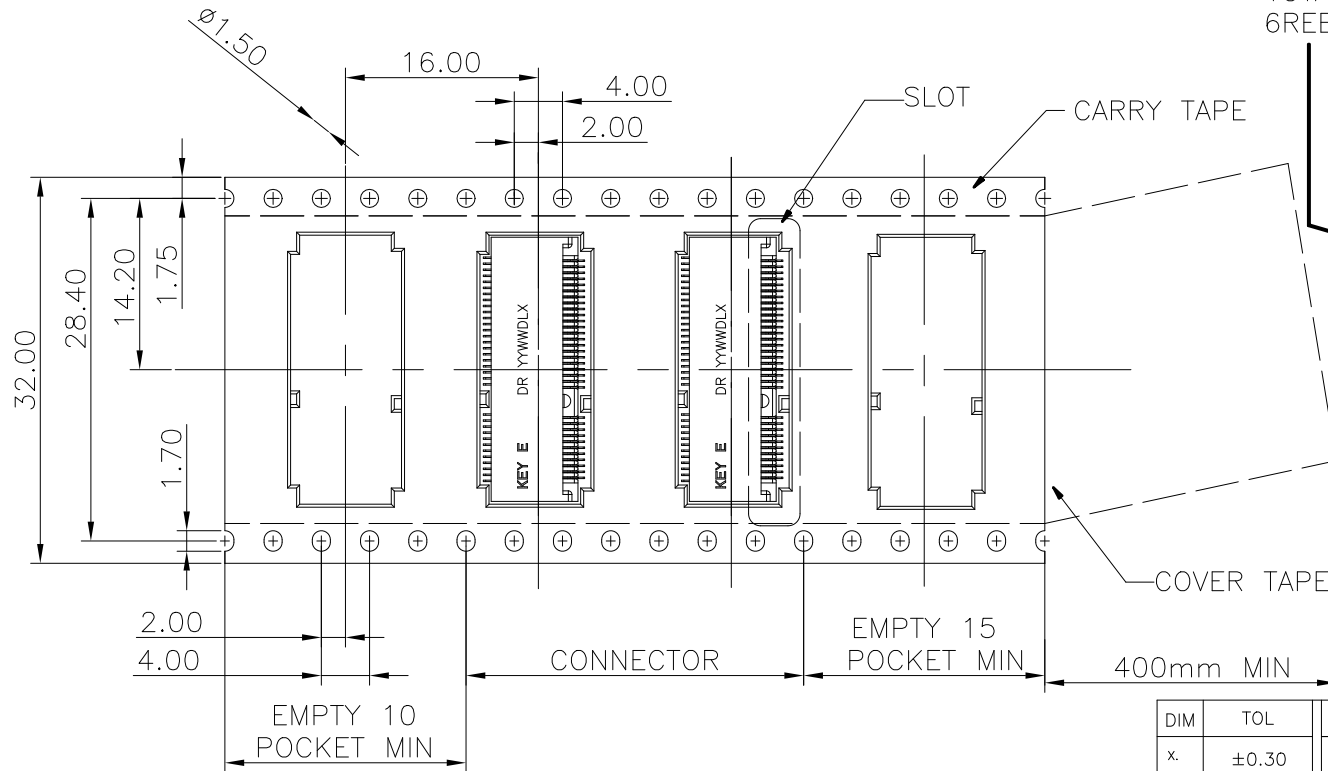
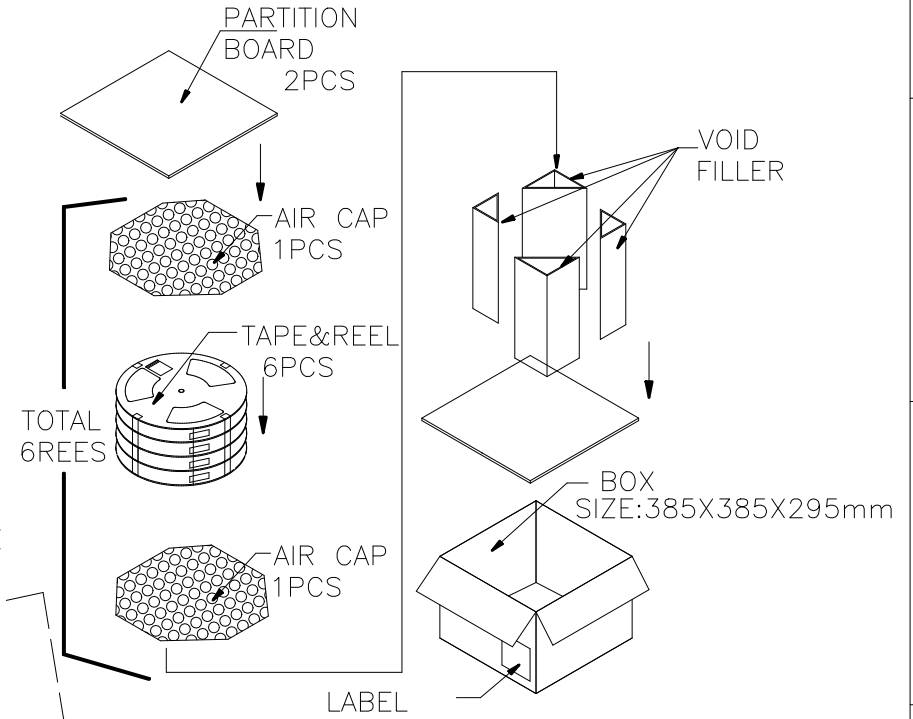
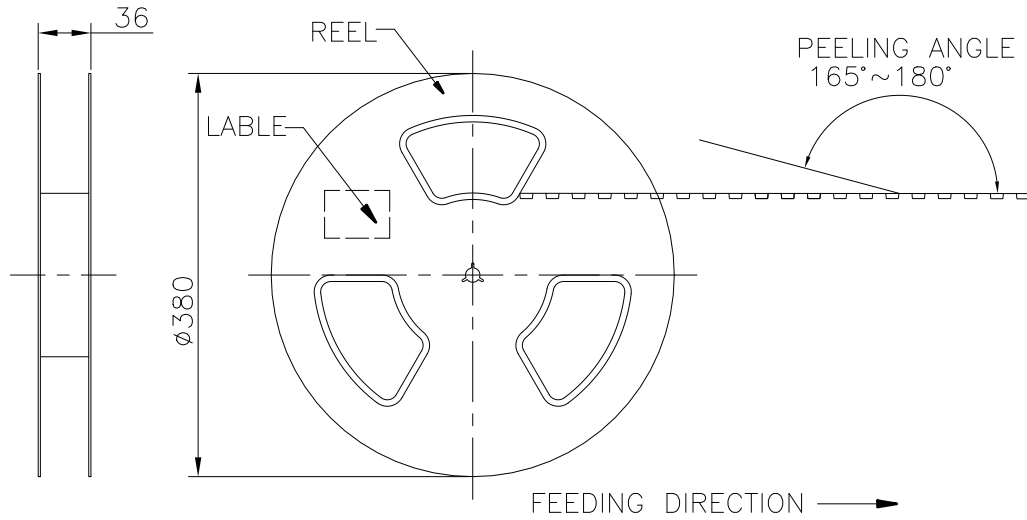
DEREN
SHENZHEN DEREN ELECTRONIC CO., LTD

DRAW NO.	DESIGN:	TY	DATE	TITLE: NGFF 4.0H KEY E GEN4
SC2309743-1	CHECK:	Sid Guo	2023.12.11	P/N: 5621D3-OXXH011X
REV. A	APPROVAL:	Mike Chen	2023.12.11	SHEET: 5/6
		Bill Lin	2023.12.11	SCALE: N/A UNIT: mm

HF

Halogen Free

EMBOSS WIDTH 32mm, SLOT FORWARD FOR 5621D3-OXXH0111



1100	6	6600
PCS/ TAPE	REELS/ BOX	PCS/BOX

DIM	TOL	DIM	TOL
x.	±0.30	x.	±2*
.x	±0.25	.x	±1*
.xx	±0.15		



DEREN
SHENZHEN DEREN ELECTRONIC CO., LTD

DRAW NO.	DESIGN:	TY	DATE	TITLE: NGFF 4.0H KEY E GEN4
SC2309743-1	CHECK:	Sid Guo	2023.12.11	P/N: 5621D3-OXXH011X
REV. A	APPROVAL:	Mike Chen	2023.12.11	SHEET: 6/6
		Bill Lin	2023.12.11	SCALE: N/A UNIT: mm