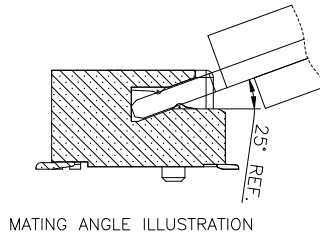
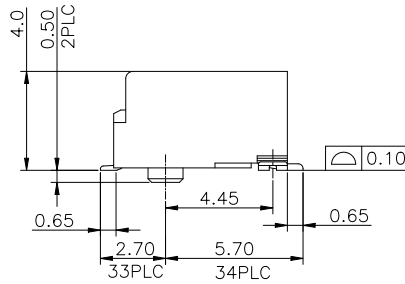
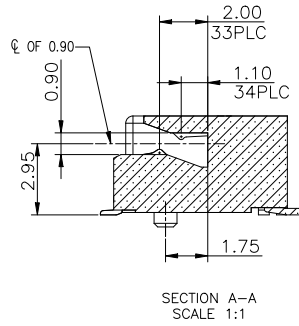
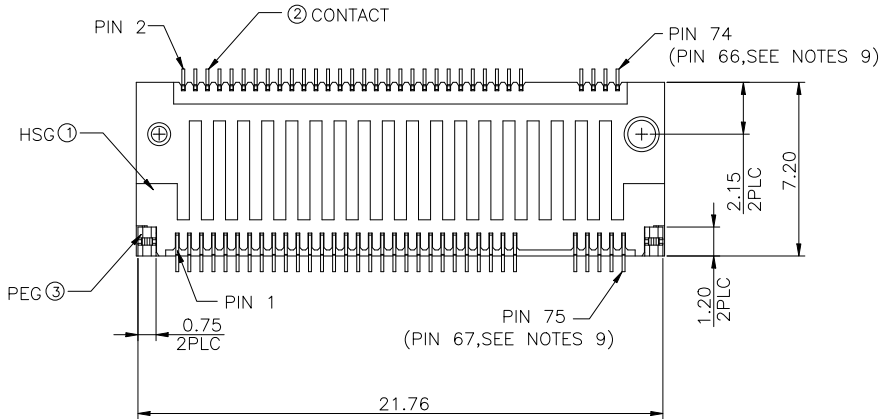
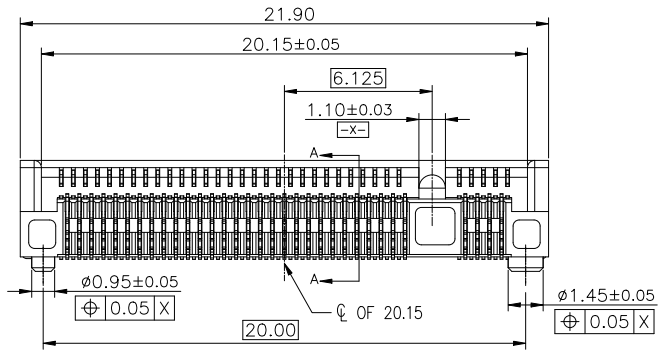
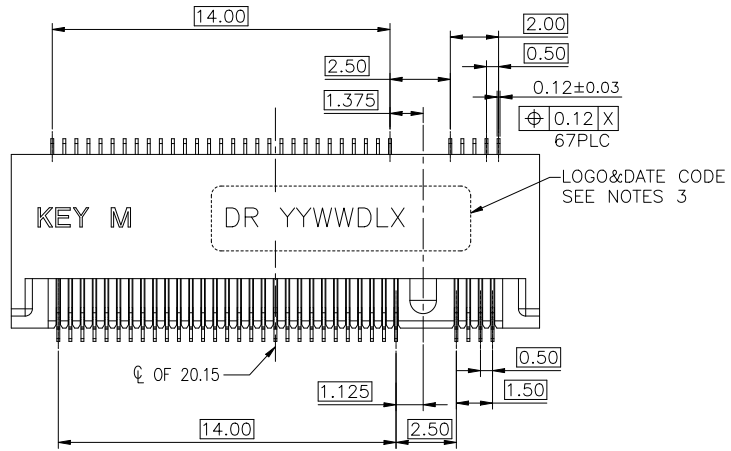


HF

Halogen Free



REV.	ECN NO.	LOCATION	DESCRIPTION	DATE	DESIGN
A			INITIAL RELEASE	2024.07.09	Sid Guo

- NOTES:
- PRODUCT MUST MEET CONTROLLED SUBSTANCES SPEC. ROHS 2.0
 - 1.MATERIAL:
 - 1.1 HOUSING:HIGH TEMPERATURE THERMOPLASTIC, UL94V.0; COLOR: BLACK
 - 1.2 CONTACT:COPPER ALLOY.
 - 1.3 SOLDER PEG AND LATCH:STAINLESS STEEL.
 - 2.FINISH:
 - 2.1 CONTACT: 50u" MIN NICKEL UNDERPLATED ALL OVER. GOLD FLASH PLATING ON SOLDERTAIL. GOLD PLATING (SEE NOTE 10) ON CONTACT AREA.
 - 2.2 SOLDER PEG: MATTE TIN 100u" MIN. AND NICKEL 50u" MIN UNDERPLATED.
 - 3.LOGO&DATE CODE:

LOGO: DR OR DEREN
DATECODE: YYWDLX
YY: YEAR (09: 2009)
WW: WEEK (25: THE 25TH WEEK)
D: DAY (1~7: SUNDAY~SATURDAY)
L: LINE NUMBER OF ASSEMBLY (A: LINE A)
X: MANUFACTURE CODE
 - 4.REFLOW SOLDER CAPABLE TO 260°C 10 SEC.
 - 5.ELECTRICAL CHARACTERISTICS :
 - 5.1 CURRENT RATING:0.5AMP.
 - 5.2 CONTACT RESISTANCE:55 MILLIOHMS MAX. INITIAL, 20 MILLIOHMS MAX. CHANGE AFTER TEST.
 - 5.3 IMPEDANCE:85±10% OHMS
 - 5.4 INSULATION RESISTANCE:500 MEGOHMS MIN. INITIAL 100 OHM MIN. CHANGE AFTER TEST.
 - 5.5 DIELECTRICAL WITHSTAND VOLTAGE:300V AC MIN.AT SEA LEVEL.
 - 6.MECHANICAL CHARACTERISTICS:
 - 6.1 INSERTION FORCE:20N MAX.PER CONTACT PAIR.
 - 6.2 DURABILITY:60 MATING AND UNMATING CYCLES.
 - 7.ENVIRONMENTAL CHARACTERISTICS:

OPERATING TEMPERATURE RANGE:-40°C TO +80°C.
 - 8.RECOMMENDED STENCIL THICKNESS:0.12MM MIN.
 - 9.CONNECTOR ACTUAL PIN QUANTITY IS 67,AS THE KEY TAKING OUT 8 PINS.
 - 10.PART NUMBER AS SHOWN BELOW.

562106-0XX H 0 1 1 X

PACKAGE CODE:

- R: EMBOSS WIDTH 44mm, SLOT BACKWARD
- 1: EMBOSS WIDTH 32mm, SLOT FORWARD
- 2: EMBOSS WIDTH 32mm, SLOT BACKWARD
- 3: EMBOSS WIDTH 44mm, SLOT FORWARD

Logo:

- 0: No Logo
- 1: DR Logo

Color:

- 1: Black
- 2: White

RESERVED CODE

HALOGEN CODE:

- H: HALOGEN FREE

PLATING CODE:

- 1: AuGF
- 2: Au5u"
- 3: Au10u"
- 4: 15u"
- 5: Au30u"

DIM	TOL	DIM	TOL
x.	±0.30	x.	±2*
.x	±0.25	.x	±1*
.xx	±0.15		

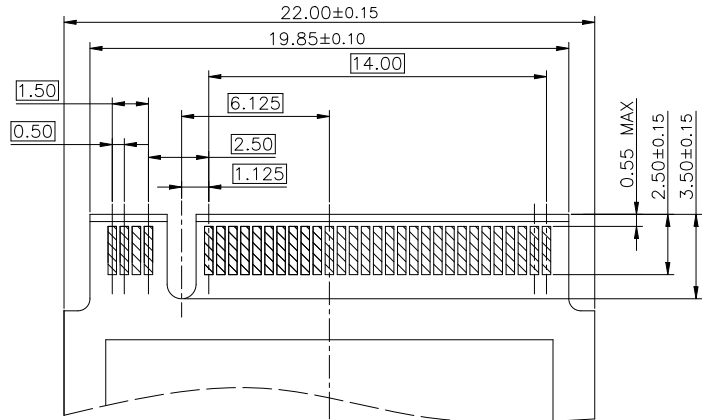


DEREN SHENZHEN DEREN ELECTRONIC CO., LTD			
C-DWG:	TY	DATE	TITLE: NGFF 4.0H KEY M GEN4
DESIGN:	Sid GUO	2024.07.09	P/N: 562106-0XXH011X
CHECK:	Mike Chen	2024.07.09	SHEET: 1/6
APPROVAL:	Bill Lin	2024.07.09	SCALE: N/A UNIT: mm

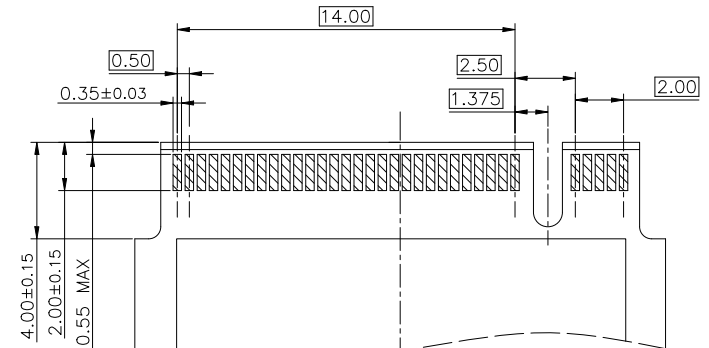
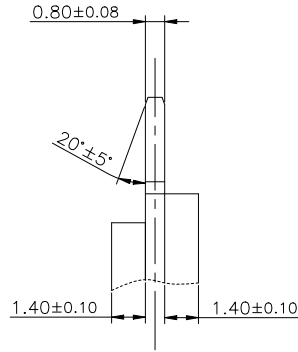
HF

Halogen Free

PLUG PCB

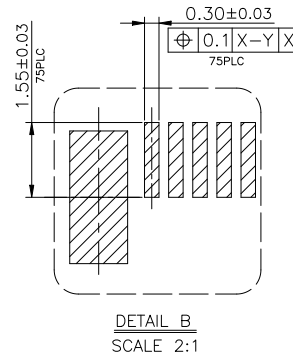
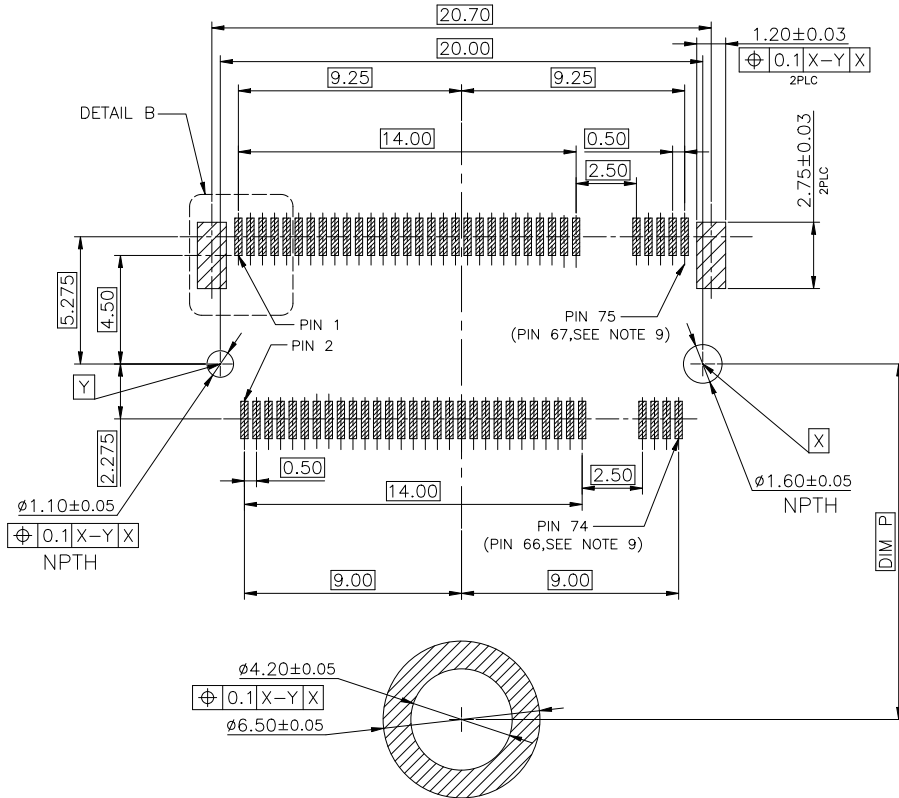


BOTTOM SIDE



TOP SIDE

RECOMMENDED PCB LAYOUT(TOP VIEW)



22110	108.25
2280	78.25
2260	58.25
2242	40.25
2230	28.25
3042	40.25
3030	28.25
MODULE TYPE	DIM P

DIM	TOL	DIM	TOL
x.	±0.20	x.	±2*
.x	±0.10	.x	±1*
.xx	±0.05		

DEREN
SHENZHEN DEREN ELECTRONIC CO., LTD

C-DWG:	TY	DATE	TITLE: NGFF 4.0H KEY M GEN4
DESIGN:	Sid GUO	2024.07.09	P/N: 562106-0XXH011X
CHECK:	Mike Chen	2024.07.09	SHEET: 2/6
APPROVAL:	Bill Lin	2024.07.09	SCALE: N/A UNIT: mm

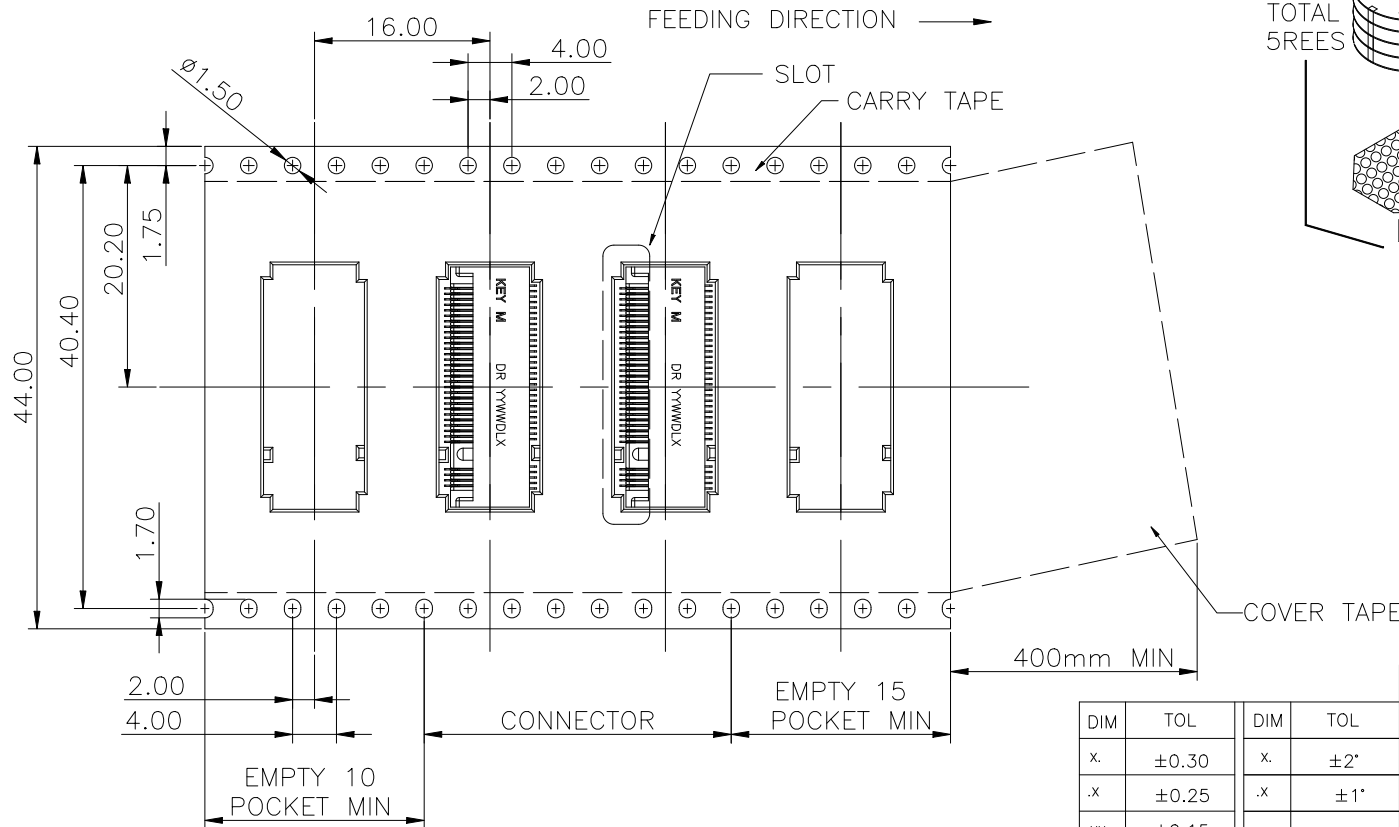
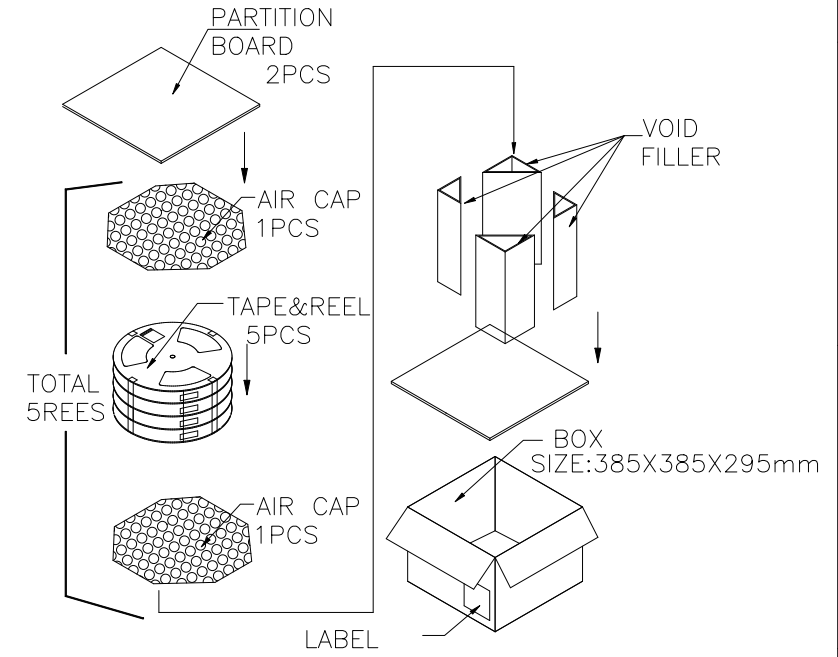
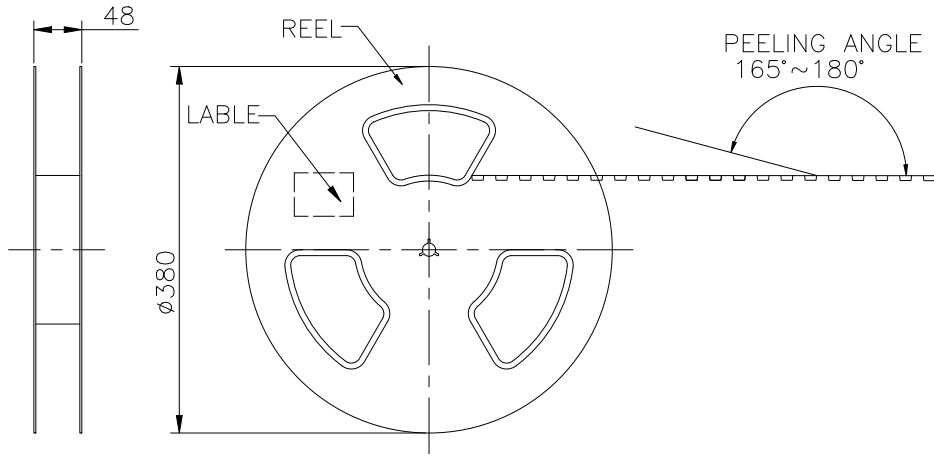
DRAW NO. SC2410307-1

REV. A

HF

Halogen Free

EMBOSS WIDTH 44mm, SLOT BACKWARD FOR 562106-0XXH011R



1100	5	5500
PCS/TAPE	REELS/BOX	PCS/BOX

DIM	TOL	DIM	TOL
x.	± 0.30	x.	$\pm 2^*$
.x	± 0.25	.x	$\pm 1^*$
.xx	± 0.15		

DEREN
SHENZHEN DEREN ELECTRONIC CO., LTD

C-DWG:	TY	DATE	TITLE: NGFF 4.0H KEY M GEN4
DESIGN:	Sid Guo	2024.07.09	P/N: 562106-0XXH011X
CHECK:	Mike Chen	2024.07.09	SHEET: 3/6
APPROVAL:	Bill Lin	2024.07.09	SCALE: N/A UNIT: mm

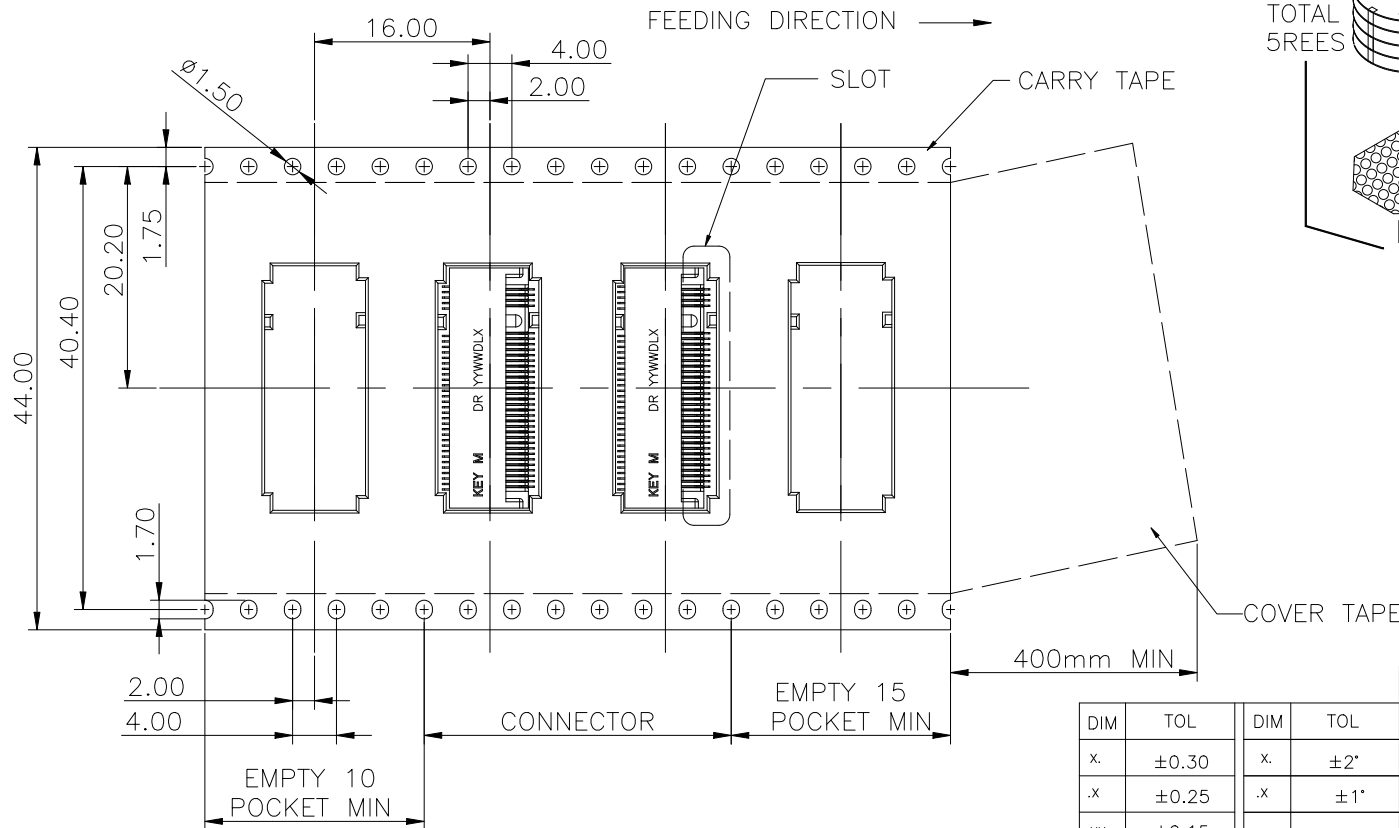
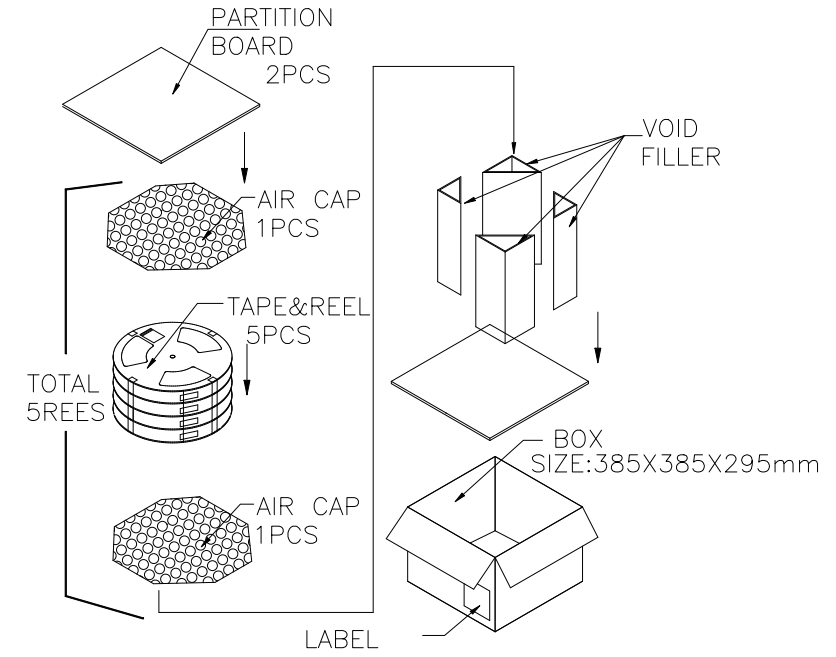
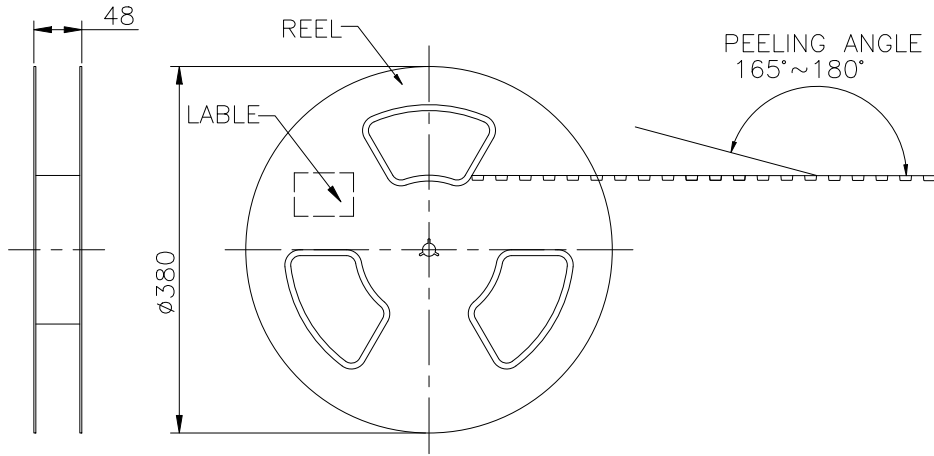
DRAW NO. SC2410307-1

REV. A

HF

Halogen Free

EMBOSS WIDTH 44mm, SLOT FORWARD FOR 562106-0XXH0113



1100	5	5500
PCS/TAPE	REELS/BOX	PCS/BOX

DIM	TOL	DIM	TOL
x.	±0.30	x.	±2'
.x	±0.25	.x	±1'
.xx	±0.15		

DEREN
SHENZHEN DEREN ELECTRONIC CO., LTD

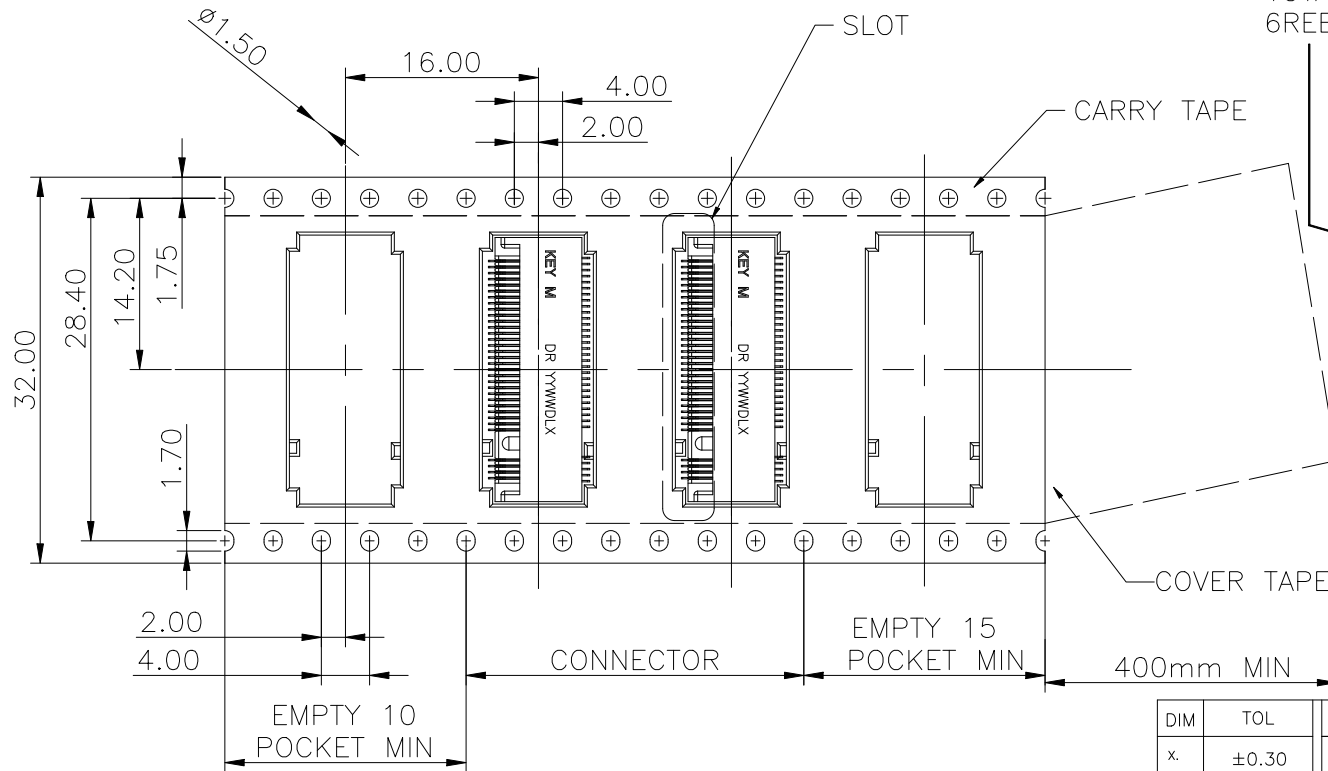
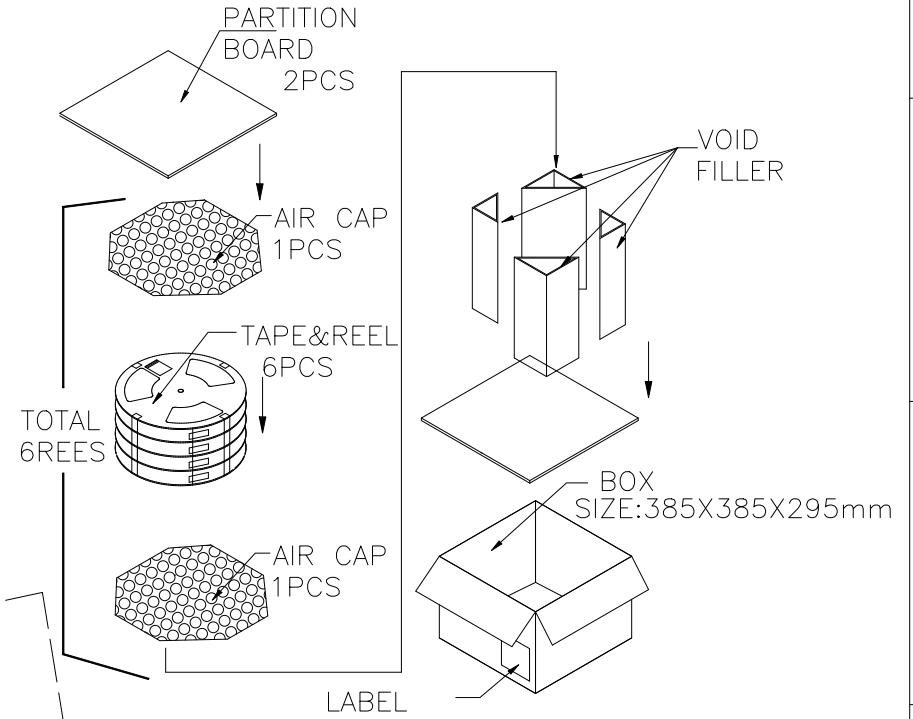
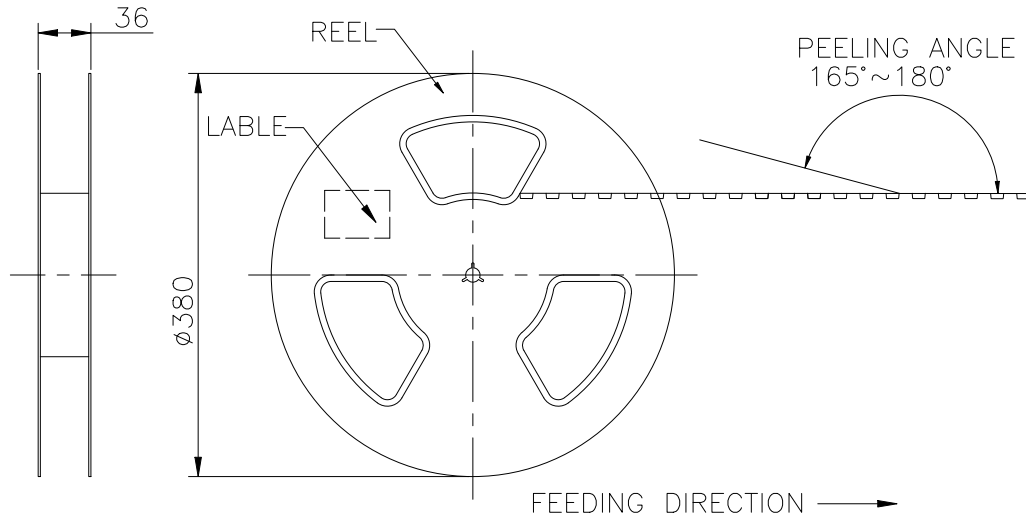
C-DWG:	TY	DATE	TITLE: NGFF 4.0H KEY M GEN4
DESIGN:	Sid Guo	2024.07.09	P/N: 562106-0XXH011X
CHECK:	Mike Chen	2024.07.09	SHEET: 4/6
APPROVAL:	Bill Lin	2024.07.09	SCALE: N/A UNIT: mm

DRAW NO.	SC2410307-1
REV.	A

HF

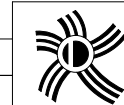
Halogen Free

EMBOSS WIDTH 32mm, SLOT BACKWARD FOR 562106-0XXH0112



1100	6	6600
PCS/ TAPE	REELS/ BOX	PCS/BOX

DIM	TOL	DIM	TOL
x.	±0.30	x.	±2'
.x	±0.25	.x	±1'
.xx	±0.15		



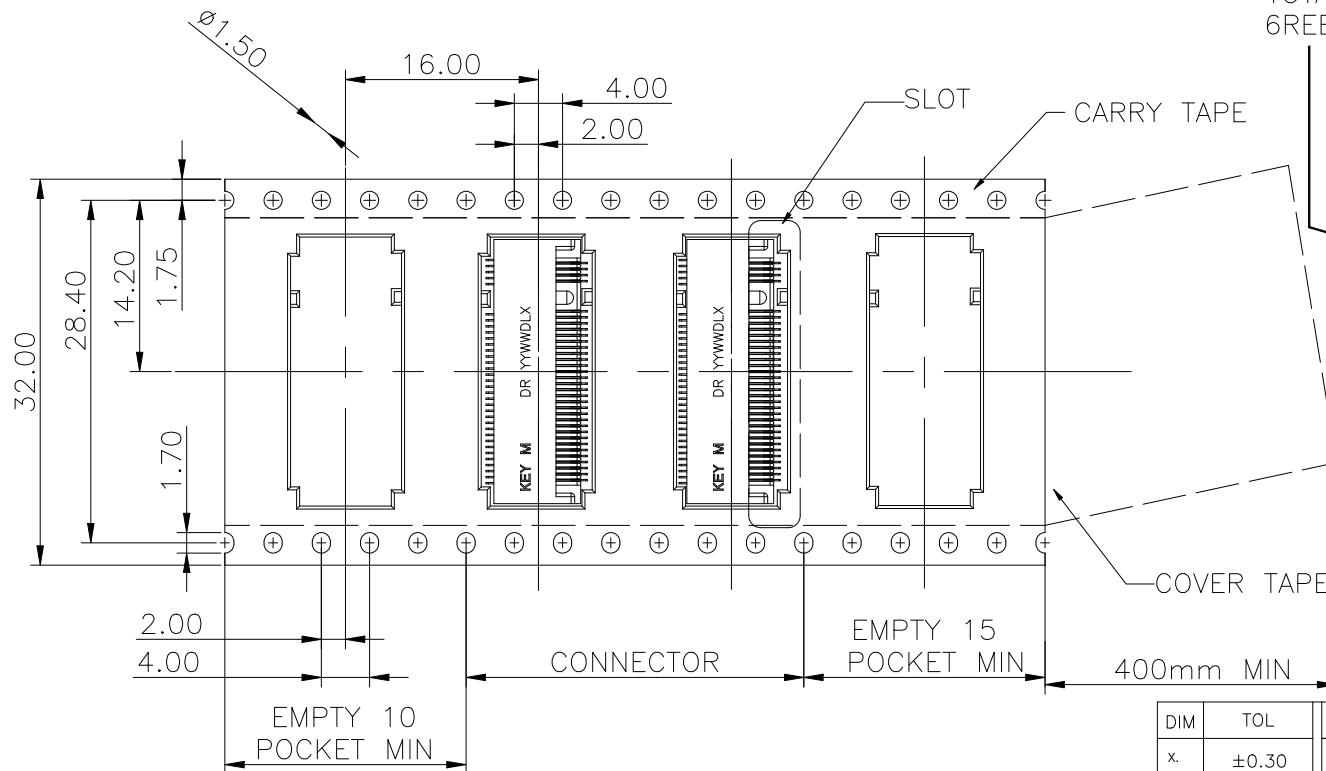
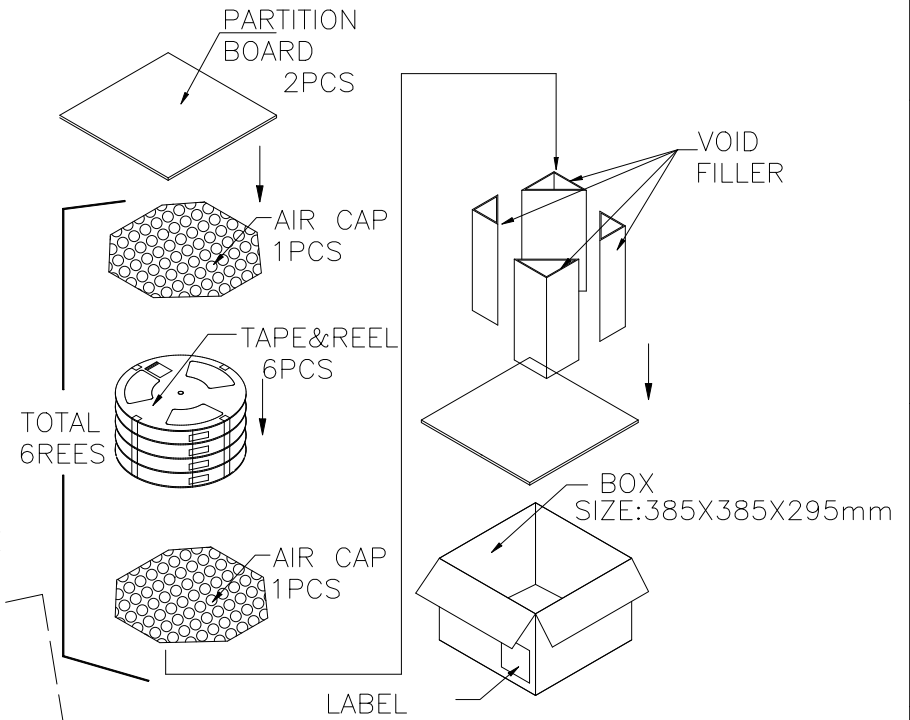
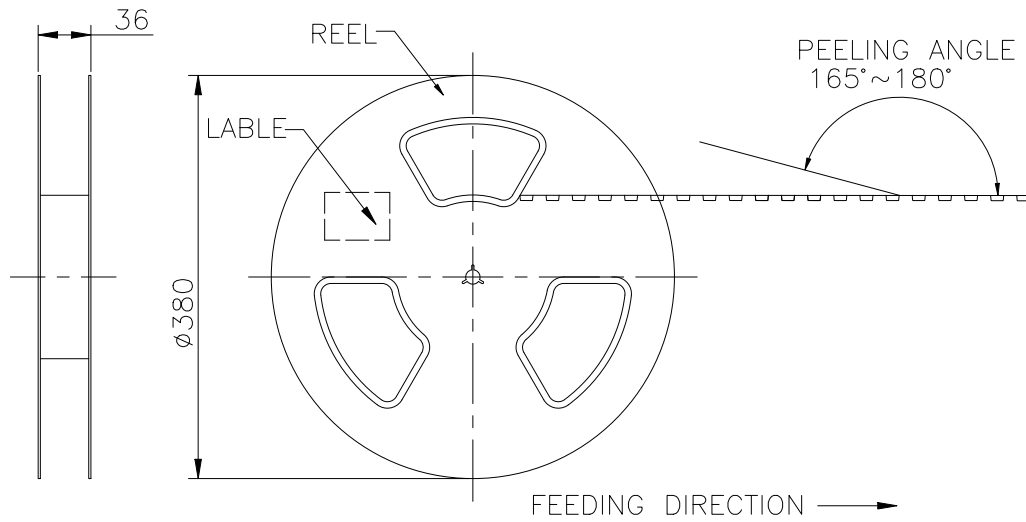
DEREN
SHENZHEN DEREN ELECTRONIC CO., LTD

DRAW NO.	DESIGN:	TY	DATE	TITLE: NGFF 4.0H KEY M GEN4
SC2410307-1	CHECK:	Sid Guo	2024.07.09	P/N: 562106-0XXH011X
REV. A	APPROVAL:	Mike Chen	2024.07.09	SHEET: 5/6
		Bill Lin	2024.07.09	SCALE: N/A UNIT: mm

HF

Halogen Free

EMBOSS WIDTH 32mm, SLOT FORWARD FOR 562106-0XXH0111



1100	6	6600
PCS/TAPE	REELS/BOX	PCS/BOX

DIM	TOL	DIM	TOL
x.	±0.30	x.	±2'
.x	±0.25	.x	±1'
.xx	±0.15		

DEREN
SHENZHEN DEREN ELECTRONIC CO., LTD

C-DWG:	TY	DATE	TITLE: NGFF 4.0H KEY M GEN4
DESIGN:	Sid Guo	2024.07.09	P/N: 562106-0XXH011X
CHECK:	Mike Chen	2024.07.09	SHEET: 6/6
APPROVAL:	Bill Lin	2024.07.09	SCALE: N/A UNIT: mm