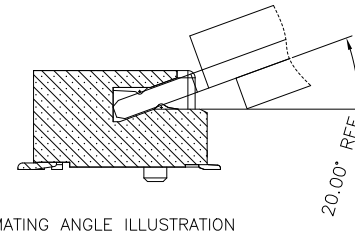
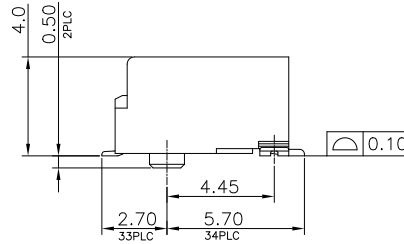
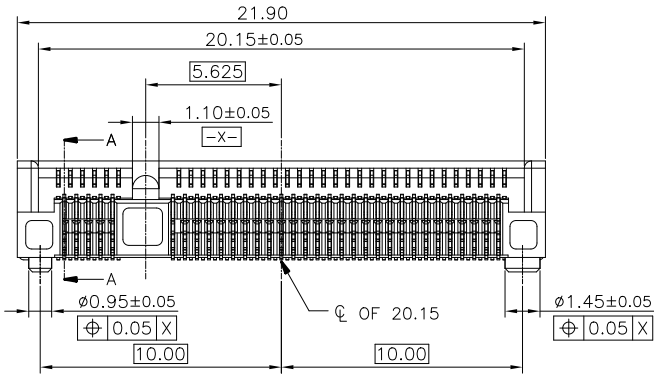
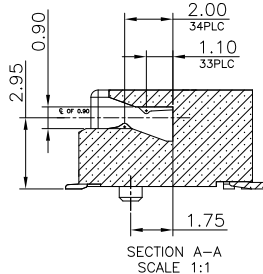
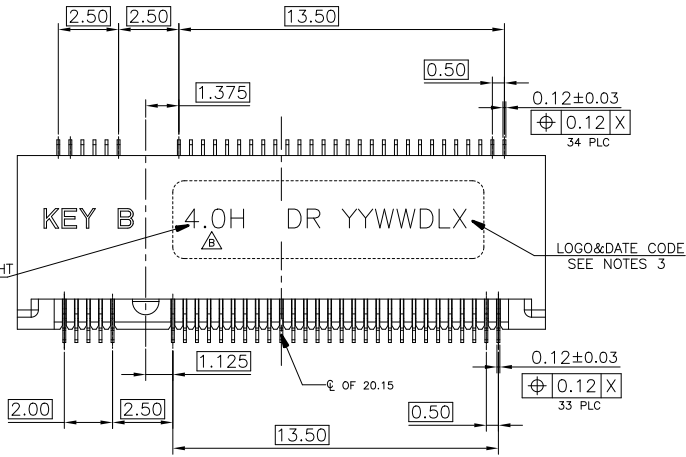


HF

Halogen Free



NOTES:

PRODUCT MUST MEET CONTROLLED SUBSTANCES SPEC. ROHS 2.0 AND MEET DEREN CONTROLLED SUBSTANCES SPEC PER WI-PB-S-010

1. MATERIAL:

- 1.1 HOUSING: LCP, UL94V-0
- 1.2 CONTACT: PHOSPHOR BRONZE.
- 1.3 SOLDER PEG: STAINLESS STEEL.

2. FINISH:

- 2.1 CONTACT: UNDERPLATING NICKEL 50u" MIN OVERALL, GF PLATING ON SOLDER AREA. CONTACT AREA: SEE NOTE 7,
- 2.2 SOLDER PEG: MATTE TIN 100u" MIN. AND NICKEL 50u" MIN UNDER PLATED.

3. LOGO&DATE CODE:

LOGO: DEREN OR DR
 DATE CODE:YYWDLX
 YY: YEAR (09: 2009)
 WW: WEEK (25: THE 25TH WEEK)
 D: DAY (1~7: SUNDAY~SATURDAY)
 L: LINE NUMBER OF ASSEMBLY (A: LINE A)
 X: MANUFACTURE CODE

4. RECOMMENDED STENCIL THICKNESS:0.12MM MIN.

5. REFLOW SOLDER CAPABLE TO 260°C 10 SEC.

6. CONNECTOR ACTUAL PIN QUANTITY IS 67, AS THE KEY TAKING OUT 8 PINS.

7.PART NUMBER DESCRIPTION

562120-00XH011X

PACKAGE CODE:

- R: EMBOSS WIDTH 44mm, SLOT BACKWARD
- 1: EMBOSS WIDTH 32mm, SLOT FORWARD
- 2: EMBOSS WIDTH 32mm, SLOT BACKWARD
- 3: EMBOSS WIDTH 44mm, SLOT FORWARD

Logo:

- 0:NO Logo
- 1:DR Logo

Color:

- 1:Black
- 2:White
- RESERVED

HALOGEN CODE:

- H:HALOGEN FREE

PLATING CODE:

- 1: AuGF
- 2: Au5u"
- 3: Au10u"
- 4: 15u"
- 5: Au30u"



DEREN

SHENZHEN DEREN ELECTRONIC CO., LTD

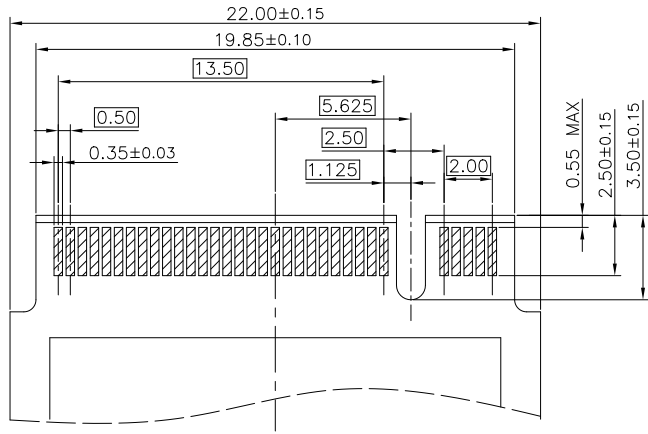
DIM	TOL	DIM	TOL
x.	±0.30	x.	±2*
.x	±0.25	.x	±1*
.xx	±0.15		

DRAW NO.	DESIGN:	DATE	TITLE:
SC2208248-1	Sid Guo	2023.12.06	NGFF 4.0H KEY B GEN4
REV.	CHECK:	APPROVAL:	P/N:
B	Mike Chen	Bill Lin	562120-00XH011X
			SHEET:
			1/6
			SCALE:
			N/A
			UNIT:
			mm

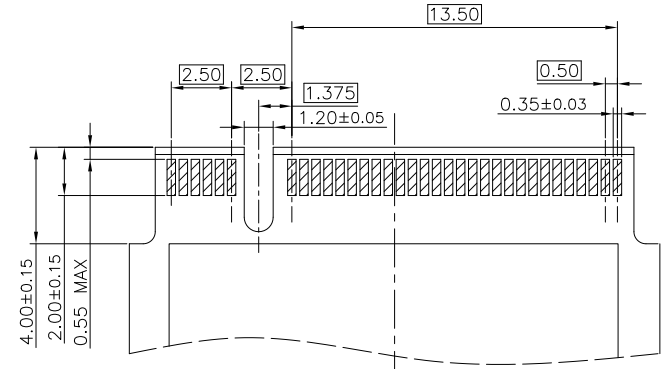
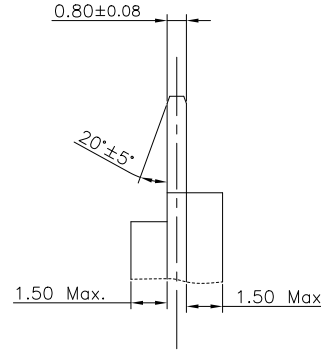
HF

Halogen Free

PLUG PCB

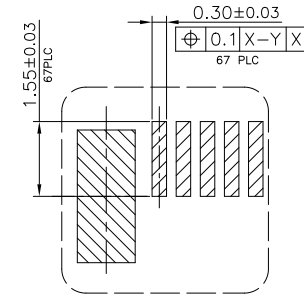
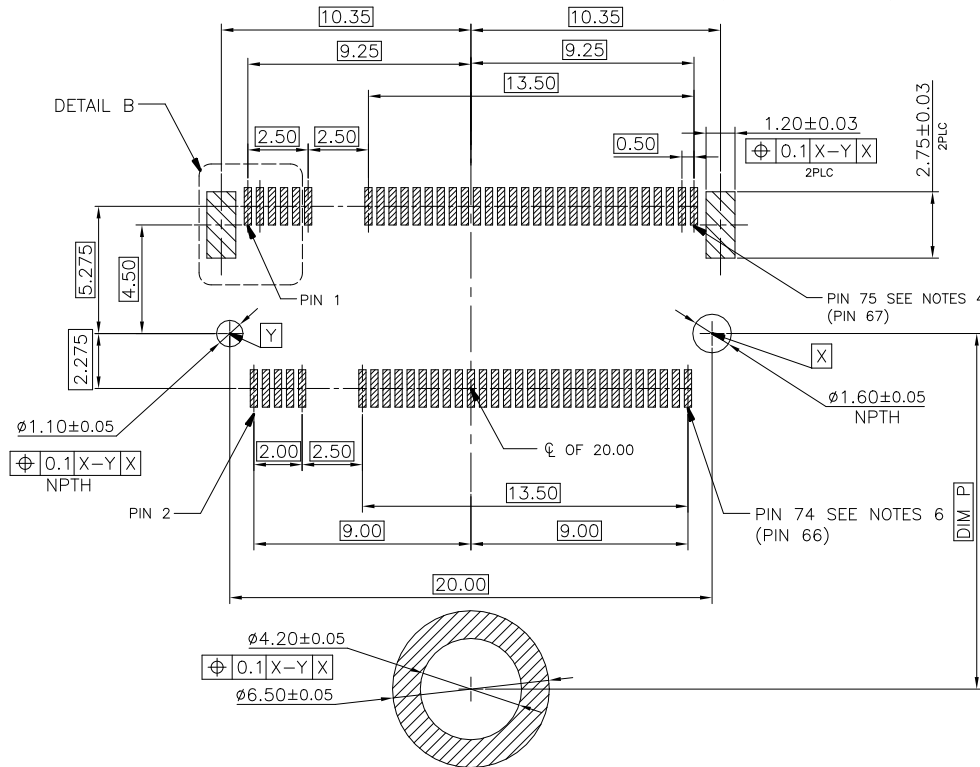


BOTTOM SIDE



TOP SIDE

RECOMMENDED PCB LAYOUT(TOP VIEW)



DETAIL B
SCALE 2:1

22110	108.25
2280	78.25
2260	58.25
2242	40.25
2230	28.25
3042	40.25
3030	28.25
MODULE TYPE	DIM P

DIM	TOL	DIM	TOL
x.	±0.20	x.	±2*
.x	±0.10	.x	±1*
.xx	±0.05		

DEREN
SHENZHEN DEREN ELECTRONIC CO., LTD

C-DWG:	ES	DATE	TITLE: NGFF 4.0H KEY B GEN4
DESIGN:	Sid Guo	2023.12.06	P/N: 562120-00XH011X
CHECK:	Mike Chen	2023.12.06	SHEET: 2/6
APPROVAL:	Bill Lin	2023.12.06	SCALE: N/A UNIT: mm

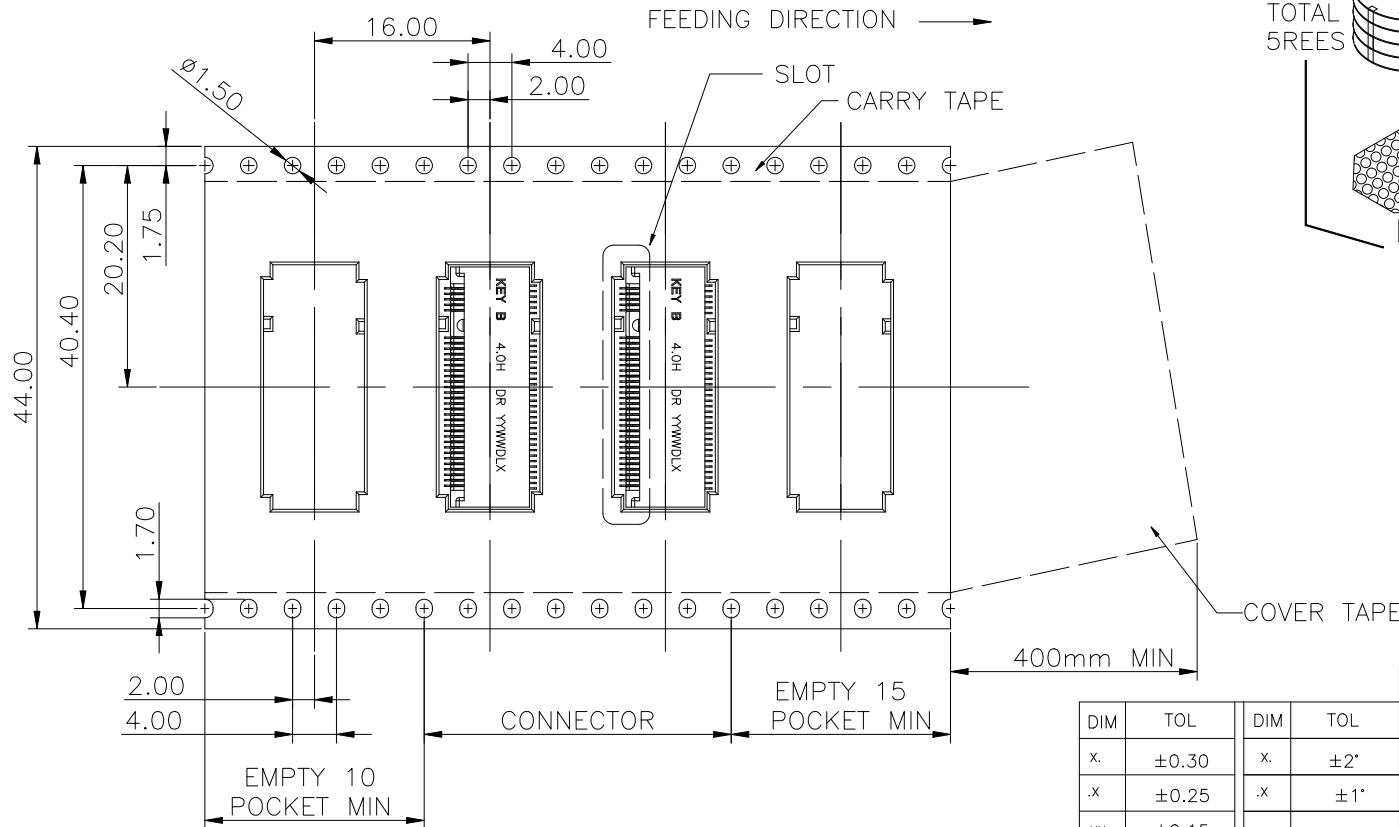
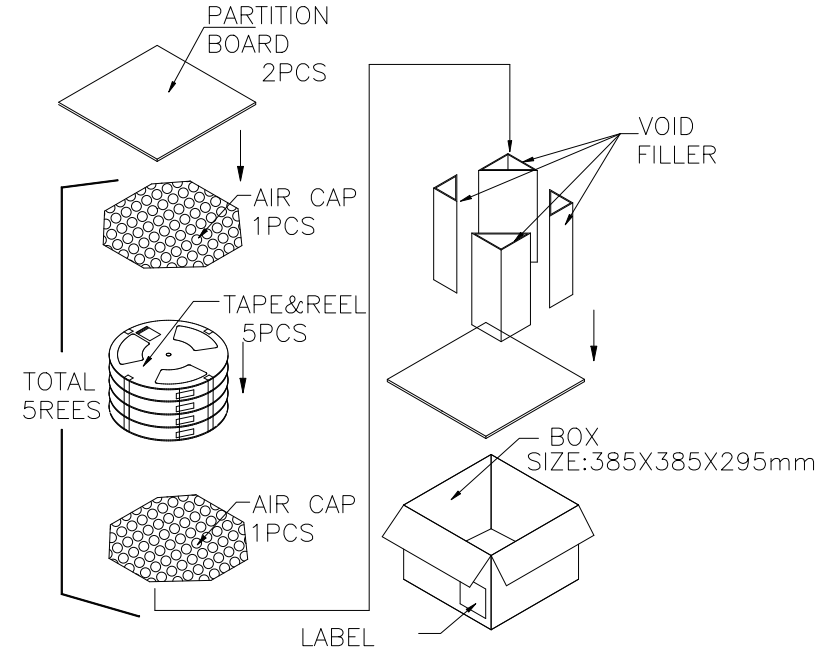
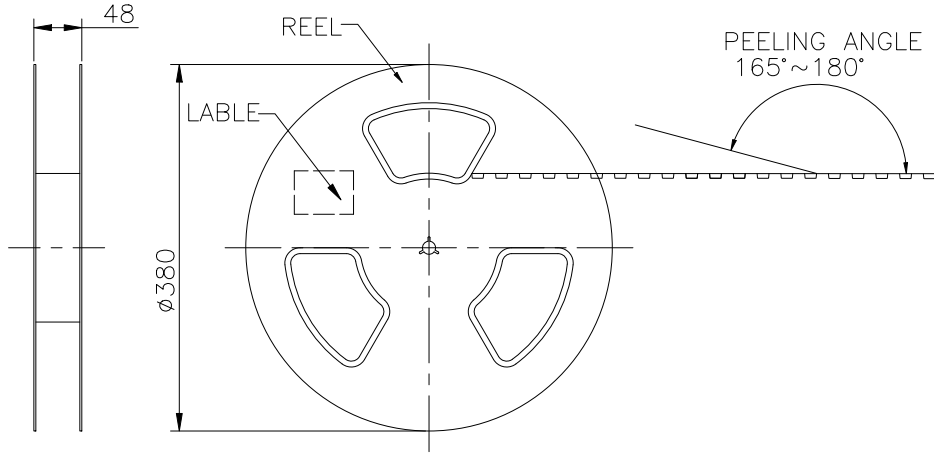
DRAW NO.
SC2208248-1

REV. B

HF

Halogen Free

EMBOSS WIDTH 44mm, SLOT BACKWARD FOR 562120-00XH011R



1100	5	5500
PCS/TAPE	REELS/BOX	PCS/BOX

DIM	TOL	DIM	TOL
x.	± 0.30	x.	$\pm 2^{\circ}$
.x	± 0.25	.x	$\pm 1^{\circ}$
.xx	± 0.15		

DEREN
SHENZHEN DEREN ELECTRONIC CO., LTD

C-DWG:	ES	DATE	TITLE: NGFF 4.0H KEY B GEN4
DESIGN:	Sid Guo	2023.12.06	P/N: 562120-00XH011X
CHECK:	Mike Chen	2023.12.06	SHEET: 3/6
APPROVAL:	Bill Lin	2023.12.06	SCALE: N/A UNIT: mm

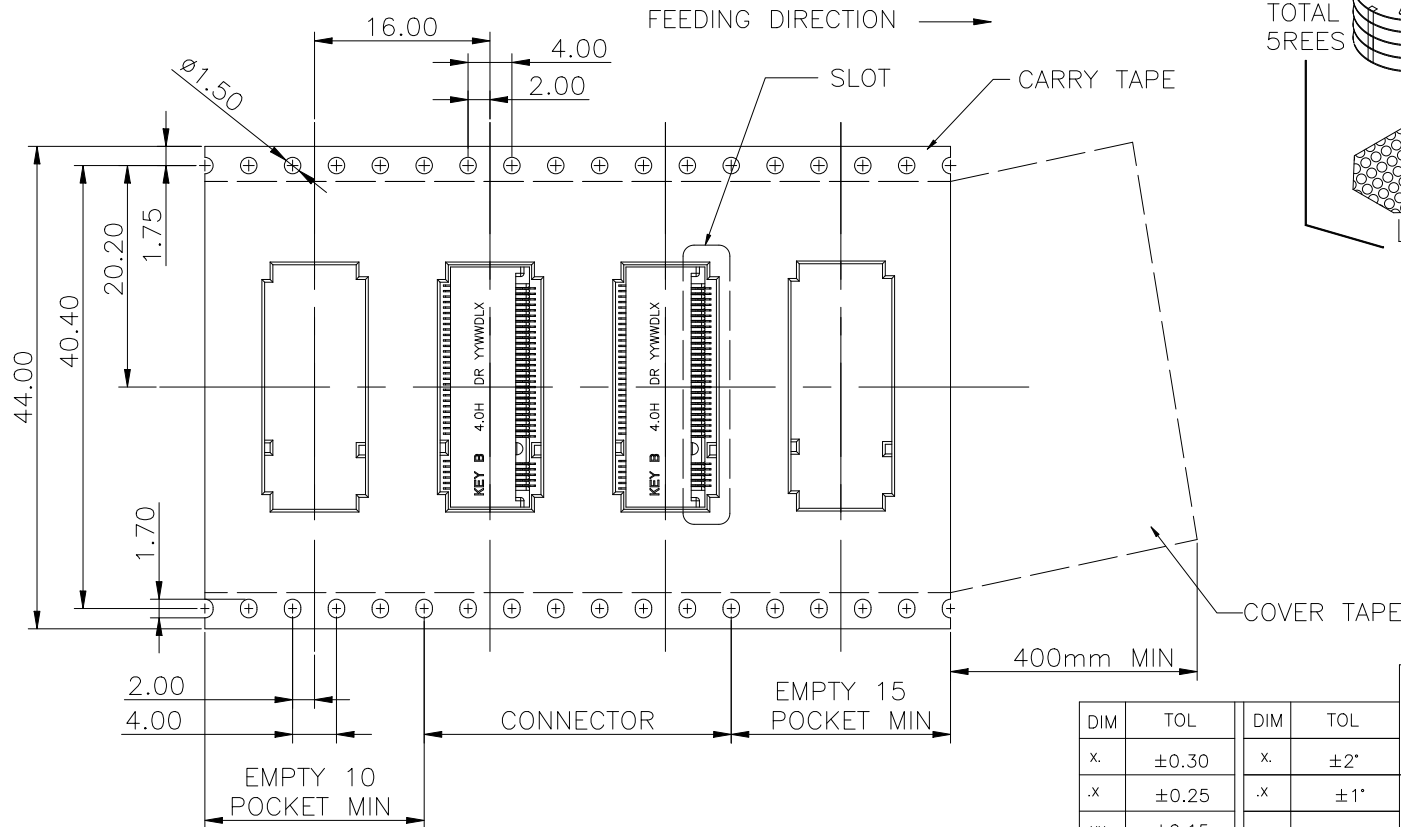
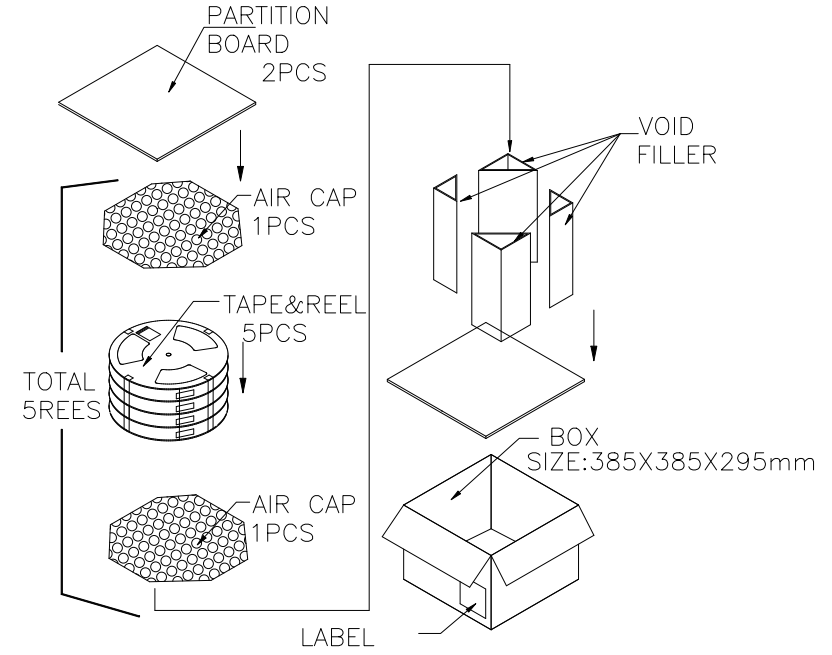
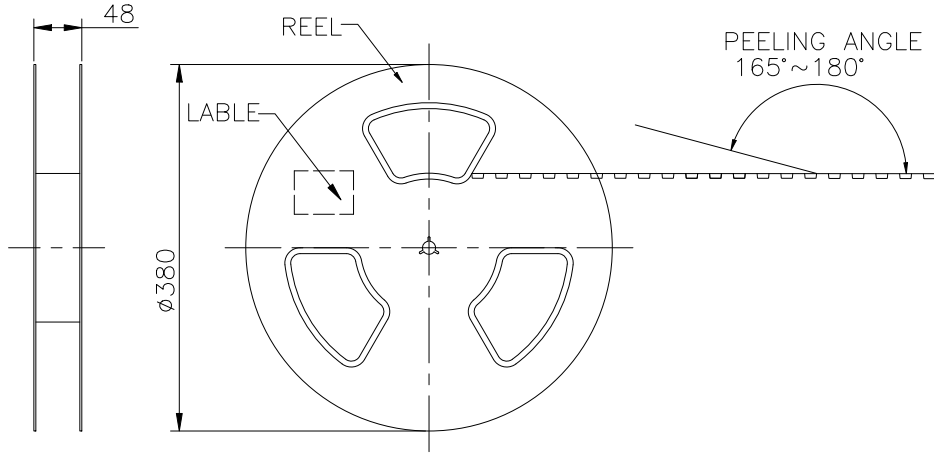
DRAW NO. SC2208248-1

REV. B

HF

Halogen Free

EMBOSS WIDTH 44mm, SLOT FORWARD FOR 562120-00XH0113



1100	5	5500
PCS/TAPE	REELS/BOX	PCS/BOX

DIM	TOL	DIM	TOL
x.	± 0.30	x.	$\pm 2^*$
.x	± 0.25	.x	$\pm 1^*$
.xx	± 0.15		

DEREN
SHENZHEN DEREN ELECTRONIC CO., LTD

C-DWG:	ES	DATE	TITLE: NGFF 4.0H KEY B GEN4
DESIGN:	Sid Guo	2023.12.06	P/N: 562120-00XH011X
CHECK:	Mike Chen	2023.12.06	SHEET: 4/6
APPROVAL:	Bill Lin	2023.12.06	SCALE: N/A UNIT: mm

DRAW NO.

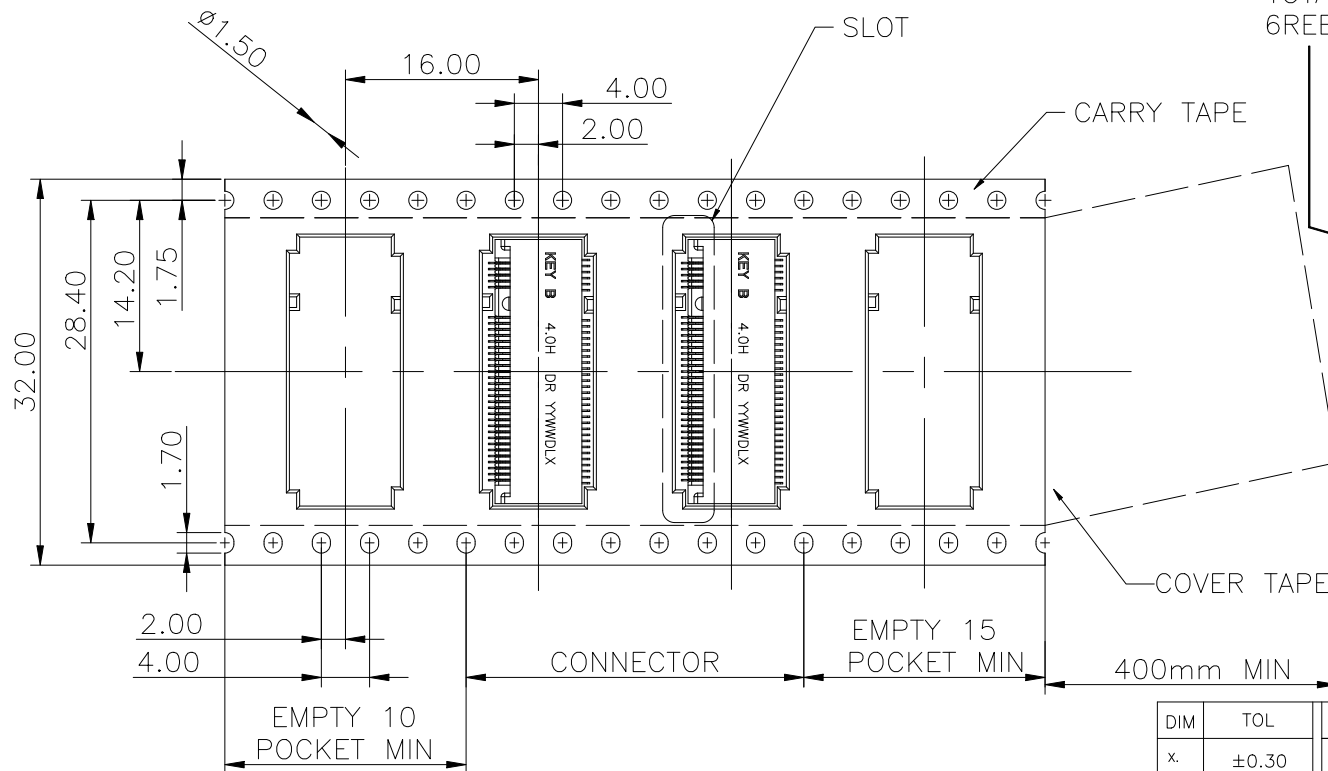
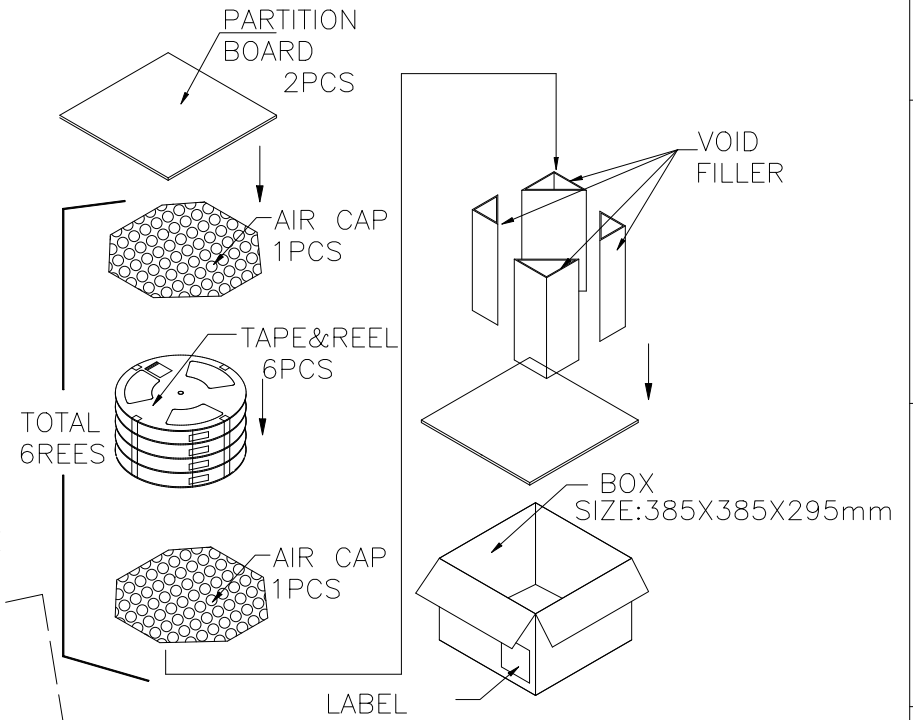
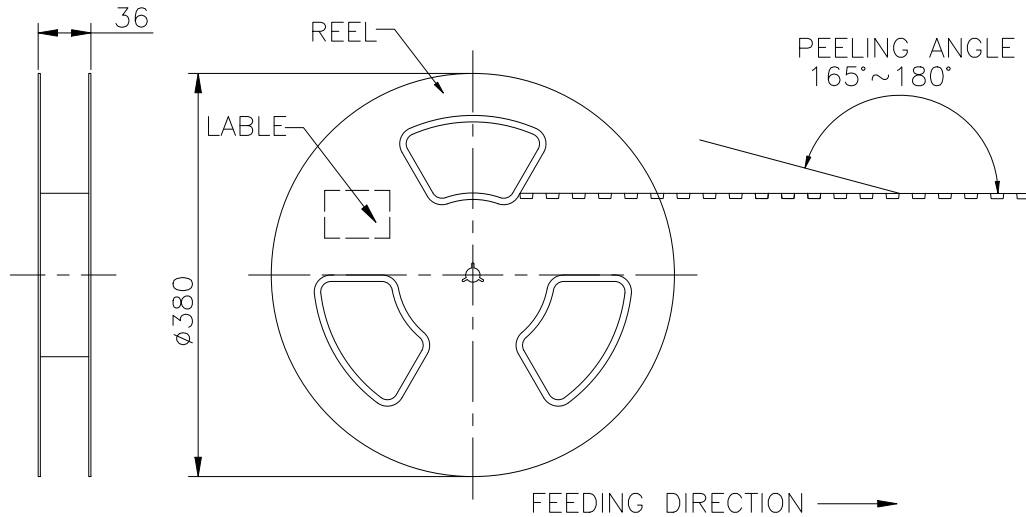
SC2208248-1

REV. B

HF

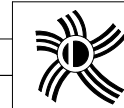
Halogen Free

EMBOSS WIDTH 32mm, SLOT BACKWARD FOR 562120-00XH0112



1100	6	6600
PCS/ TAPE	REELS/ BOX	PCS/BOX

DIM	TOL	DIM	TOL
x.	±0.30	x.	±2'
.x	±0.25	.x	±1'
.xx	±0.15		



DEREN
SHENZHEN DEREN ELECTRONIC CO., LTD

C-DWG:	ES	DATE	TITLE:NGFF 4.0H KEY B GEN4
DESIGN:	Sid Guo	2023.12.06	P/N:562120-00XH011X
CHECK:	Mike Chen	2023.12.06	SHEET: 5/6
APPROVAL:	Bill Lin	2023.12.06	SCALE: N/A UNIT: mm
DRAW NO.	SC2208248-1		
REV.	B		

