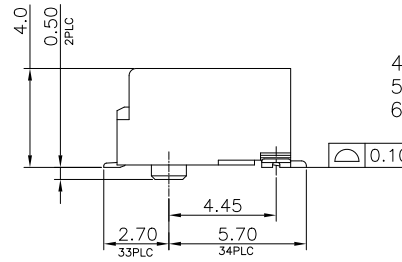
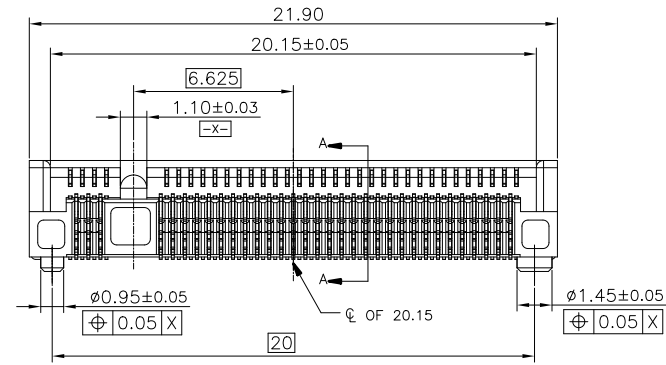
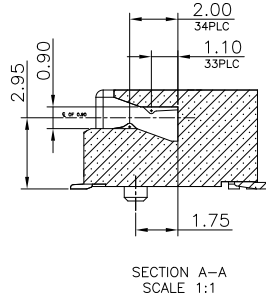
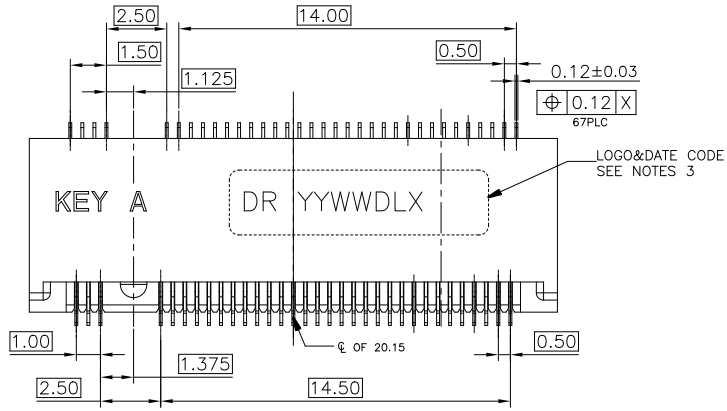


HF

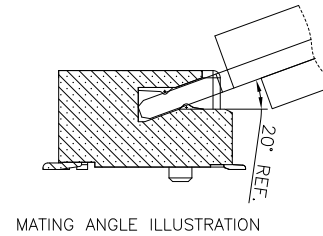
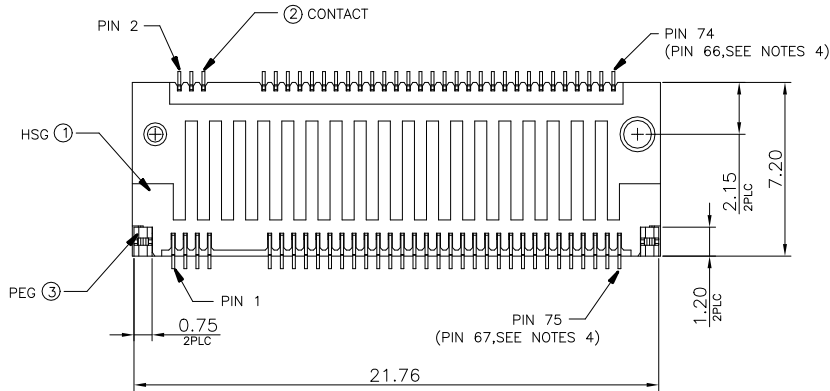
Halogen Free

REV.	ECN NO.	LOCATION	DESCRIPTION	DATE	DESIGN
A			INITIAL RELEASE	2023.11.18	Sid Guo



- NOTES:
- PRODUCT MUST MEETS CONTROLLED SUBSTANCES SPEC. ROHS 2.0 AND MEET DEREN CONTROLLED SUBSTANCES SPEC PER WI-PB-S-010 PER WI-PB-S-010.
- 1.MATERIAL:
- 1.1 HOUSING:HIGH TEMPERATURE THERMOPLASTIC,UL94V-0,COLOR:BLACK
 - 1.2 CONTACT: PHOSPHOR BROZNE.
 - 1.3 SOLDER PEG:STAINLESS STEEL.
2. FINISH:
- 2.1 CONTACT: UNDERPLATING NICKEL 50u" MIN OVERALL, GF PLATING ON SOLDER AREA. CONTACT AREA: SEE NOTE 6.
 - 2.2 SOLDER PEG: MATTE TIN 100u" MIN. AND NICKEL 50u" MIN UNDER PLATED.
- 3.LOGO&DATE CODE: LOGO:DEREN OR DR
DATE CODE:YYWDLX
YY: YEAR (09: 2009)
WW: WEEK (25: THE 25TH WEEK)
D: DAY (1~7: SUNDAY~SATURDAY)
L: LINE NUMBER OF ASSEMBLY (A: LINE A)
X: MANUFACTURE CODE
- 4.CONNECTOR ACTUAL PIN QUANTITY IS 67, AS THE KEY TAKING OUT 8 PINS.
- 5.RECOMMENDED STENCIL THICKNESS: 0.12MM MIN
- 6.PART NUMBER DESCRIPTION:
562137-00XH011X

- PACKAGE CODE:
- R: EMBOSS WIDTH 44mm, SLOT BACKWARD
 - 1: EMBOSS WIDTH 32mm, SLOT FORWARD
 - 2: EMBOSS WIDTH 32mm, SLOT BACKWARD
 - 3: EMBOSS WIDTH 44mm, SLOT FORWARD
- Logo:
- 0: No Logo
 - 1: DR Logo
- Color:
- 1: Black
 - 2: White
- RESERVED CODE
- HALOGEN CODE:
- H: HALOGEN FREE
- PLATING CODE:
- 1: GF
 - 2: Au5u"
 - 3: Au10u"
 - 4: 15u"
 - 5: Au30u"



DIM	TOL	DIM	TOL
x.	±0.30	x.	±2*
.x	±0.25	.x	±1*
.xx	±0.15		

DEREN
SHENZHEN DEREN ELECTRONIC CO., LTD

C-DWG:	TY	DATE	TITLE: NGFF 4.0H GEN4 KEY A
DESIGN:	Sid GUO	2023.11.18	P/N: 562137-00XH011X
CHECK:	Mike Chen	2023.11.18	SHEET: 1/6
APPROVAL:	Bill Lin	2023.11.18	SCALE: N/A UNIT: mm

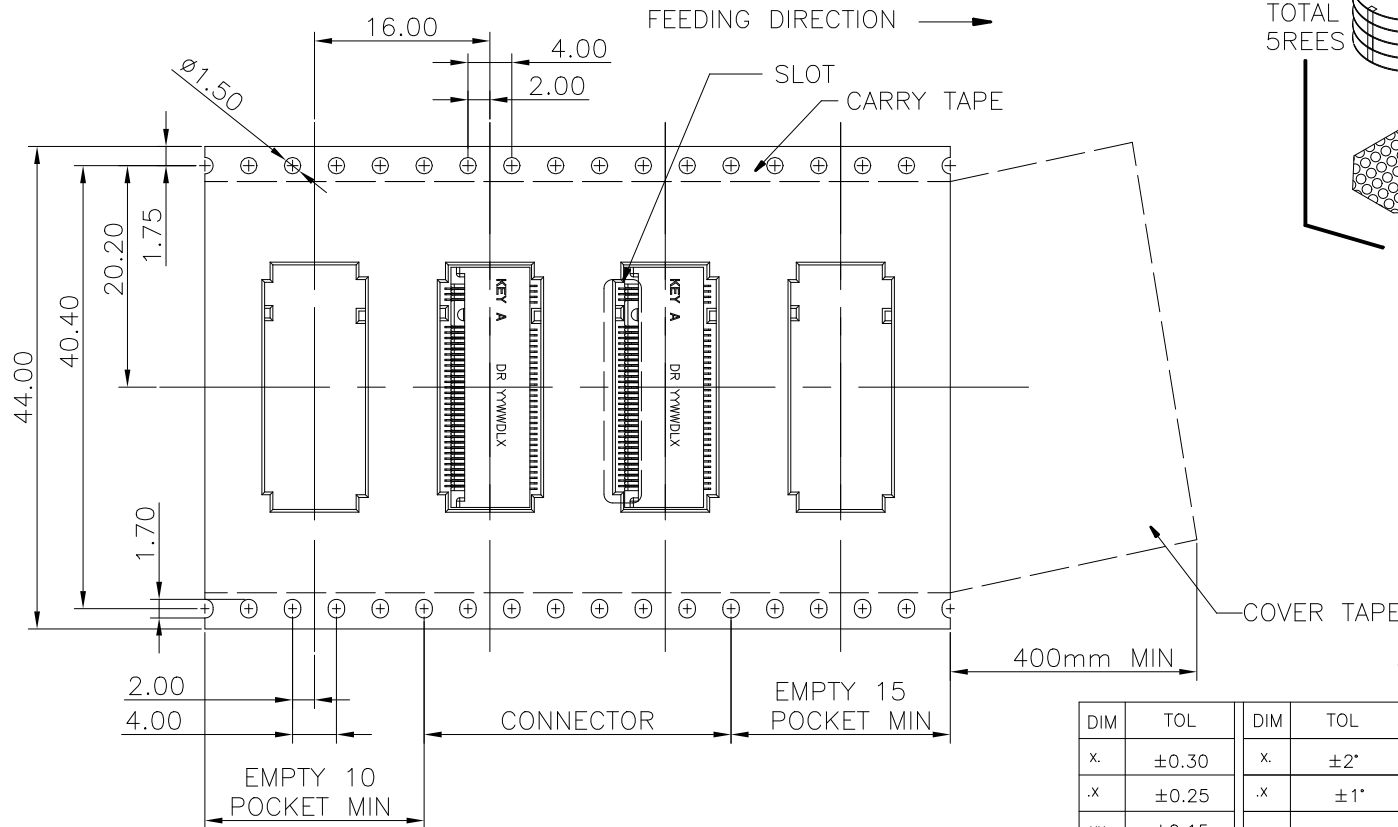
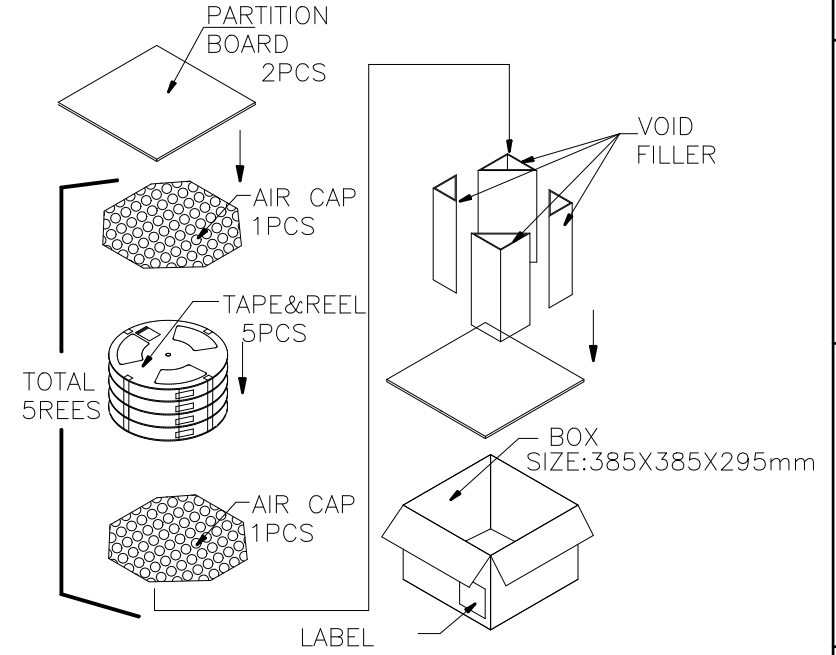
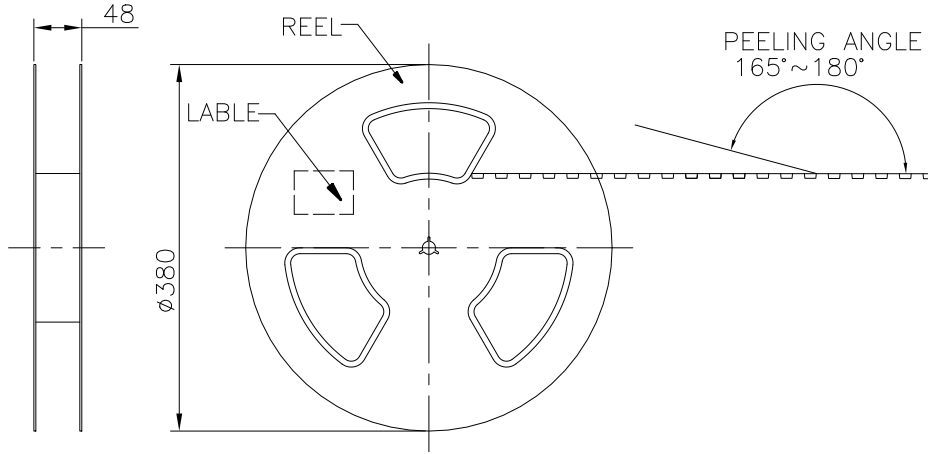
DRAW NO. SC23XXXX

REV. A

HF

Halogen Free

EMBOSS WIDTH 44mm, SLOT BACKWARD FOR 562137-00XH011R



1100	5	5500
PCS/TAPE	REELS/BOX	PCS/BOX

DIM	TOL	DIM	TOL
x.	± 0.30	x.	$\pm 2^*$
.x	± 0.25	.x	$\pm 1^*$
.xx	± 0.15		

DEREN
SHENZHEN DEREN ELECTRONIC CO., LTD

C-DWG:	TY	DATE	TITLE: NGFF 4.0H GEN4 KEY A
DESIGN:	Sid Guo	2023.11.18	P/N: 562137-00XH011X
CHECK:	Mike Chen	2023.11.18	SHEET: 3/6
APPROVAL:	Bill Lin	2023.11.18	SCALE: N/A UNIT: mm

DRAW NO.

SC23XXXX

REV. A

DESIGN:

CHECK:

APPROVAL:

DATE

2023.11.18

2023.11.18

P/N: 562137-00XH011X

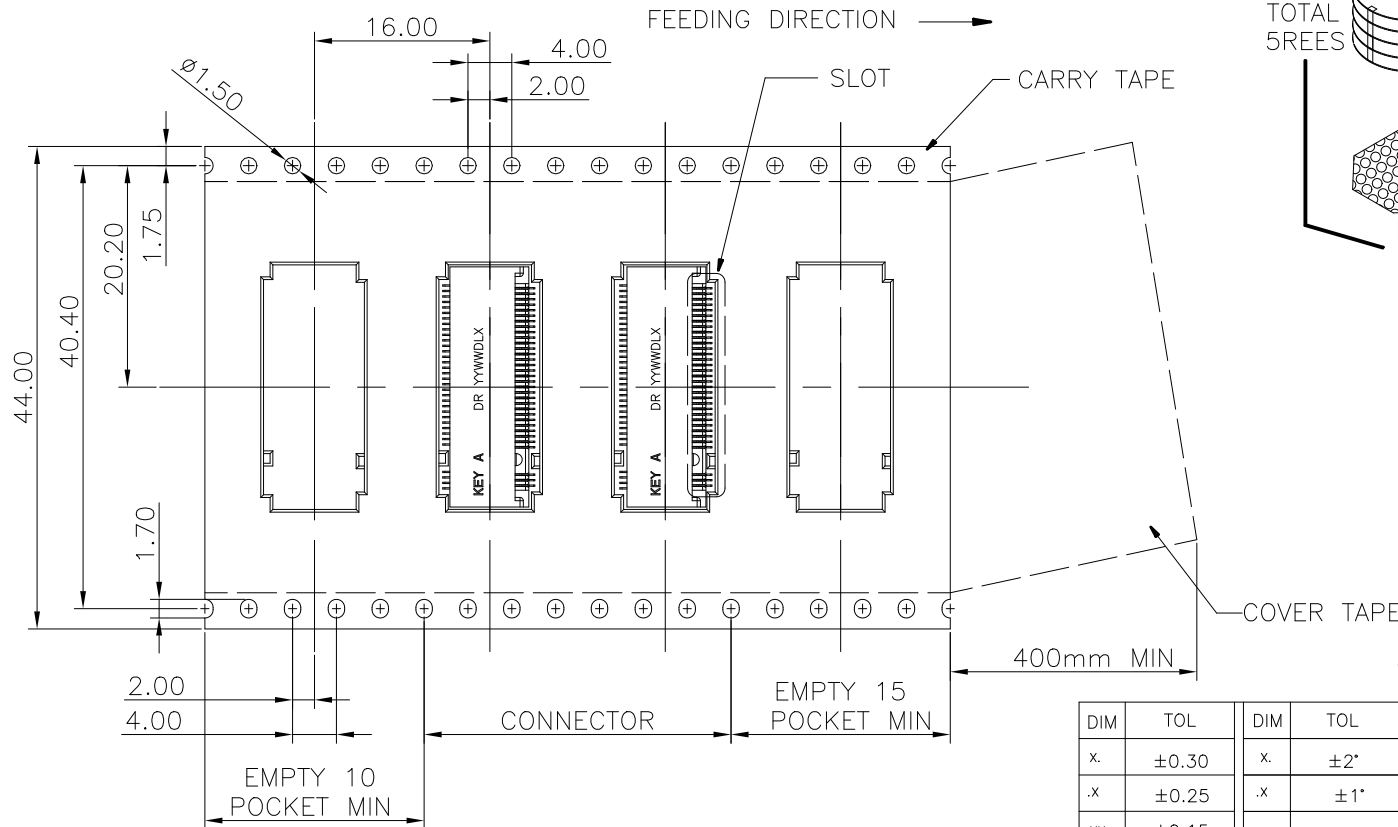
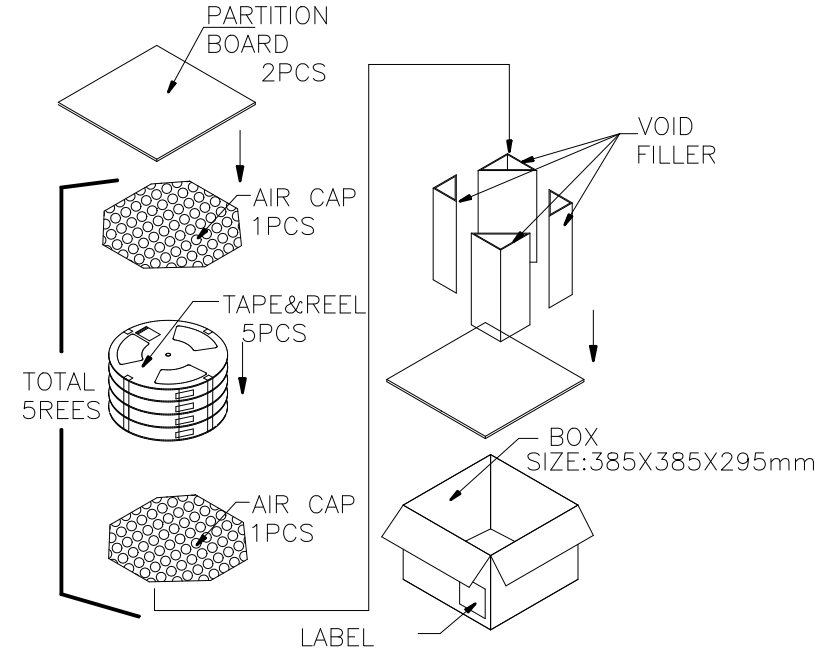
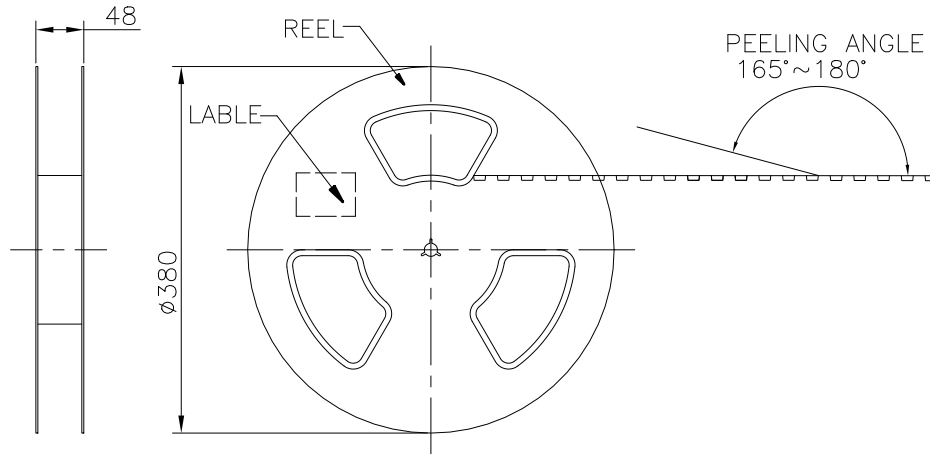
SHEET: 3/6

SCALE: N/A UNIT: mm

HF

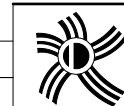
Halogen Free

EMBOSS WIDTH 44mm, SLOT FORWARD FOR 562137-00XH0113



1100	5	5500
PCS/TAPE	REELS/BOX	PCS/BOX

DIM	TOL	DIM	TOL
x.	±0.30	x.	±2*
.x	±0.25	.x	±1*
.xx	±0.15		



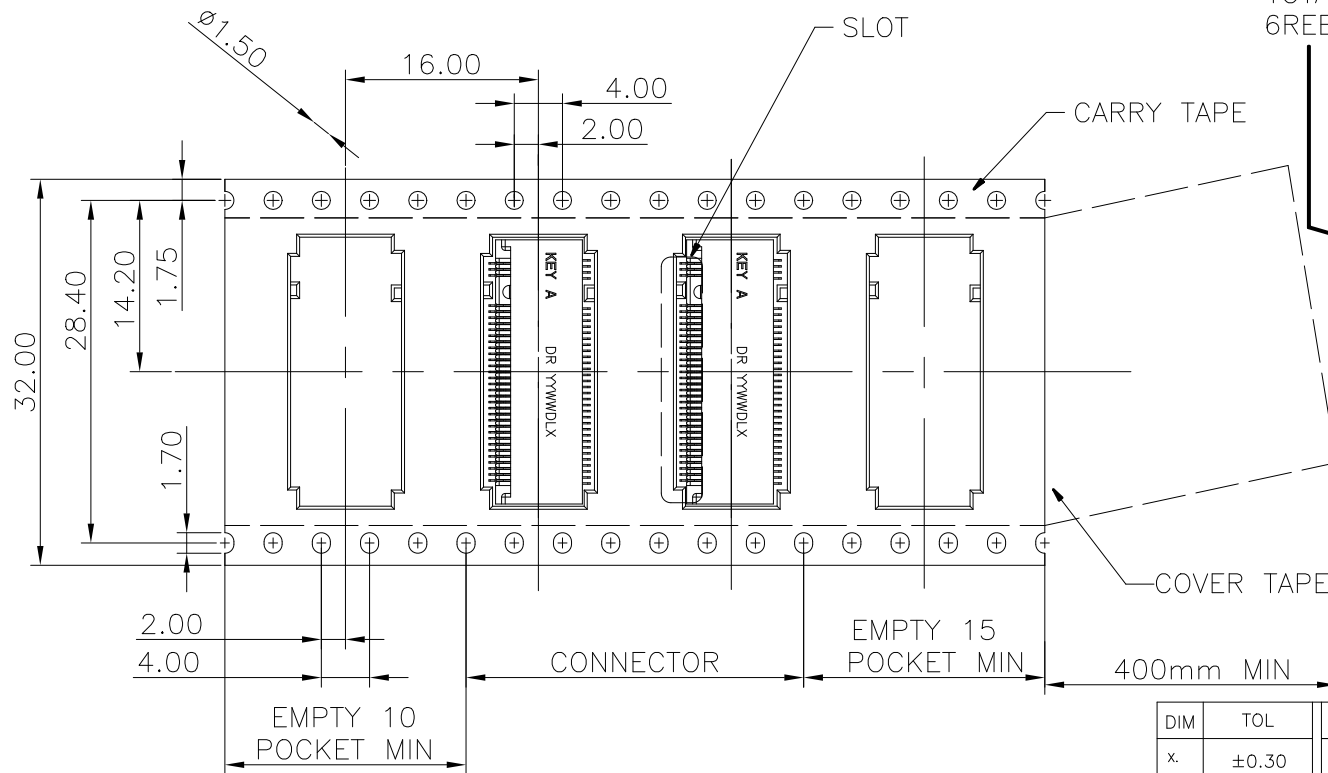
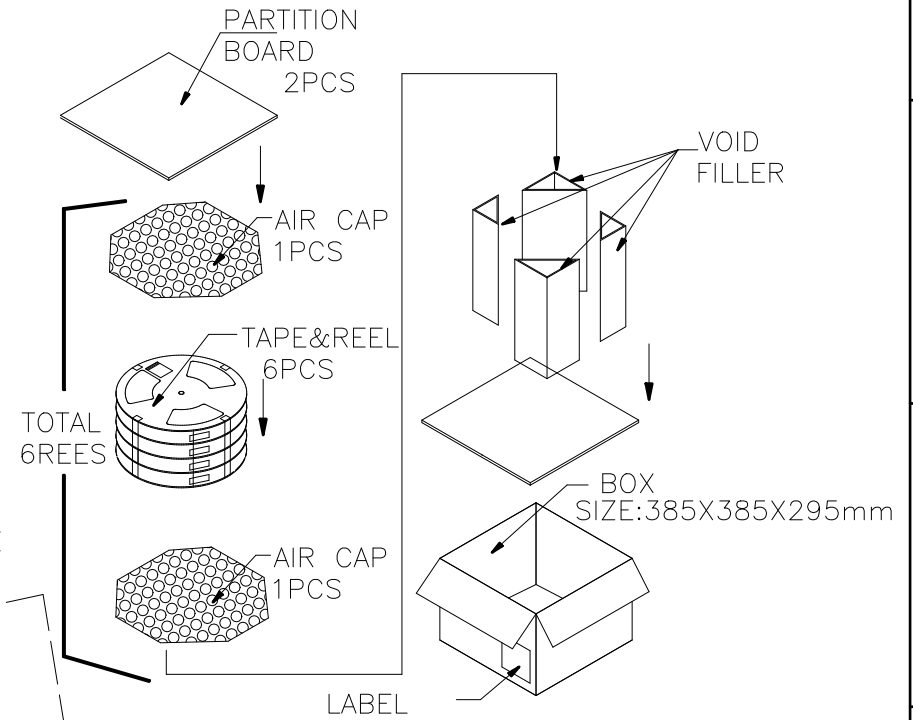
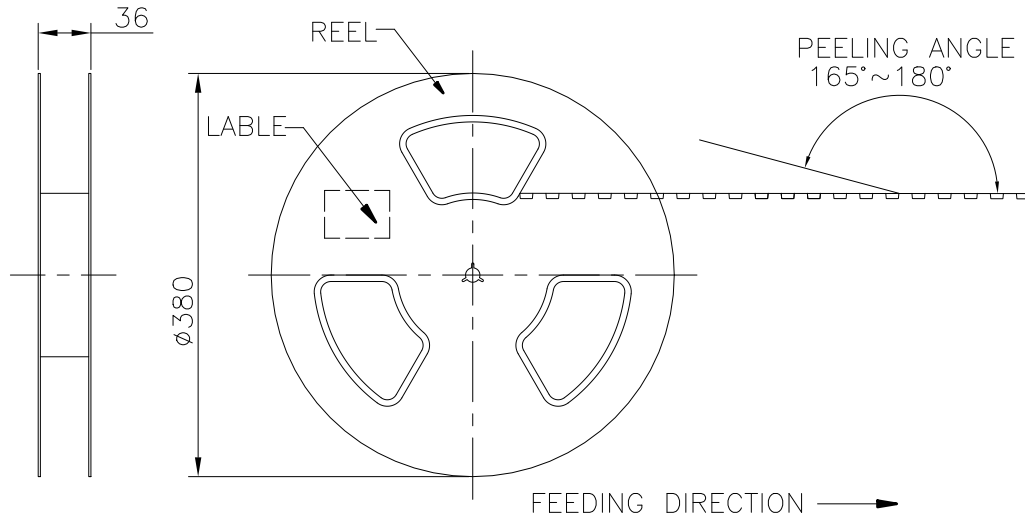
DEREN
SHENZHEN DEREN ELECTRONIC CO., LTD

DRAW NO.	DESIGN:	TY	DATE	TITLE: NGFF 4.0H GEN4 KEY A
SC23XXXX	CHECK:	Sid Guo	2023.11.18	P/N: 562137-00XH011X
REV. A	APPROVAL:	Mike Chen	2023.11.18	SHEET: 4/6
		Bill Lin	2023.11.18	SCALE: N/A UNIT: mm

HF

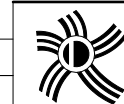
Halogen Free

EMBOSS WIDTH 32mm, SLOT BACKWARD FOR 562137-00XH0112



1100	6	6600
PCS/TAPE	REELS/BOX	PCS/BOX

DIM	TOL	DIM	TOL
x.	±0.30	x.	±2°
.x	±0.25	.x	±1°
.xx	±0.15		

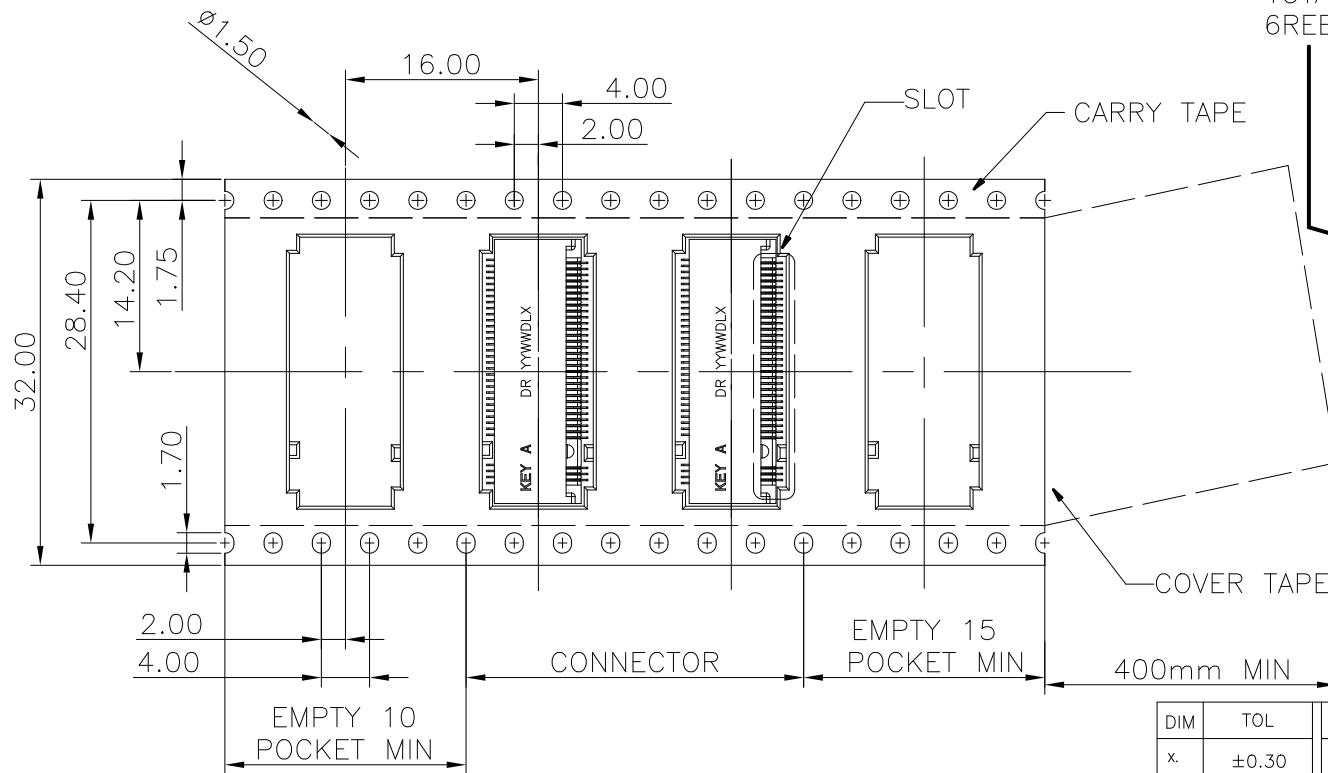
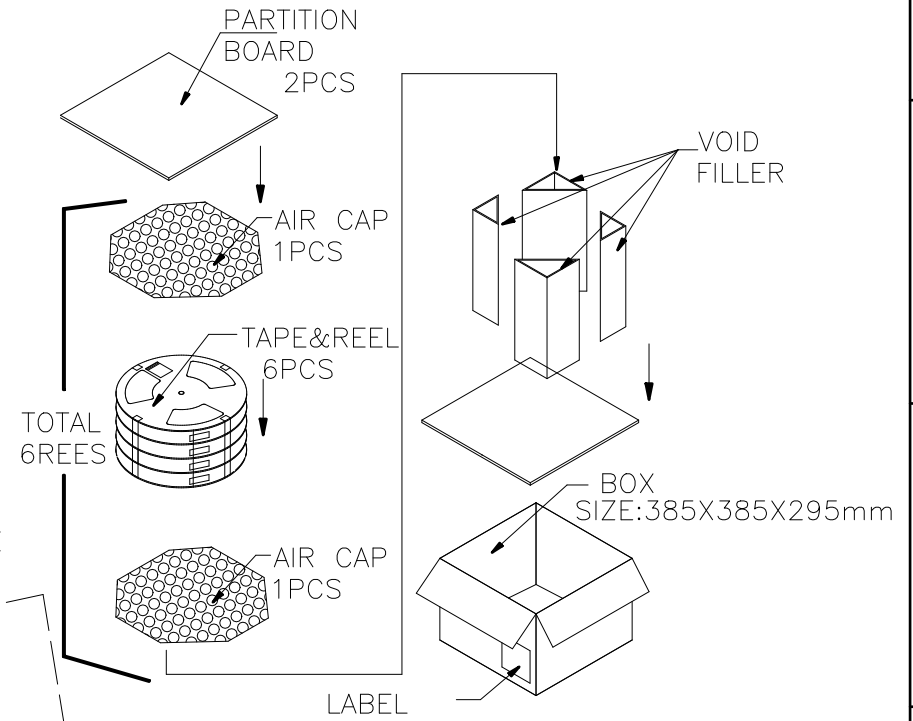
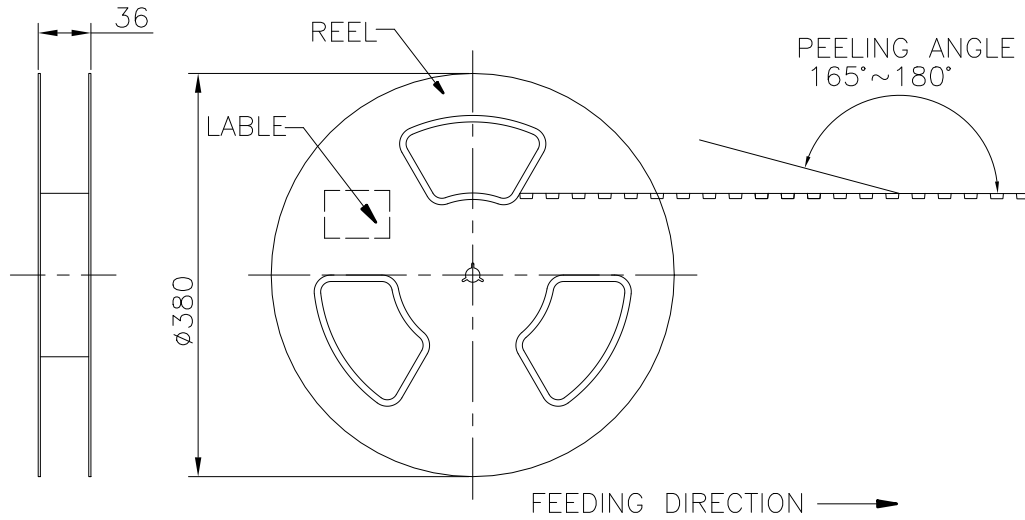


DEREN
SHENZHEN DEREN ELECTRONIC CO., LTD

DRAW NO.	DESIGN:	TY	DATE	TITLE: NGFF 4.0H GEN4 KEY A
SC23XXXX	CHECK:	Sid Guo	2023.11.18	P/N: 562137-00XH011X
REV. A	APPROVAL:	Mike Chen	2023.11.18	SHEET: 5/6
		Bill Lin	2023.11.18	SCALE: N/A UNIT: mm

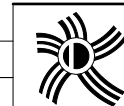
HF
Halogen Free

EMBOSS WIDTH 32mm, SLOT FORWARD FOR 562137-00XH0111



1100	6	6600
PCS/ TAPE	REELS/ BOX	PCS/BOX

DIM	TOL	DIM	TOL
x.	±0.30	x.	±2°
.x	±0.25	.x	±1°
.xx	±0.15		



DEREN
SHENZHEN DEREN ELECTRONIC CO., LTD

DRAW NO.	DESIGN:	TY	DATE	TITLE: NGFF 4.0H GEN4 KEY A
SC23XXXX	CHECK:	Sid Guo	2023.11.18	P/N: 562137-00XH011X
REV. A	APPROVAL:	Mike Chen	2023.11.18	SHEET: 6/6
		Bill Lin	2023.11.18	SCALE: N/A UNIT: mm