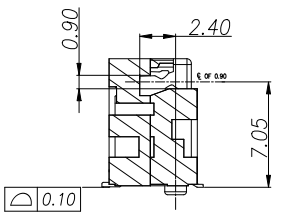
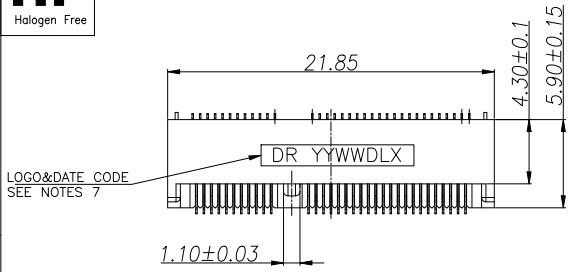


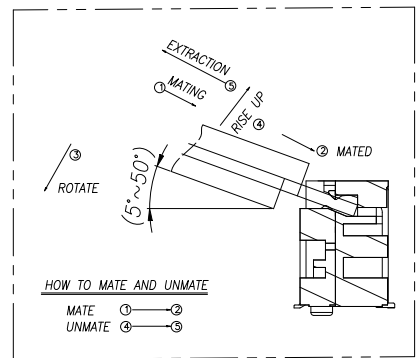
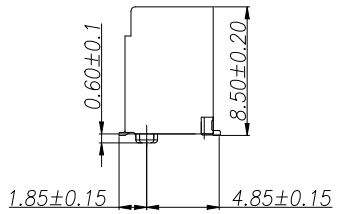
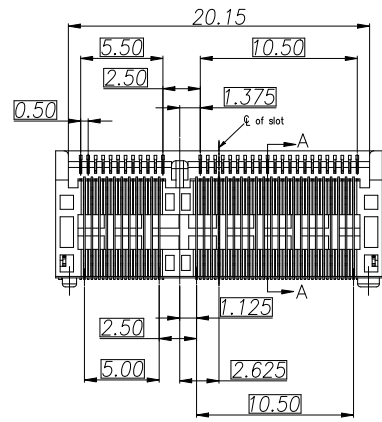
| REV. | ECN NO. | LOCATION | DESCRIPTION | DATE | DESIGN |
|------|---------|----------|-----------------|------------|---------|
| A | | | INITIAL RELEASE | 2023.11.08 | Sid Guo |
| B | | | MODIFY | 2023.12.21 | Sid Guo |
| C | | | MODIFY | 2024.07.08 | Sid Guo |

A
B
C
D
E



NOTES:
PRODUCT MUST MEETS CONTROLLED SUBSTANCES SPEC. ROHS 2.0 AND MEET DEREN CONTROLLED SUBSTANCES SPEC PER WI-PB-S-010

- MATERIAL:
 - HOUSING: LCP , UL94V-0; COLOR: SEE NOTES10.
 - CONTACTS: PHOSPHOR BRONZE
 - FLOATING PEG: STAINLESS STEEL
- FINISH:
 - CONTACT: GOLD(SEE PART NOTE 10) PLATED ON CONTACT AREA AND GOLD 1u". SOLDER AREA. 50u" MIN. NICKEL UNDERPLATING.
 - FLOATING PEG: 80u" MIN. MATTE-TIN. 50u"MIN. NICKEL UNDERPLATING.
- REFLOW SOLDER CAPABLE TO 260°C 10SEC.
- ELECTRICAL CHARACTERISTICS:
 - CONTACT CURRENT RATING: 0.5 AMPERE MAX, PER PIN,
 - VOLTAGE RATING: 50V AC.
 - INSULATION RESISTANCE: 500M OHM MIN.(INITIAL), 100M OHM MIN.(FINAL), AT 500V DC,
 - DIELECTRIC WITHSTANDING VOLTAGE: 300V AC RMS AT 60HZ, FOR 1 MINUTE.
 - CONTACT RESISTANCE: 55m OHM MAX(INITIAL) ΔR 10m OHM MAX(FINAL)
- OPERATION TEMPERATURE: -40°C TO +80°C
- MATING FORCE: 2.04Kgf MAX. EXTRACTION FORCE: 0.1Kgf MIN. DURABILITY: 60 CYCLES
- LOGO&DATE CODE :
 - LOGO: DR OR DEREN
 - DATECODE: YYWWDLX
 - YY: YEAR (09: 2009)
 - WW: WEEK (25: THE 25TH WEEK)
 - D: DAY (1~7: SUNDAY~SATURDAY)
 - L: LINE NUMBER OF ASSEMBLY (A: LINE A)
 - X: MANUFACTURE CODE
- CONNECTOR ACTUAL PIN QUANTITY IS 67,AS THE KEY TAKING OUT 8 PINS.
- RECOMMENDED STENCIL THICKNESS 0.12MM MIN
- PART NUMBER DESCRIPTION: 5621D3-023HX411X



5621D3-023HX411X

PACKING CODE:
R: EMBOSS WIDTH 44mm,SLOT FORWARD
1: EMBOSS WIDTH 44mm,SLOT BACKWARD
2: EMBOSS WIDTH 32mm,SLOT FORWARD
3: EMBOSS WIDTH 32mm,SLOT BACKWARD

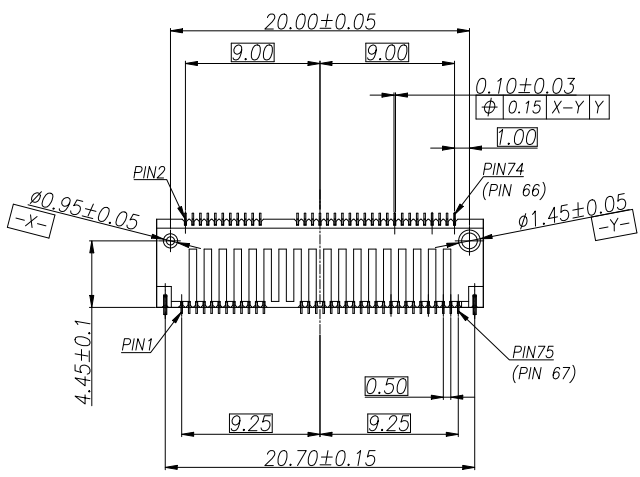
Logo:
0: No Logo
1: DR Logo

Color:
1: Black
2: White

KEY TYPE:
4: KEY E

PLATING CODE: 1: Au1u" 2: Au5u"
3: Au10u" 4: 15u"
5: Au30u"

HALOGEN CODE:
H: HALOGEN FREE

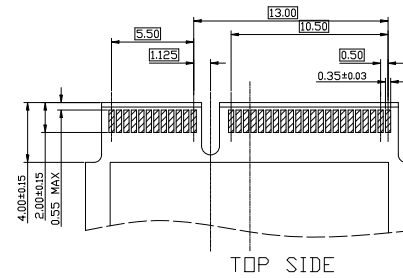
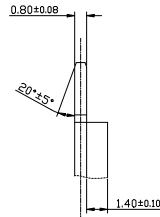
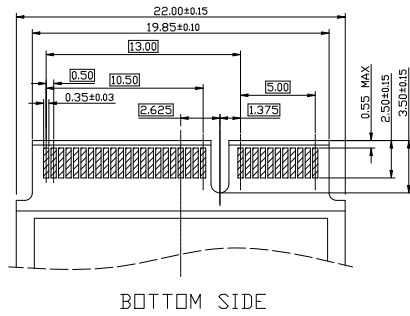


DEREN
SHENZHEN DEREN ELECTRONIC CO., LTD

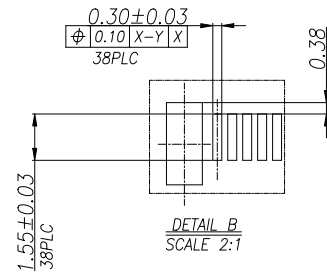
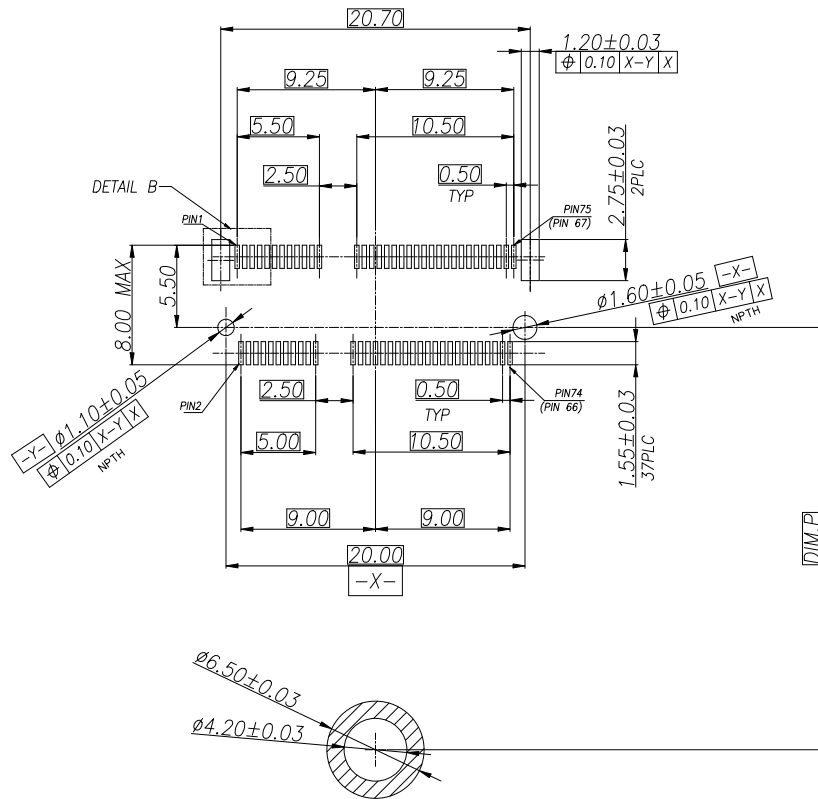
| DIM | TOL | DIM | TOL |
|------|-------|-----|-----|
| x. | ±0.25 | x. | ±2° |
| .x | ±0.20 | .x | ±1° |
| .xx | ±0.15 | | |
| .xxx | ±0.10 | | |

| | | | |
|-------------|-----------|------------|-------------------------------------|
| DRAW NO. | DESIGN: | DATE | TITLE: |
| SC2208367-3 | Sid Guo | 2024.07.08 | NGFF 8.5H GEN4 (DR LOGO) KEY E ASSY |
| REV. C | CHECK: | DATE | P/N: |
| | Mike Chen | 2024.07.08 | 5621D3-023HX411X |
| APPROVAL: | Bill Lin | 2024.07.08 | SHEET: 1/6 |
| | | | SCALE: N/A UNIT: mm |

PLUG PCB



RECOMMENDED PCB LAYOUT(TOP VIEW)



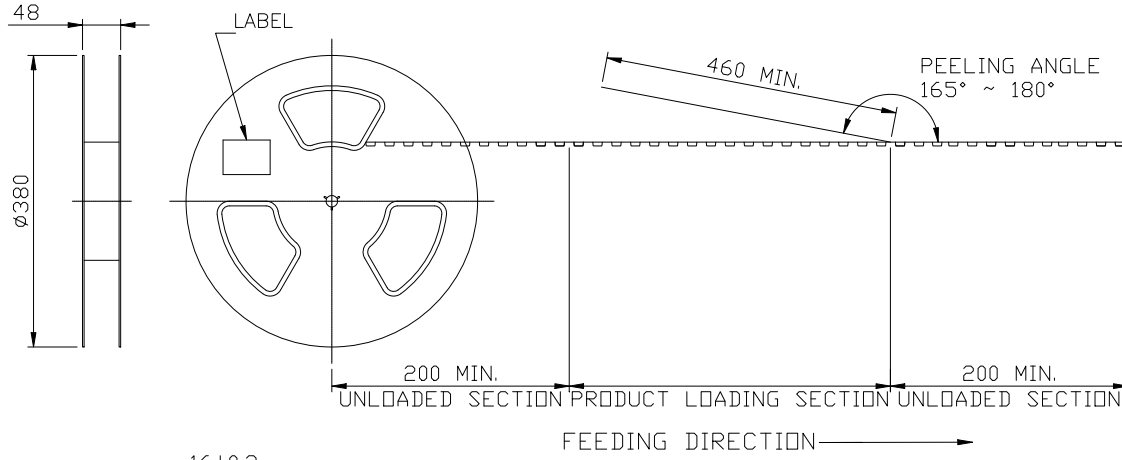
| | |
|-------------|--------|
| 22110 | 107.60 |
| 2280 | 77.60 |
| 2260 | 57.60 |
| 2242 | 39.60 |
| 2230 | 27.60 |
| 3042 | 39.60 |
| 3030 | 27.60 |
| MODULE TYPE | DIM.P |

| DIM | TOL | DIM | TOL |
|-----|-------|-----|-----|
| x. | ±0.20 | x. | ±2° |
| .x | ±0.10 | .x | ±1° |
| .xx | ±0.05 | | |

DEREN
SHENZHEN DEREN ELECTRONIC CO., LTD

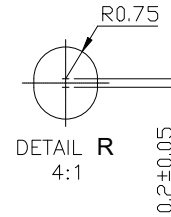
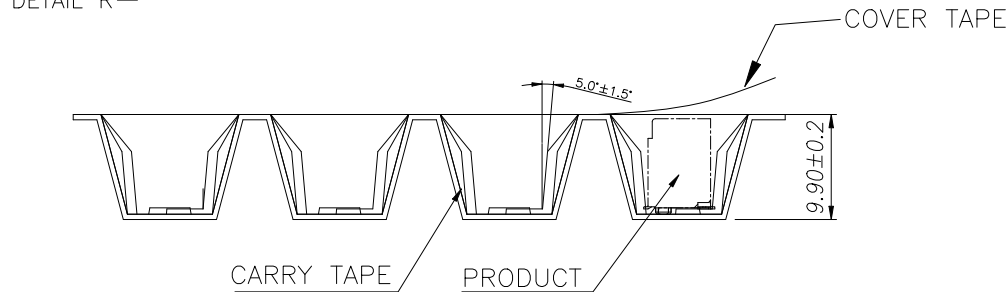
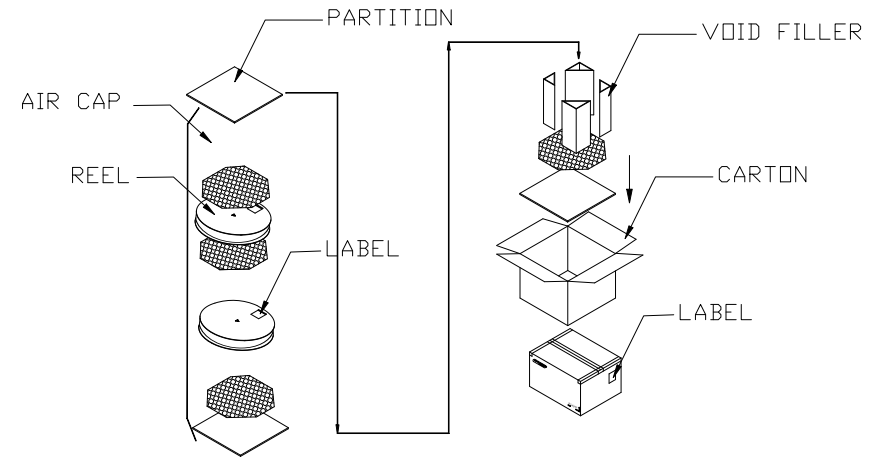
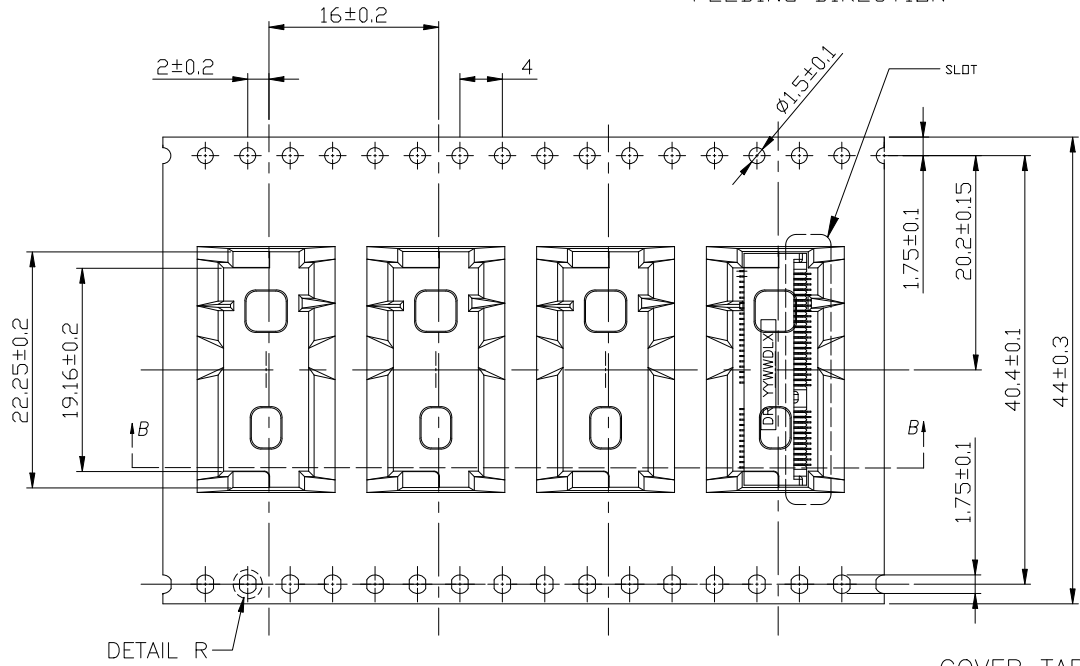
| | | | |
|-----------|-----------|------------|--|
| C-DWG: | TY | DATE | TITLE: NGFF 8.5H GEN4 (DR LOGO) KEY E ASSY |
| DESIGN: | Sid Guo | 2024.07.08 | P/N: 5621D3-023HX411X |
| CHECK: | Mike Chen | 2024.07.08 | SHEET: 2/6 |
| APPROVAL: | Bill Lin | 2024.07.08 | SCALE: N/A UNIT: mm |

| | |
|----------|-------------|
| DRAW NO. | SC2208367-3 |
| REV. | C |



NOTES :

- MATERIAL :
COVER TAPE : ANTISTATIC PET T=0.05±0.01 ,COLOR:CLEAR
CARRIER TAPE : ANTISTATIC PET T=0.40±0.10,COLOR:CLEAR
REEL : PS UL94V-0
CARTON: CORRUGATED FIBER
- DIMENSION :
REEL : SEE DRAWING
SHIPPING BOX: 385X385X295mm
- QUANTITY : SEE TABLE
- PEELING RESISTANCE : 10gf~130gf (for 12~56mm)
- PEELING SPEED : 300mm/MINUTES



| | | |
|--------------|-----------------|----------------|
| 500 | 5 | 2500 |
| PCS/ REEL | REEL/ CARTON | PCS/ CARTON |

| DIM | TOL | DIM | TOL |
|------|-------|-----|-----|
| x | ±0.30 | x | ±2° |
| .x | ±0.25 | .x | ±1° |
| .xx | ±0.20 | | |
| .xxx | ±0.15 | | |

DEREN
SHENZHEN DEREN ELECTRONIC CO., LTD

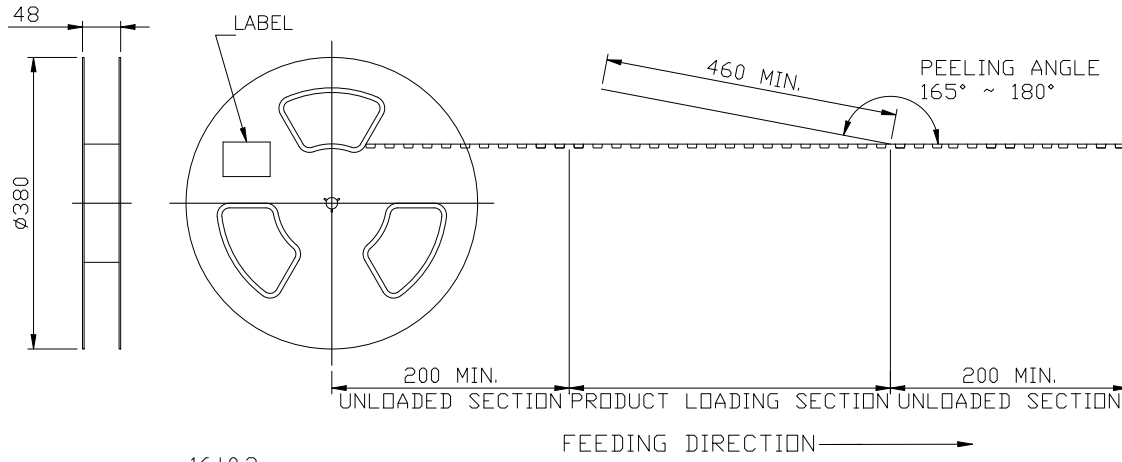
| | | | |
|-----------|-----------|------------|---|
| C-DWG: | TY | DATE | TITLE: NGFF 8.5H GEN4 (DR LOGO) KEY E ASSY |
| DESIGN: | Sid Guo | 2024.07.08 | P/N: 5621D3-023HX411X |
| CHECK: | Mike Chen | 2024.07.08 | |
| APPROVAL: | Bill Lin | 2024.07.08 | SHEET: 3/6 |
| REV. C | | | SCALE: N/A UNIT: mm |

DRAW NO. SC2208367-3

DESIGN: Sid Guo
CHECK: Mike Chen
APPROVAL: Bill Lin

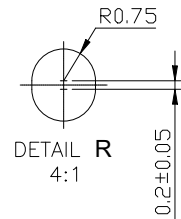
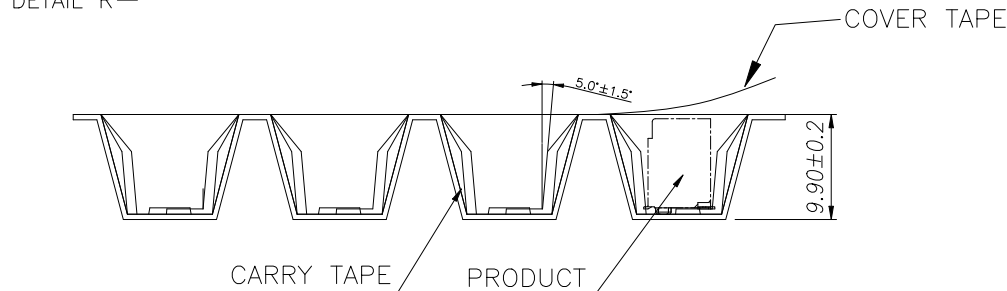
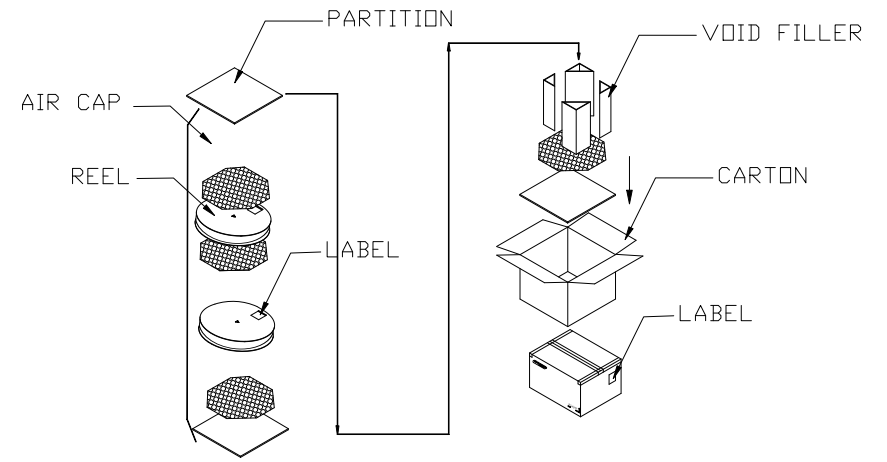
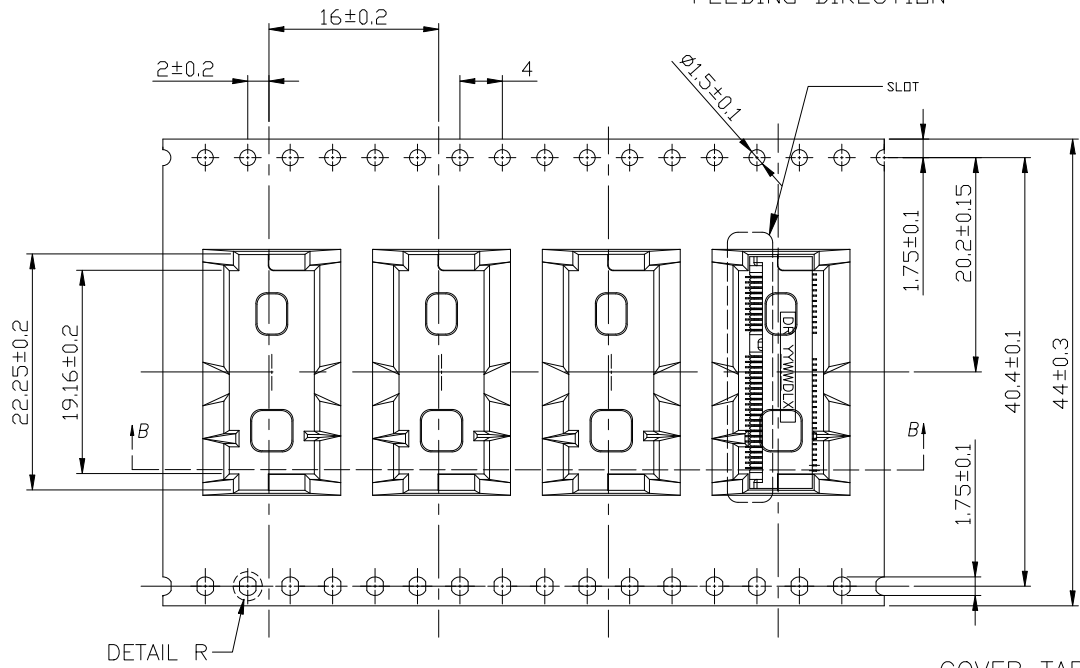
DATE: 2024.07.08
DATE: 2024.07.08
DATE: 2024.07.08

SHEET: 3/6
SCALE: N/A UNIT: mm



NOTES :

- MATERIAL :
COVER TAPE : ANTISTATIC PET T=0.05±0.01 ,COLOR:CLEAR
CARRIER TAPE : ANTISTATIC PET T=0.40±0.10,COLOR:CLEAR
REEL : PS UL94V-0
CARTON: CORRUGATED FIBER
- DIMENSION :
REEL : SEE DRAWING
SHIPPING BOX: 385X385X295mm
- QUANTITY : SEE TABLE
- PEELING RESISTANCE : 10gf~130gf (for 12~56mm)
- PEELING SPEED : 300mm/MINUTES



| | | |
|--------------|-----------------|----------------|
| 500 | 5 | 2500 |
| PCS/ REEL | REEL/ CARTON | PCS/ CARTON |

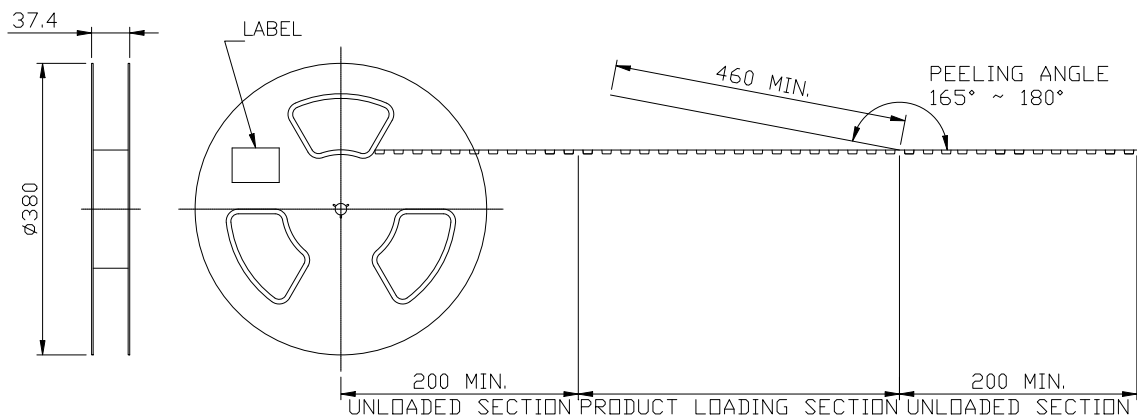
DEREN
SHENZHEN DEREN ELECTRONIC CO., LTD

| | | | |
|-----------|-----------|------------|---------------------------------|
| C-DWG: | TY | DATE | TITLE: NGFF 8.5H GEN4 (DR LOGO) |
| DESIGN: | Sid Guo | 2024.07.08 | P/N: 5621D3-023HX411X |
| CHECK: | Mike Chen | 2024.07.08 | SHEET: 4/6 |
| APPROVAL: | Bill Lin | 2024.07.08 | SCALE: N/A UNIT: mm |

| DIM | TOL | DIM | TOL |
|------|-------|-----|-----|
| x | ±0.30 | x | ±2° |
| .x | ±0.25 | .x | ±1° |
| .xx | ±0.20 | | |
| .xxx | ±0.15 | | |

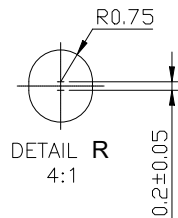
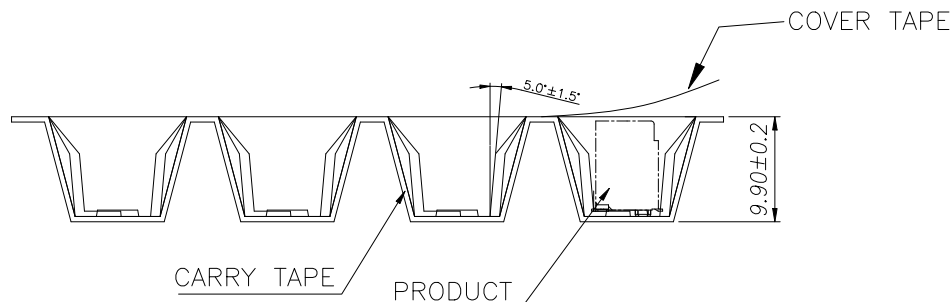
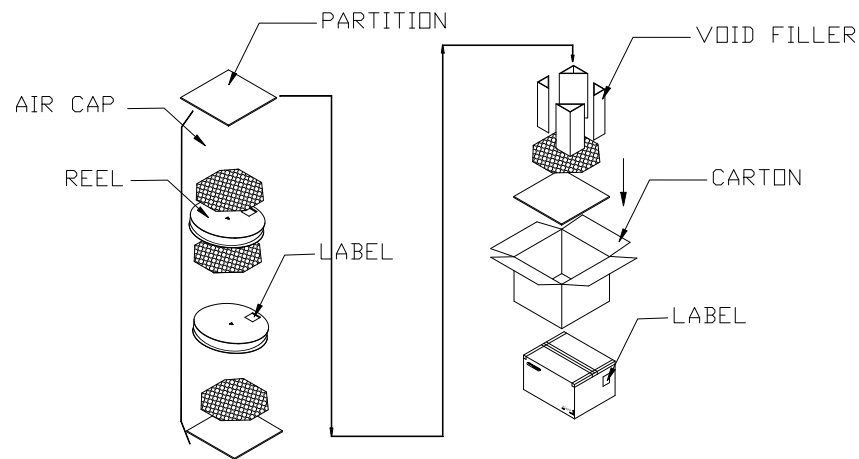
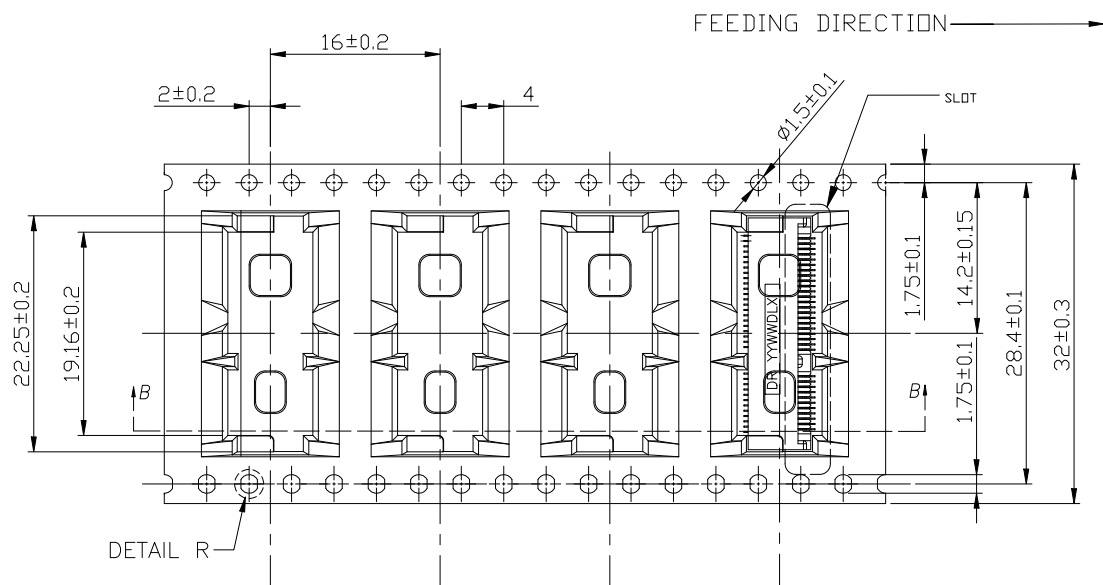
| | |
|----------|-------------|
| DRAW NO. | SC2208367-3 |
| REV. | C |

5621D3-023HX4112 EMOSS WIDTH 32mm,SLOT FORWARD



NOTES :

- MATERIAL :
COVER TAPE : ANTISTATIC P.S T=0.05±0.01 ,COLOR:CLEAR
CARRIER TAPE : ANTISTATIC PET T=0.40±0.10,COLOR:CLEAR
REEL : PS UL94V-0
CARTON: CORRUGATED FIBER
- DIMENSION :
REEL : SEE DRAWING
SHIPPING BOX: 385X385X295mm
- QUANTITY : SEE TABLE
- PEELING RESISTANCE : 10gf~130gf (for 12~56mm)
- PEELING SPEED : 300mm/MINUTES



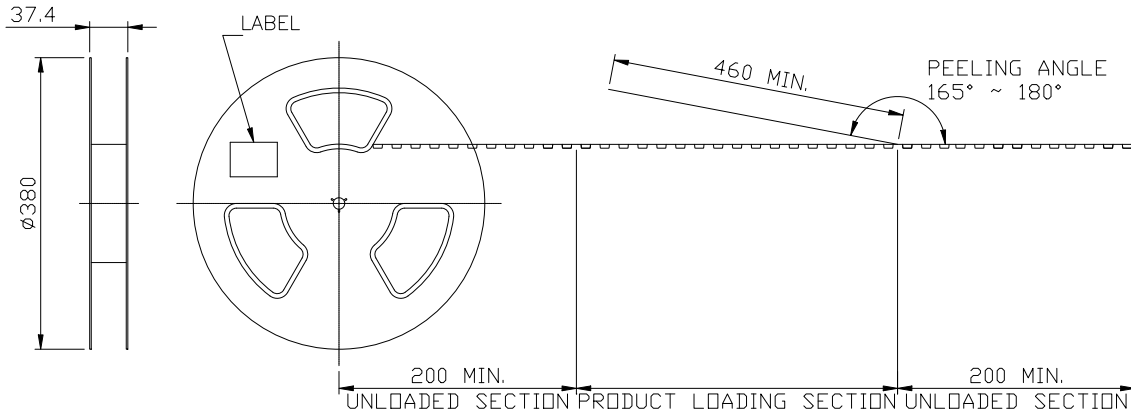
| | | |
|--------------|-----------------|----------------|
| 500 | 6 | 3000 |
| PCS/ REEL | REEL/ CARTON | PCS/ CARTON |

| DIM | TOL | DIM | TOL |
|-----|-------|-----|-----|
| x | ±0.30 | x | ±2* |
| .x | ±0.25 | x | ±1* |
| .xx | ±0.20 | | |
| | ±0.15 | | |

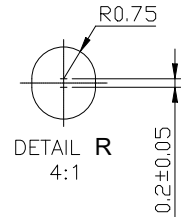
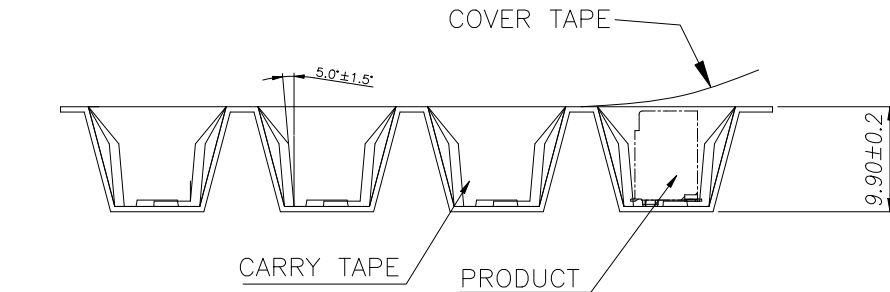
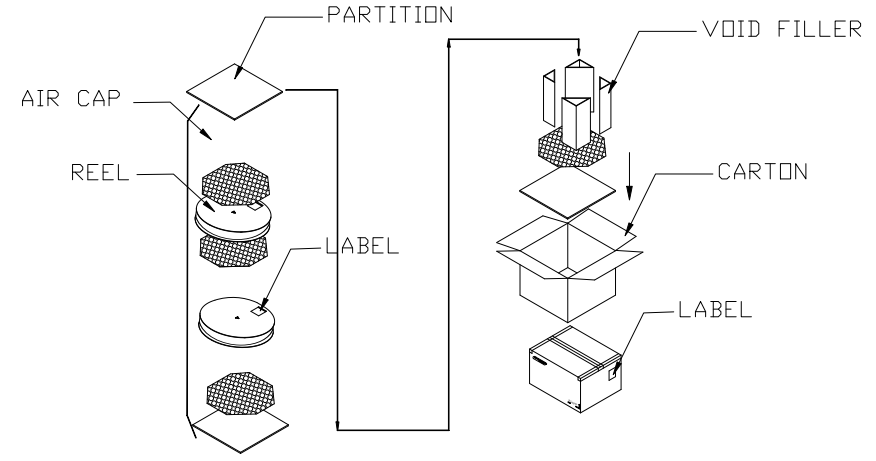
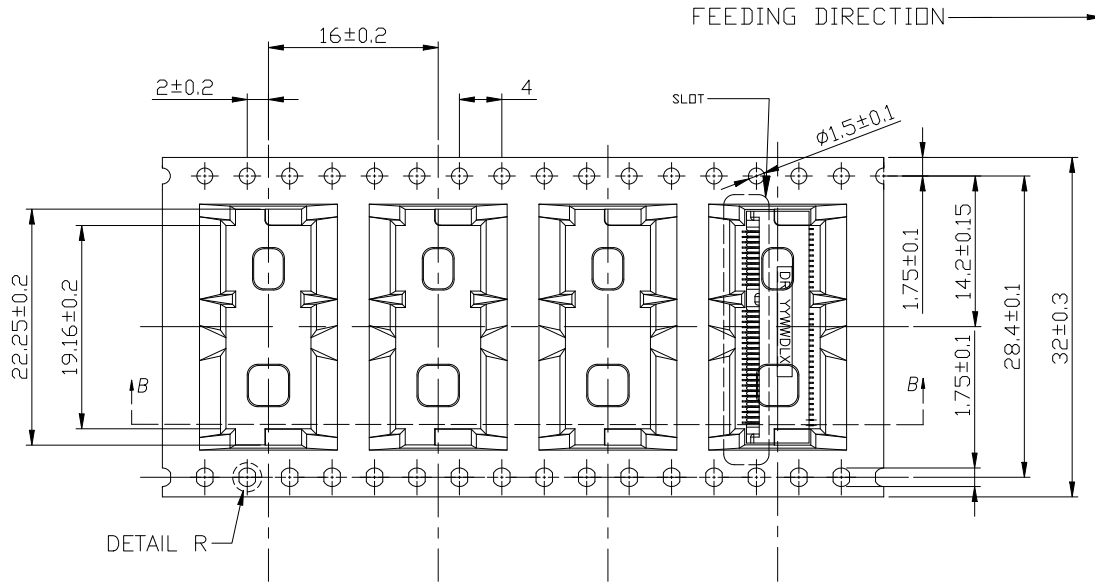
| | | | |
|--|--|-----------|-----------------------|
| | DEREN SHENZHEN DEREN ELECTRONIC CO., LTD | | |
| | C-DWG: | TY | DATE |
| DRAW NO. | DESIGN: | Sid Guo | 2024.07.08 |
| SC2208367-3 | CHECK: | Mike Chen | 2024.07.08 |
| REV. C | APPROVAL: | Bill Lin | 2024.07.08 |
| TITLE: NGFF 8.5H GEN4 (DR LOGO) KEY E ASSY | | | P/N: 5621D3-023HX411X |
| SHEET: 5/6 | | | SCALE: N/A UNIT: mm |



5621D3-023HX4113 EMOSS WIDTH 32mm,SLOT BACKWARD



- NOTES :
- MATERIAL :
 COVER TAPE : ANTISTATIC P.S T=0.05±0.01 ,COLOR:CLEAR
 CARRIER TAPE : ANTISTATIC PET T=0.40±0.10,COLOR:CLEAR
 REEL : PS UL94V-0
 CARTON: CORRUGATED FIBER
 - DIMENSION :
 REEL : SEE DRAWING
 SHIPPING BOX: 385X385X295mm
 - QUANTITY : SEE TABLE
 - PEELING RESISTANCE : 10gf~130gf (for 12~56mm)
 - PEELING SPEED : 300mm/MINUTES



| | | |
|--------------|-----------------|----------------|
| 500 | 6 | 3000 |
| PCS/ REEL | REEL/ CARTON | PCS/ CARTON |

| DIM | TOL | DIM | TOL |
|-----|-------|-----|-----|
| x | ±0.30 | x | ±2° |
| .x | ±0.25 | x | ±1° |
| .xx | ±0.20 | | |
| | ±0.15 | | |

| | | | |
|--|--|-----------------------|------------|
| | DEREN SHENZHEN DEREN ELECTRONIC CO., LTD | | |
| | C-DWG: | TY | DATE |
| | DESIGN: | Sid Guo | 2024.07.08 |
| DRAW NO. | SC2208367-3 | CHECK: | Mike Chen |
| REV. | C | APPROVAL: | Bill Lin |
| | | | 2024.07.08 |
| TITLE: NGFF 8.5H GEN4 (DR LOGO) KEY E ASSY | | P/N: 5621D3-023HX411X | |
| SHEET: 6/6 | | SCALE: N/A UNIT: mm | |