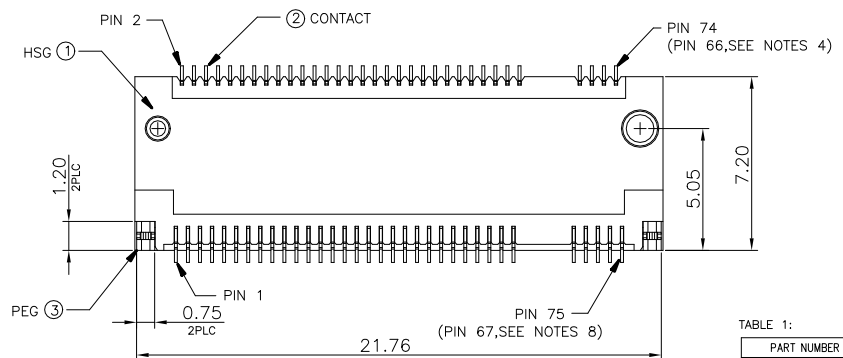
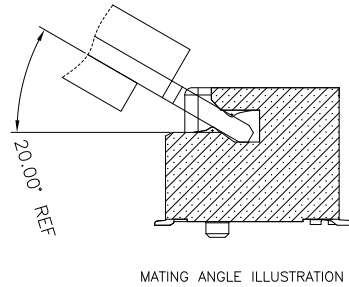
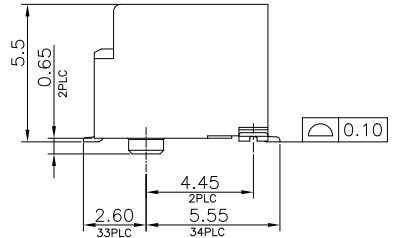
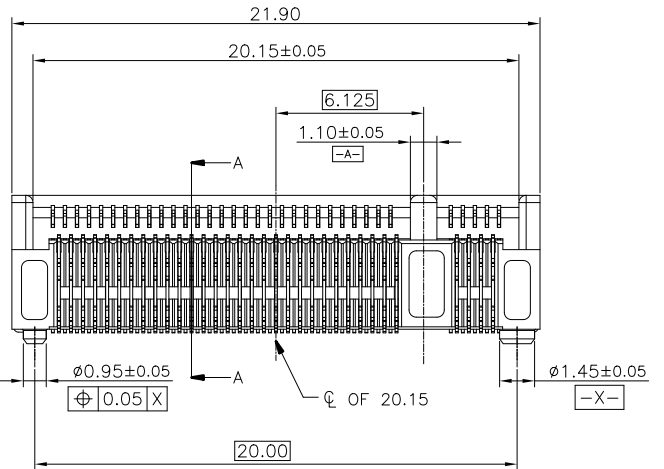
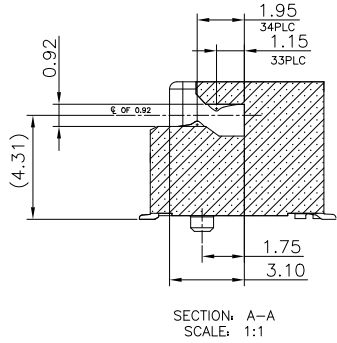
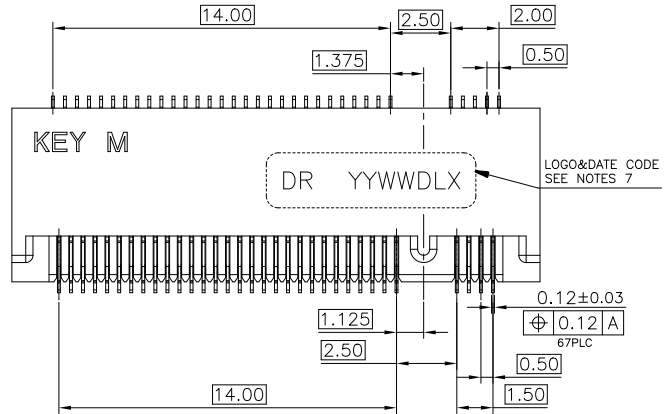


HF

Halogen Free

REV.	ECN NO.	LOCATION	DESCRIPTION	DATE	DESIGN
A			INITIAL RELEASE	2023.11.27	Sid Guo



- NOTES:
PRODUCT MUST MEET CONTROLLED SUBSTANCES SPEC. ROHS 2.0
- MATERIAL:
 - HOUSING: LCP , UL94V-0; COLOR: BLACK
 - CONTACTS: PHOSPHOR BRONZE
 - FLOATING PEG: STAINLESS STEEL
 - FINISH:
 - CONTACT: GOLD(SEE NOTE 9) PLATED ON CONTACT AREA AND GOLD FLASH" SOLDER AREA. 50u" MIN. NICKEL UNDERPLATING.
 - FLOATING PEG: 80u" MIN. MATTE-TIN. 50u"MIN. NICKEL UNDERPLATING.
 - REFLOW SOLDER CAPABLE TO 260°C 10SEC.
 - ELECTRICAL CHARACTERISTICS:
 - CONTACT CURRENT RATING: 0.5 AMPERE MAX, PER PIN,
 - VOLTAGE RATING: 50V AC.
 - INSULATION RESISTANCE: 500M OHM MIN.(INITIAL), 100M OHM MIN.(FINAL), AT 500V DC, 1 MINUTE.
 - DIELECTRIC WITHSTANDING VOLTAGE: 300V AC RMS AT 60HZ, FOR 1 MINUTE.
 - CONTACT RESISTANCE: 55m OHM MAX(INITIAL) ΔR 20m OHM MAX(FINAL)
 - OPERATION TEMPERATURE: -40°C TO +80°C
 - MATING FORCE: 2.04Kgf MAX.
EXTRACTION FORCE: 0.1Kgf MIN.
DURABILITY: 60 CYCLES
 - LOGO&DATE CODE:
LOGO: DR OR DERERN.
DATE CODE:
YYWDLX
YY: YEAR (09: 2009)
WW: WEEK (25: THE 25TH WEEK)
D: DAY (1~7: SUNDAY~SATURDAY)
L: LINE NUMBER OF ASSEMBLY (A: LINE A)
X: MANUFACTURE CODE
 - RECOMMENDED STENCIL THICKNESS:0.12MM.
 - CONNECTOR ACTUAL PIN QUANTITY IS 67,AS THE KEY TAKING OUT 8 PINS.
5621D3-030 H X B 1 1 R

- PACKING CODE:
R: EMBOSS WIDTHE 44mm, SLOT BACKWARD
- Logo:
0:No Logo
1:DR Logo
- Color:
1:Black
2:White
- KEY TYPE:
B: KEY M
- PLATING CODE:
1: GF 2: Au5u"
3: Au10u" 4: 15u"
5: Au30u"
- HALOGEN CODE:
H:HALOGEN FREE

TABLE 1:

PART NUMBER	DESCRIPTION
5621D3-030H1B11R	Au 6/F ON CONTACT AREA
5621D3-030H2B11R	Au 5u" ON CONTACT AREA
5621D3-030H3B11R	Au 10u" ON CONTACT AREA
5621D3-030H4B11R	Au 15u" ON CONTACT AREA
5621D3-030H5B11R	Au 30u" ON CONTACT AREA

DIM	TOL	DIM	TOL
X.	±0.30	X.	±2*
.X	±0.25	.X	±1*
.XX	±0.15		



DEREN
SHENZHEN DEREN ELECTRONIC CO., LTD

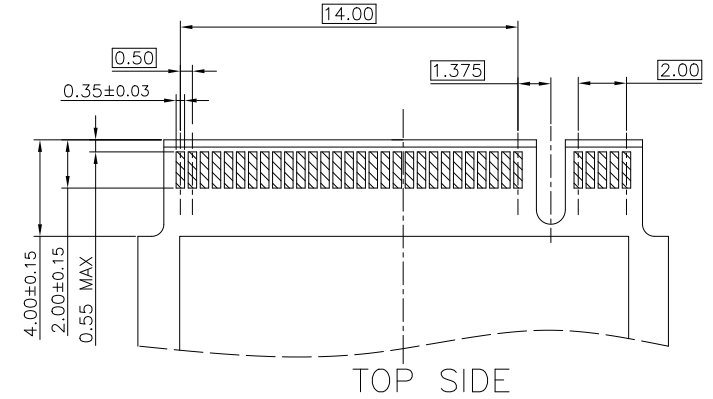
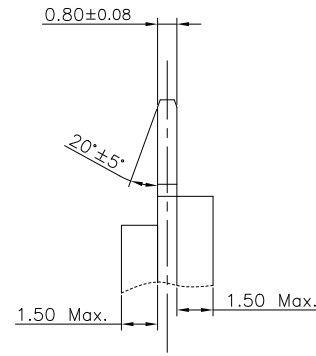
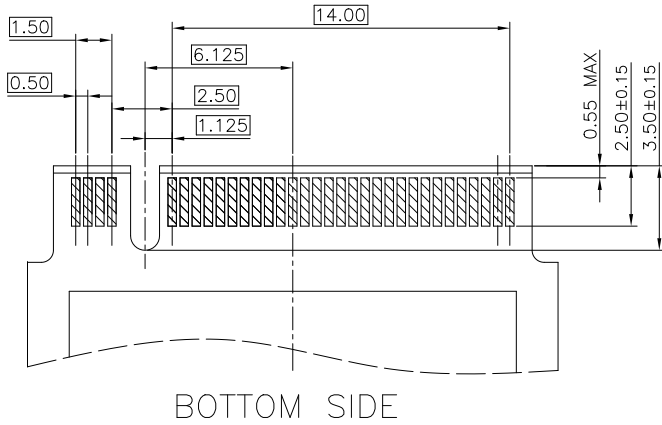
C-DWG:	TY	DATE	TITLE:NGFF 5.50H KEY M GEN4 DR Logo
DESIGN:	Sid Guo	2023.11.27	P/N: SEE TABLE 1
CHECK:	Mike chen	2023.11.27	SHEET: 1/3
APPROVAL:	Bill Lin	2023.11.27	SCALE: N/A UNIT: mm

DRAW NO. SC2309652-3

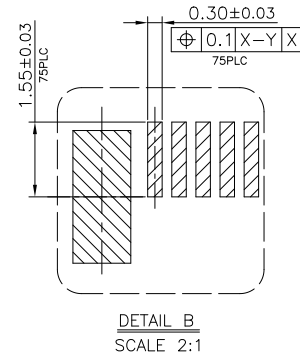
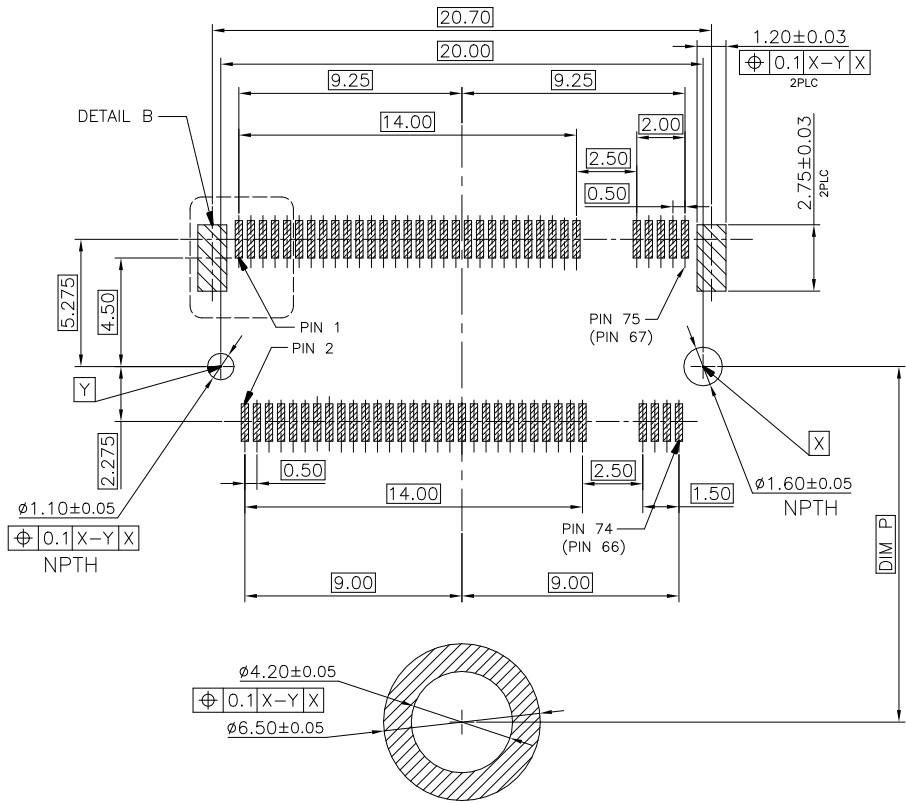
HF

Halogen Free

PLUG PCB



RECOMMENDED PCB LAYOUT(TOP VIEW)



22110	108.25
2280	78.25
2260	58.25
2242	40.25
2230	28.25
3042	40.25
3030	28.25
MODULE TYPE	DIM P

DIM	TOL	DIM	TOL
x.	±0.20	x.	±2°
.x	±0.10	.x	±1°
.xx	±0.05		



DEREN
SHENZHEN DEREN ELECTRONIC CO., LTD

DRAW NO.
SC2309652-3

DESIGN: Sid Guo
CHECK: Mike chen

APPROVAL: Bill Lin

TITLE:NGFF 5.50H KEY M GEN4 DR Logo

P/N: SEE TABLE 1

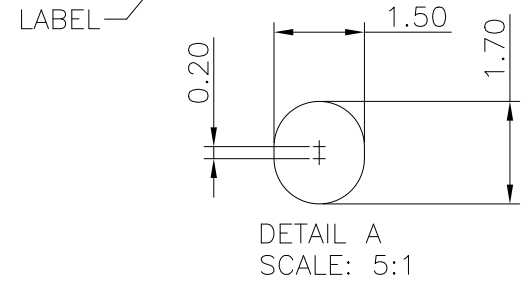
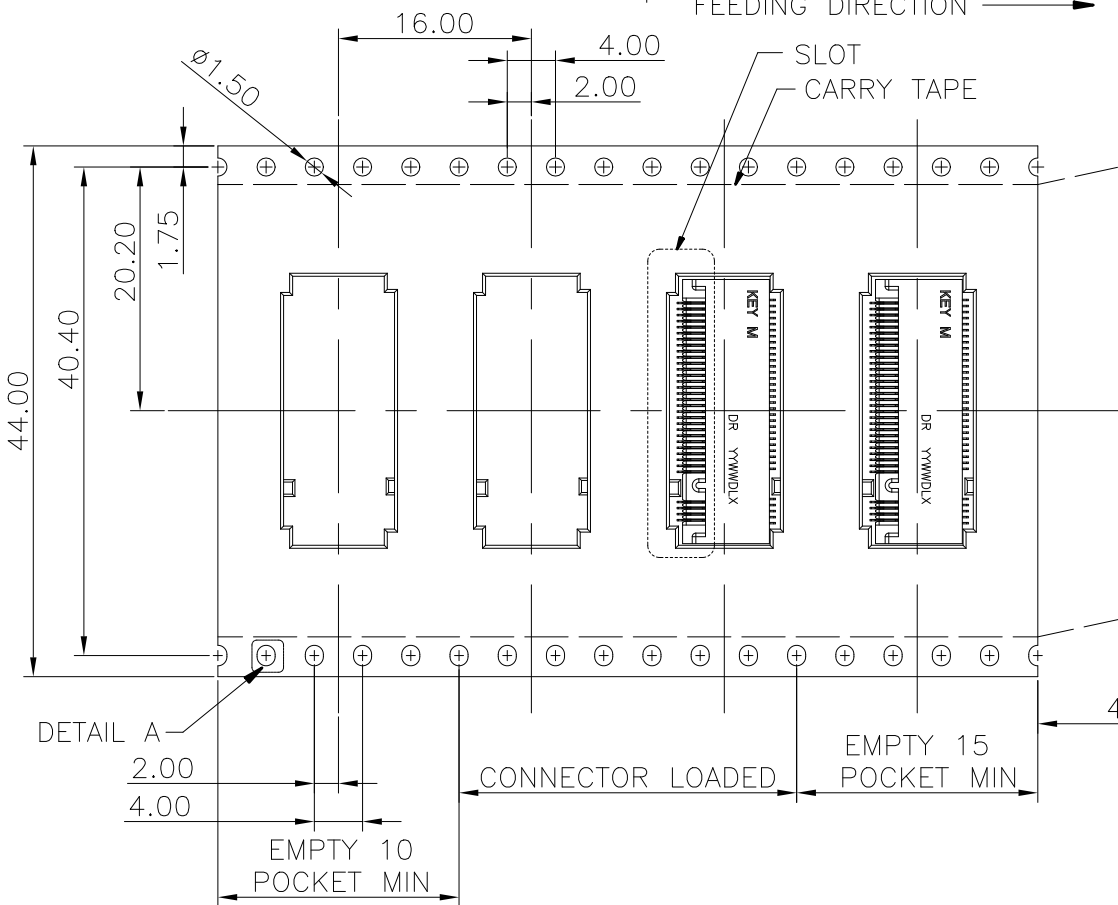
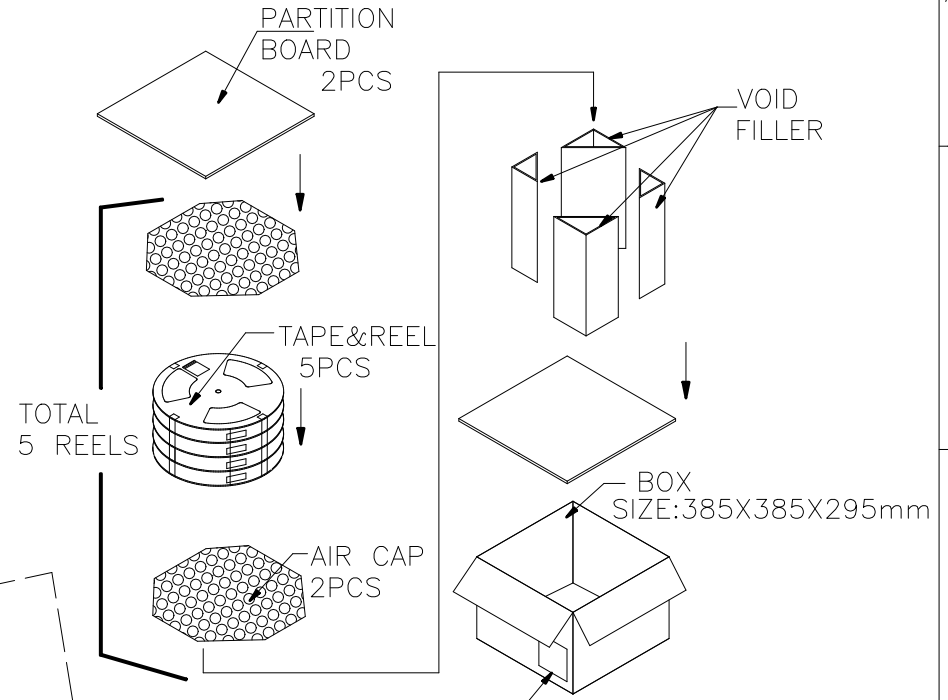
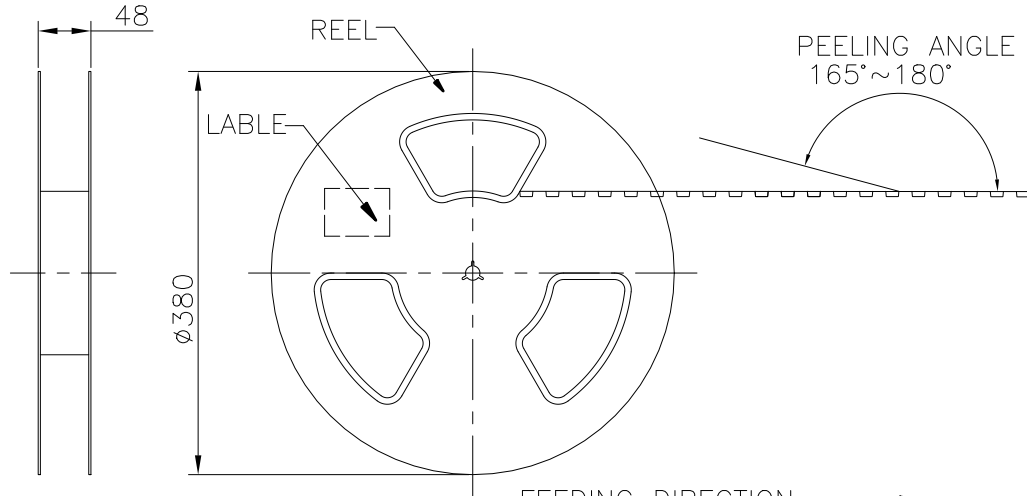
SHEET: 2/3

SCALE: N/A UNIT: mm

HF

Halogen Free

EMBOSS WIDTH 44mm, SLOT BACKWARD



900	5	4500
PCS/REEL	REELS/BOX	PCS/BOX

DIM	TOL	DIM	TOL
x	±0.30	x	±2*
.x	±0.20	.x	±1*
.xx	±0.15		



DEREN SHENZHEN DEREN ELECTRONIC CO., LTD			
C-DWG:	TY	DATE	TITLE:NGFF 5.50H KEY M GEN4 DR Logo
DESIGN:	Sid Guo	2023.11.27	P/N: SEE TABLE 1
CHECK:	Mike chen	2023.11.27	SHEET: 3/3
APPROVAL:	Bill Lin	2023.11.27	SCALE: N/A UNIT: mm

DRAW NO. SC2309652-3

REV. A