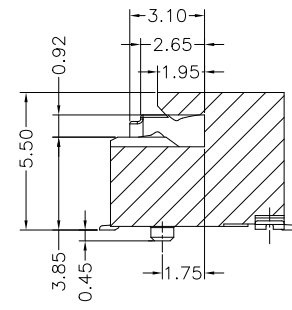
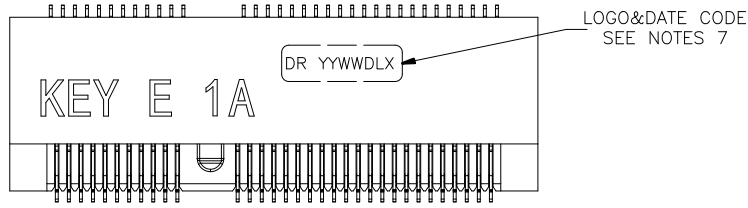


# HF

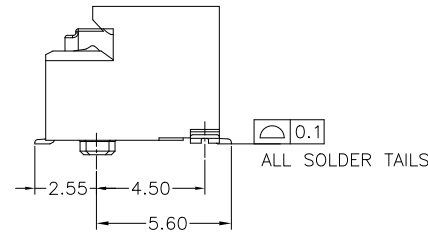
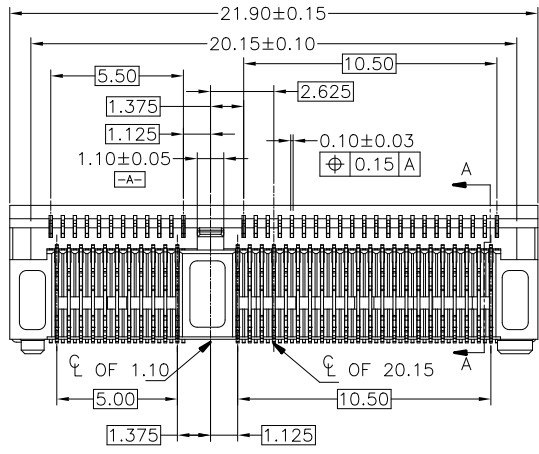
Halogen Free

REV.	ECN NO.	LOCATION	DESCRIPTION	DATE	DESIGN
X1			INITIAL RELEASE	2023.11.27	Sid Guo



SECTION A-A  
SCALE 1:1

- NOTES:  
PRODUCT MUST MEET CONTROLLED SUBSTANCES SPEC. ROHS 2.0
- MATERIAL:
    - HOUSING: LCP , UL94V-0; COLOR: BLACK
    - CONTACTS: COPPER ALLOY
    - FLOATING PEG: STAINLESS STEEL
  - FINISH:
    - CONTACT:
      - CONTACT: 50u" MIN NICKEL UNDERPLATED ALL OVER, Au GF PLATING ON SOLDERTAIL. GOLD PLATING (THICKNESS SEE NOTE 10) ON CONTACT AREA.
    - FLOATING PEG:
      - 100u" MIN. MATTE-TIN. 50u"MIN. NICKEL UNDERPLATING.
  - REFLOW SOLDER CAPABLE TO 260°C 10SEC.
  - ELECTRICAL CHARACTERISTICS:
    - CONTACT CURRENT RATING: 1.0 AMPERE MAX, PER PIN,
    - VOLTAGE RATING: 50V AC.
    - INSULATION RESISTANCE: 500M OHM MIN.(INITIAL), 100M OHM MIN.(FINAL), AT 500V DC, FOR 1 MINUTE.
    - DIELECTRIC WITHSTANDING VOLTAGE: 300V AC RMS AT 60HZ, FOR 1 MINUTE.
    - CONTACT RESISTANCE: 55m OHM MAX(INITIAL) ΔR 20m OHM MAX(FINAL)
  - OPERATION TEMPERATURE: -40°C TO +80°C
  - MATING FORCE: 2.04Kgf MAX. DURABILITY: 60 CYCLES
  - LOGO&DATE CODE:
    - LOGO:DR OR DEREN
    - DATE CODE:YYWDLX
    - YY: YEAR (09: 2009)
    - WW: WEEK (25: THE 25TH WEEK)
    - D: DAY (1~7: SUNDAY~SATURDAY)
    - L: LINE NUMBER OF ASSEMBLY (A: LINE A)
    - X: MANUFACTURE CODE
  - CONNECTOR ACTUAL PIN QUANTITY IS 67,AS THE KEY TAKING OUT 8 PINS.
  - RECOMMENDED STENCLL THICKNESS 0.12MM MIN
  - PART NUMBER DESCRIPTION:



5621D3-051 H - X 4 0 R

PACKING CODE:  
R: EMBOSS WIDTH 44mm, SLOT BACKWARD

RESERVED: 0

KEY TYPE:  
4: KEY E

PLATING CODE:  
1: Au GF      2: Au5u"  
3: Au10u"    4: Au15u"  
5: Au30u"

HALOGEN CODE: H:HALOGEN FREE

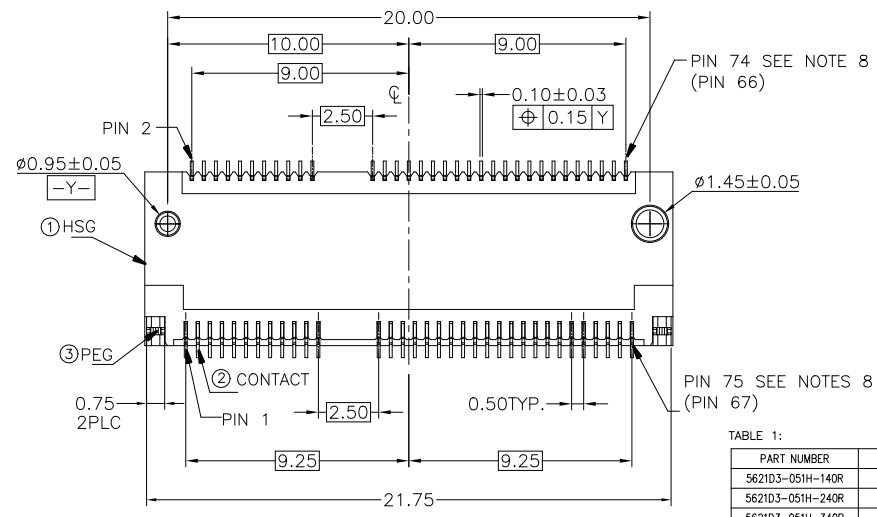
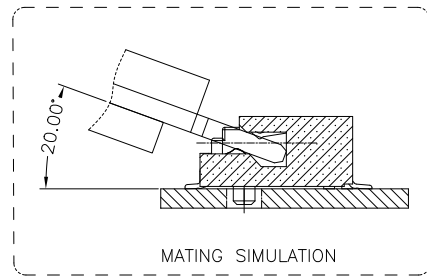


TABLE 1:

PART NUMBER	DESCRIPTION
5621D3-051H-140R	Au G/F ON CONTACT AREA
5621D3-051H-240R	Au 5u" ON CONTACT AREA
5621D3-051H-340R	Au 10u" ON CONTACT AREA
5621D3-051H-440R	Au 15u" ON CONTACT AREA
5621D3-051H-540R	Au 30u" ON CONTACT AREA

DIM	TOL	DIM	TOL
x.	±0.30	x.	±2*
.x	±0.25	.x	±1*
.xx	±0.15		

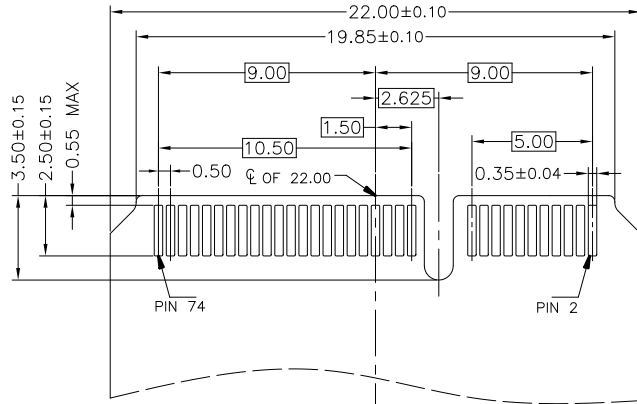
**DEREN**  
SHENZHEN DEREN ELECTRONIC CO., LTD

DRAW NO.	DESIGN:	TY	DATE	TITLE: M.2 5.5H KEY E GEN4 1A
SC2309307-2	Sid Guo		2023.11.27	P/N: SEE TABLE 1
REV. X1	CHECK:	APPROVAL:	DATE	SHEET: 1/3
	Mike Chen	Bill Lin	2023.11.27	SCALE: N/A UNIT: mm

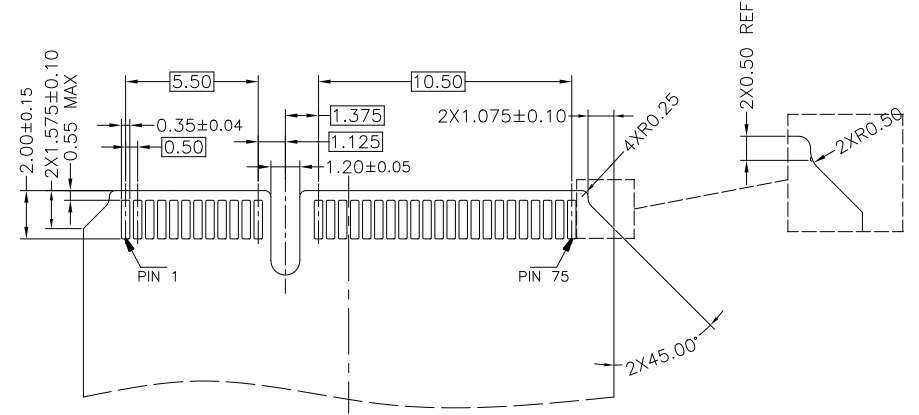
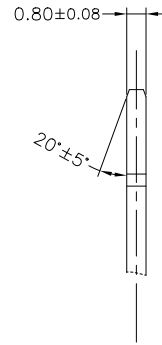
# HF

Halogen Free

## PLUG PCB

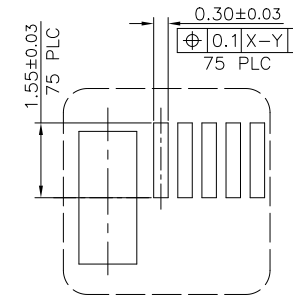
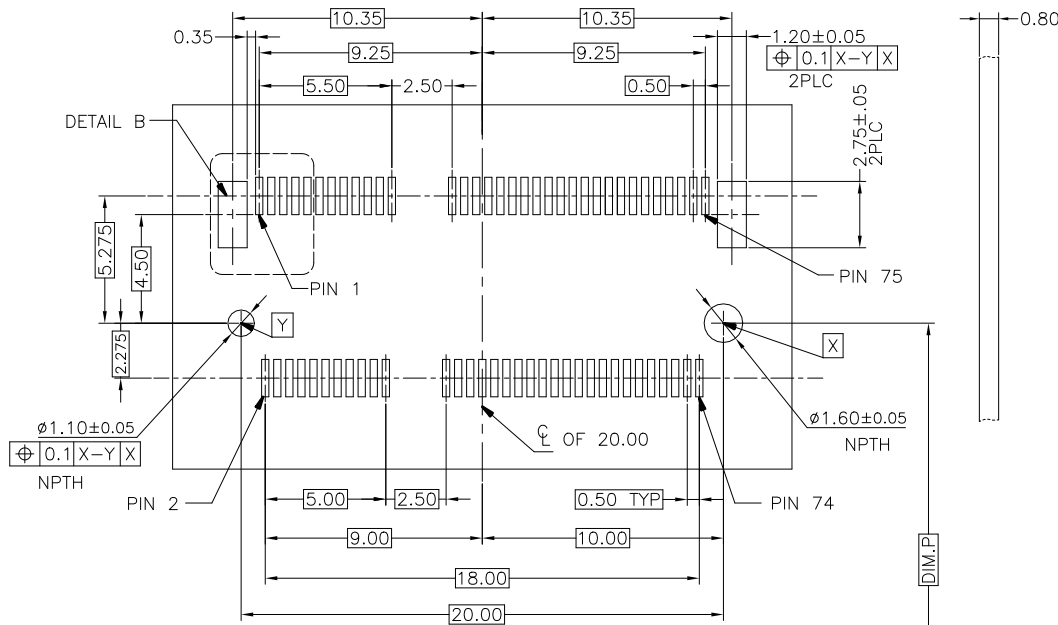


BOTTOM SIDE



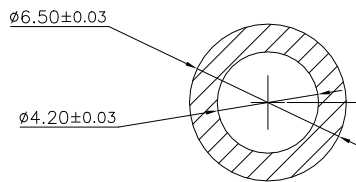
TOP SIDE

## RECOMMENDED PCB LAYOUT(TOP VIEW)

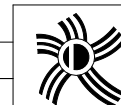


DETAIL B  
SCALE 2:1

22110	108.25
2280	78.25
2260	58.25
2242	40.25
2230	28.25
3042	40.25
3030	28.25
MODULE TYPE	DIM.P



DIM	TOL	DIM	TOL
.x	$\pm 0.30$	.x	$\pm 2^*$
.x	$\pm 0.25$	.x	$\pm 1^*$
.xx	$\pm 0.15$		



**DEREN**  
SHENZHEN DEREN ELECTRONIC CO., LTD

DRAW NO.  
SC2309307-2  
REV. X1

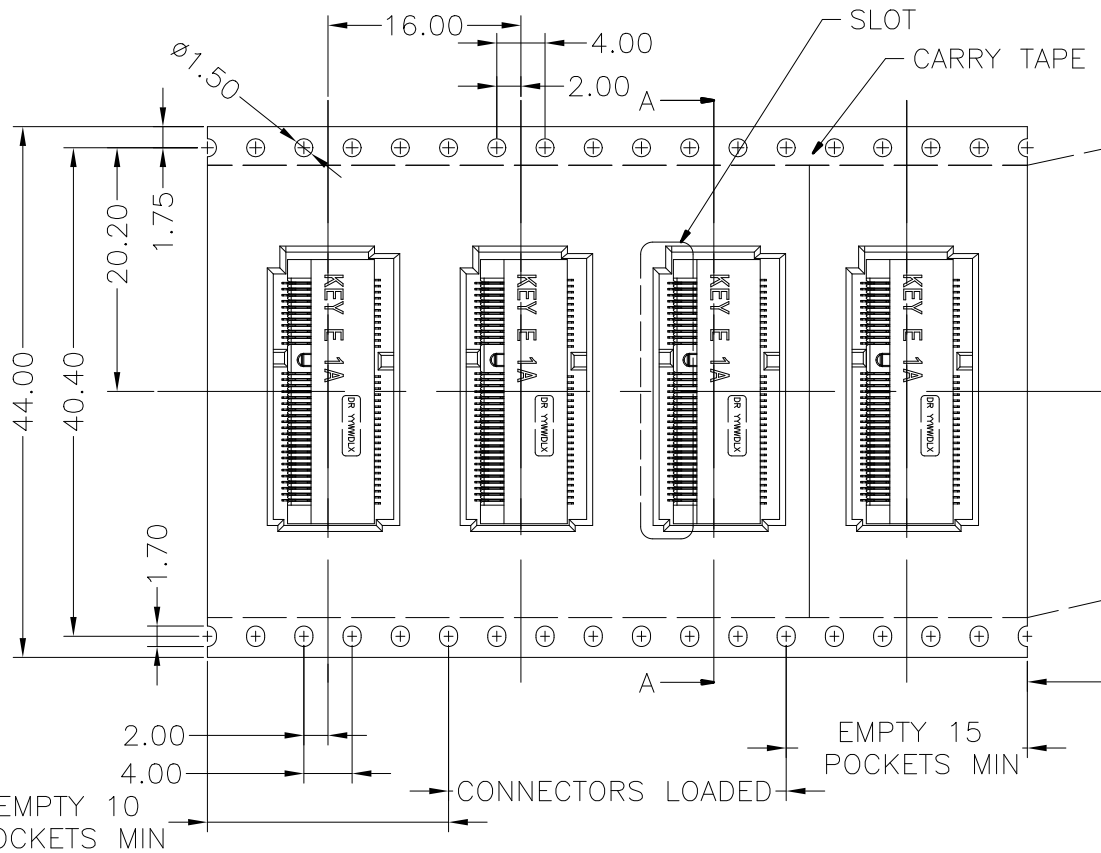
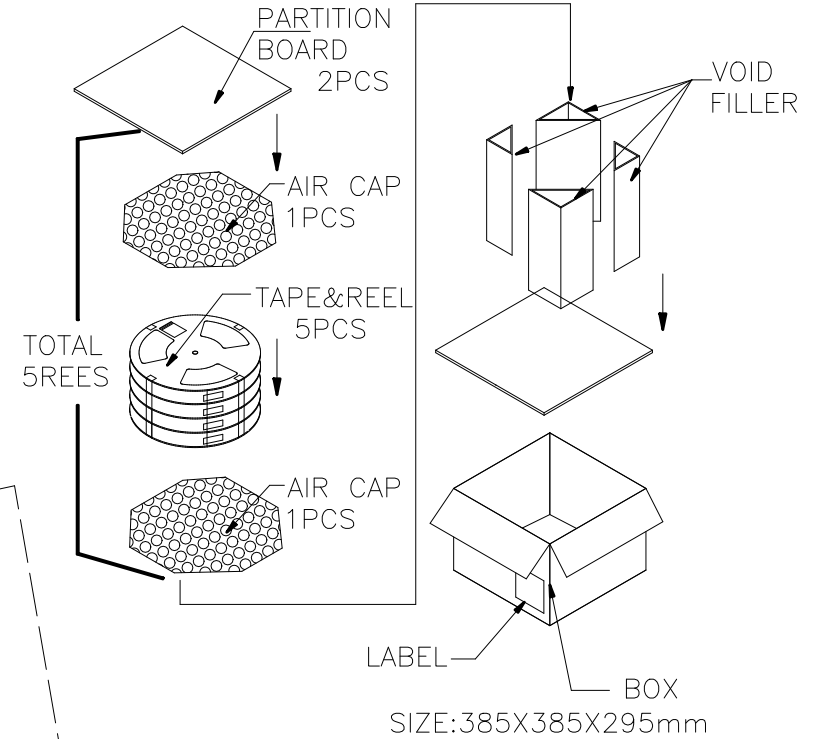
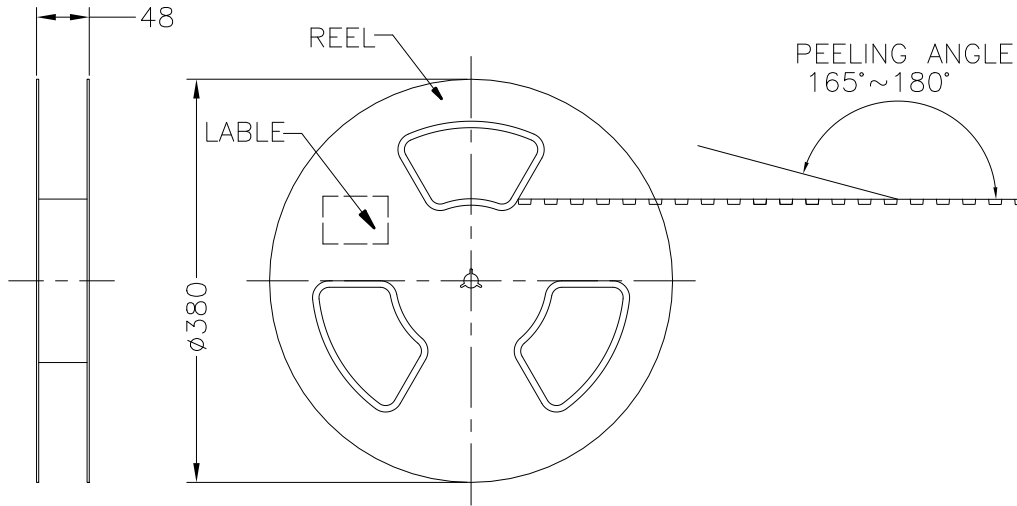
C-DWG	TY	DATE
DESIGN:	Sid Guo	2023.11.27
CHECK:	Mike Chen	2023.11.27
APPROVAL:	Bill Lin	2023.11.27

TITLE: M.2 5.5H KEY E GEN4 1A
P/N: SEE TABLE 1
SHEET: 2/3
SCALE: N/A
UNIT: mm

# HF

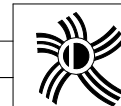
Halogen Free

FEEDING DIRECTION →



900	5	4500
PCS/ TAPE	REELS/ BOX	PCS/BOX

DIM	TOL	DIM	TOL
.x	±0.30	.x	±2*
.x	±0.25	.x	±1*
.xx	±0.15		



**DEREN**  
SHENZHEN DEREN ELECTRONIC CO., LTD

DRAW NO.  
SC2309307-2

C-DWG	TY	DATE
DESIGN:	Sid Guo	2023.11.27
CHECK:	Mike Chen	2023.11.27
APPROVAL:	Bill Lin	2023.11.27

TITLE: M.2 5.5H KEY E GEN4 1A
P/N: SEE TABLE 1
SHEET: 3/3
SCALE: N/A
UNIT: mm