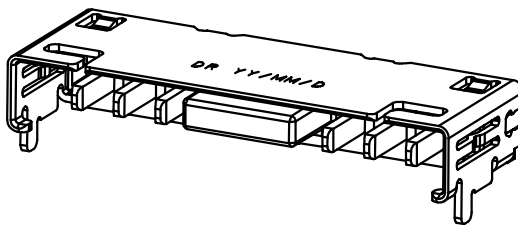
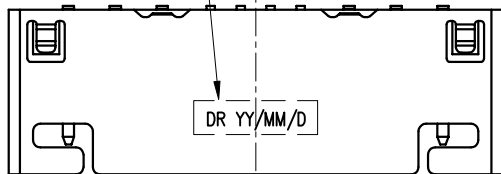


**HF**  
Halogen Free

**PB**

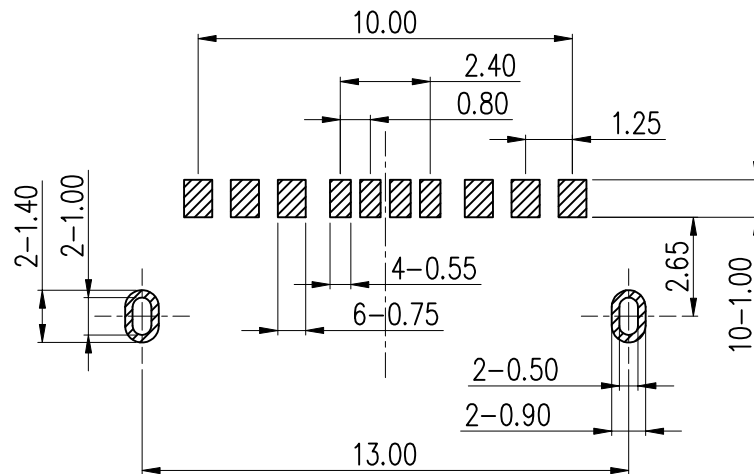
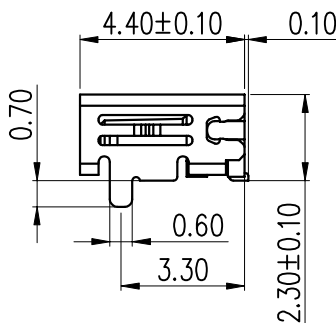
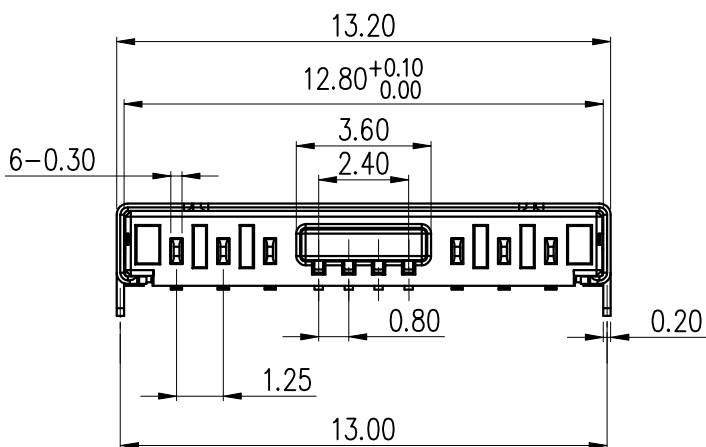
| REV. | ECN NO. | LOCATION | DESCRIPTION     | DATE       | DESIGN |
|------|---------|----------|-----------------|------------|--------|
| 2    |         |          | INITIAL RELEASE | 2020.05.03 | DWQ    |
| 3    |         |          | ADD D/C INFO    | 2020.10.28 | DWQ    |
| 4    |         |          | MODIFY TOL      | 2020.11.11 | DWQ    |

RECOMMENDED D/C POSITION

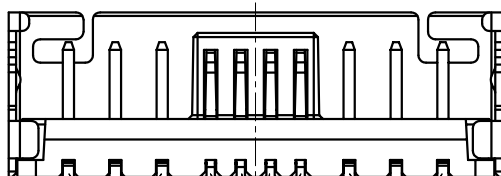


**NOTES:**

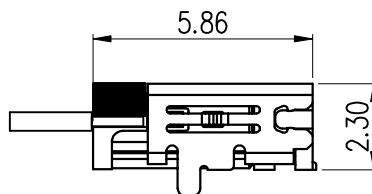
- PRODUCT MEETS CONTROLLED SUBSTANCES SPEC. ROHS.
- MATERIAL:
    - HOUSING: HIGH TEMPERATURE PLASTIC. UL94 V-0; COLOR: BLACK
    - CONTACT: COPPER ALLOY
    - SHELL: SUS
  - FINISH:
    - CONTACT:
      - 30u" MIN Au PLATING ON CONTACT AREA.
      - 100u" MIN. MATTE-TIN PLATING ON SOLDER TAIL AREA.
      - 50u" MIN. NICKEL UNDERPLATING OVERALL.
  - ELECTRICAL CHARACTERISTICS
    - CURRENT RATING: POWER PIN 3.5A PER PIN  
SIGNAL PIN 0.5A PER PIN
    - VOLTAGE RATING: 30V DC
    - DIELECTRIC WITHSTANDING VOLTAGE: 100VAC
  - DURABILITY: 60 CYCLES



▨ PAD AREA  
RECOMMENDED P.C.B LAYOUT  
TOLERANCE: ±0.05



POWER PIN    SIGNAL PIN    POWER PIN



MATING DRAWING

| DIM | TOL   | DIM | TOL |
|-----|-------|-----|-----|
| x.  | ±0.25 | x.  | ±2' |
| .x  | ±0.20 | .x  | ±1' |
| .xx | ±0.15 |     |     |



**DEREN**

SHENZHEN DEREN ELECTRONIC CO., LTD

|                  |            |                                    |
|------------------|------------|------------------------------------|
| CUSTOMER DRAWING | DATE       | TITLE: BATTERY 10PIN REC R/A H2.30 |
| DESIGN: DWQ      | 2020.11.11 | P/N: 560A09-001H                   |
| CHECK:           |            | SHEET: 1/2                         |
| APPROVAL         |            | SCALE: N/A UNIT: mm                |

A

B

C

D

E

A

B

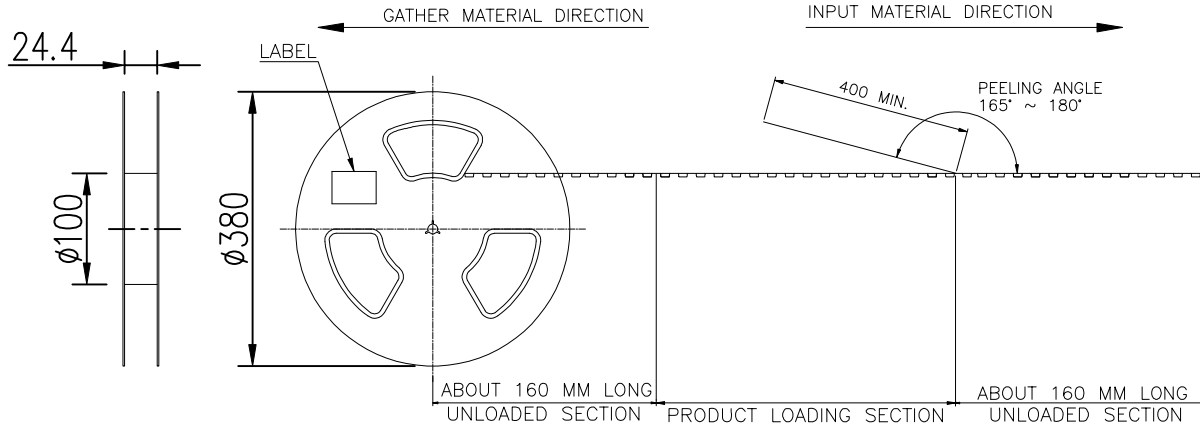
C

D

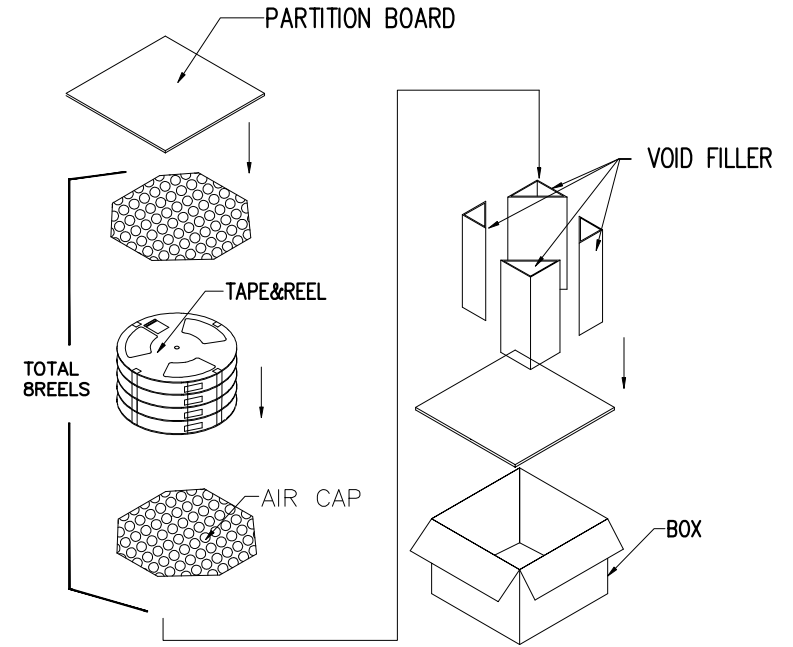
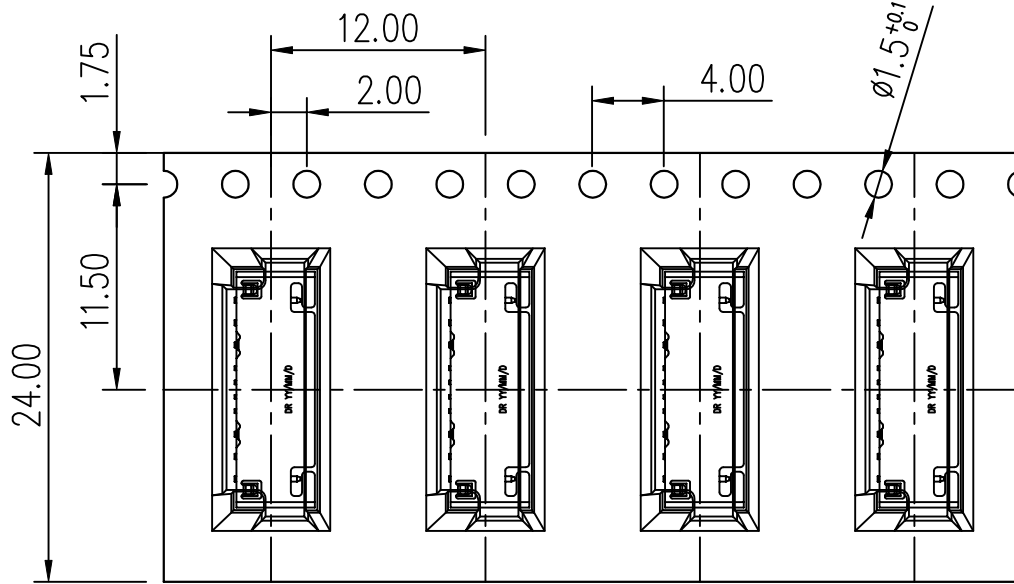
E

1 2 3 4 5 6 7 8

1 2 3 4 5 6 7 8



1. MATERIAL:  
COVER TAPE: PET,  
CARRIER TAPE: PS OR PET  
REEL: PS  
SHIPPING BOX: CORRUGATED FIBER
2. DIMENSION:  
REEL: SEE DRAWING  
BOX: 385X385X250mm
3. QUANTITY: SEE TABLE



➤ PULL OUT DIRECTION

|          |             |            |
|----------|-------------|------------|
| 2000     | 8           | 16000      |
| PCS/REEL | REEL/CARTON | PCS/CARTON |

| DIM | TOL | DIM | TOL |
|-----|-----|-----|-----|
| x   |     | x   |     |
| .x  |     | .x  |     |
| .xx |     |     |     |



**DEREN**  
SHENZHEN DEREN ELECTRONIC CO., LTD

|                  |     |            |                                    |  |
|------------------|-----|------------|------------------------------------|--|
| CUSTOMER DRAWING |     | DATE       | TITLE: BATTERY 10PIN REC R/A H2.30 |  |
| DESIGN:          | DWQ | 2020.11.11 | P/N: 560A09-001H                   |  |
| CHECK:           |     |            | SHEET: 2/2                         |  |
| APPROVAL         |     |            | SCALE: N/A UNIT: mm                |  |
| DRAW NO.         | *** |            |                                    |  |
| REV.             | 4   |            |                                    |  |