

HF
Halogen Free



REV.	ECN NO.	LOCATION	DESCRIPTION	DATE	DESIGN
X1			PROPOSAL	2020.04.29	DWQ
X2			INITIAL RELEASE	2020.05.03	DWQ
X3			UPDATE DRAWING	2020.05.21	DWQ

NOTES:

PRODUCT MEETS CONTROLLED SUBSTANCES SPEC. ROHS.

1. MATERIAL:

1.1 HOUSING: HIGH TEMPERATURE PLASTIC. UL94 V-0;

COLOR: NATURAL

1.2 CONTACT: COPPER ALLOY

1.3 SHELL: SUS

2. FINISH:

2.1 CONTACT:

30u" MIN. Au PLATING ON CONTACT AREA.

100u" MIN. MATTE-TIN PLATING ON SOLDER TAIL AREA.

50u" MIN. NICKEL UNDERPLATING OVERALL.

2.2 SHELL:

50u" MIN. NICKEL UNDERPLATING OVERALL.

3. ELECTRICAL CHARACTERISTICS

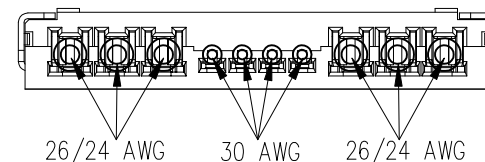
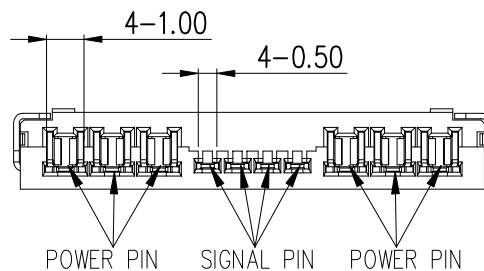
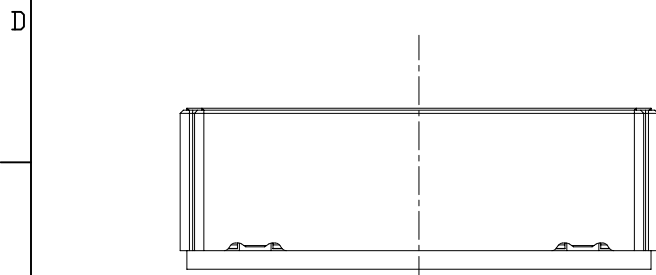
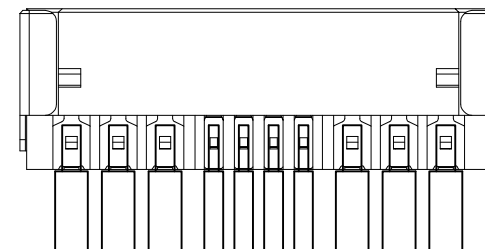
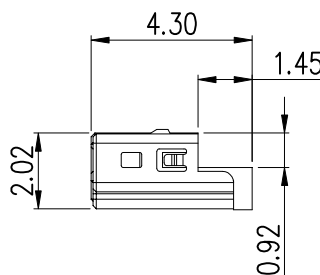
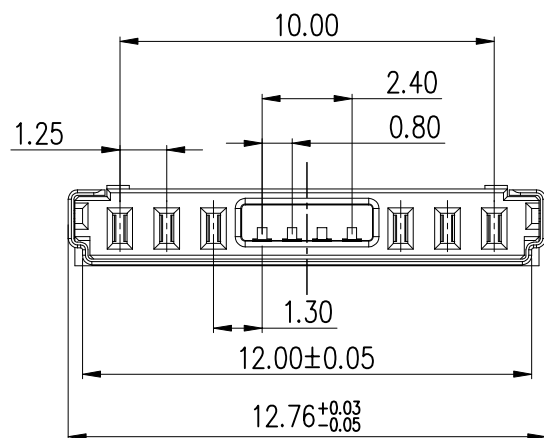
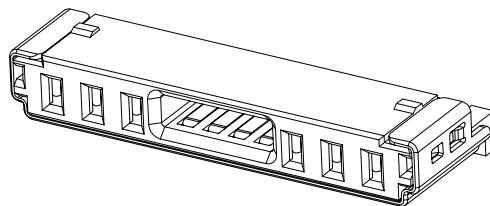
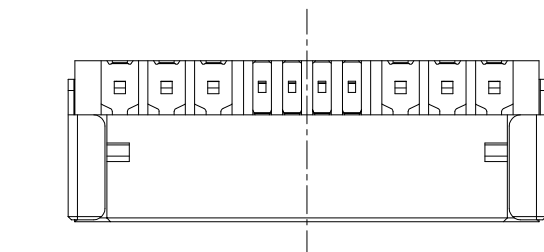
3.1 CURRENT RATING: POWER PIN 3.5A PER PIN

SIGNAL PIN 0.5A PER PIN

3.2 VOLTAGE RATING: 30V DC

3.3 DIELECTRIC WITHSTANDING VOLTAGE: 100VAC

4. DURABILITY: 30 CYCLES



DIM	TOL	DIM	TOL
x.	±0.30	x.	±2°
.x	±0.25	.x	±1°
.xx	±0.20		



DEREN

SHENZHEN DEREN ELECTRONIC CO., LTD

CUSTOMER DRAWING		DATE		TITLE: BATTERY 10PIN PLUG CONN	
DESIGN:	DWQ	2020.05.21		P/N:	560A10-001H
CHECK:				SHEET:	1/2
REV.	X3	APPROVAL		SCALE:	N/A
				UNIT:	mm

1 2 3 4 5 6 7 8

A

B

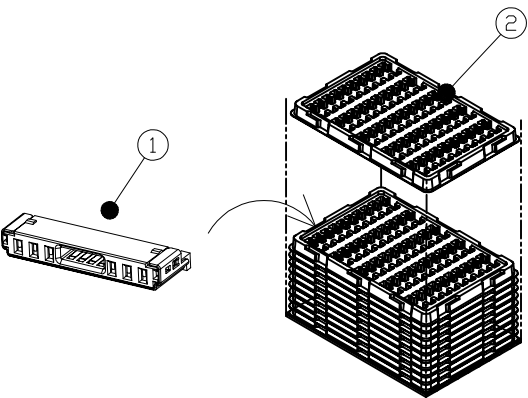
C

D

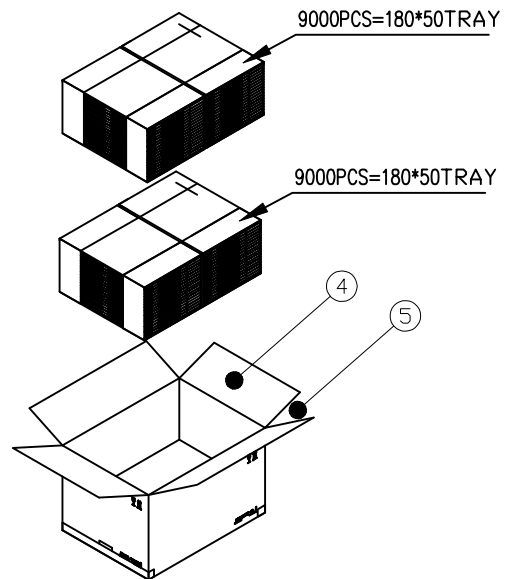
E

NOTE:

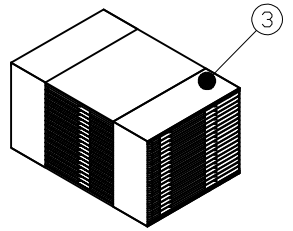
- 1 .Put the products into tray with direction as the left sketch shown, 180pcs/tray. 25 trays stacked up per bundle. Then add an empty tray on topside.
2. Wind the two ends with PE film.
3. Put the products bundled into carton, 4bundles/carton, 2 bundles on each left and right sides and place a division plate in middle.
4. Seal outer carton with packing tape like a 'H' shape
5. Packaging quantity: 18000pcs/ carton.



Step1. Put the products into tray with direction as the left sketch shown, 180pcs/tray. 25 trays stacked up per bundle. Then add an empty tray on topside.

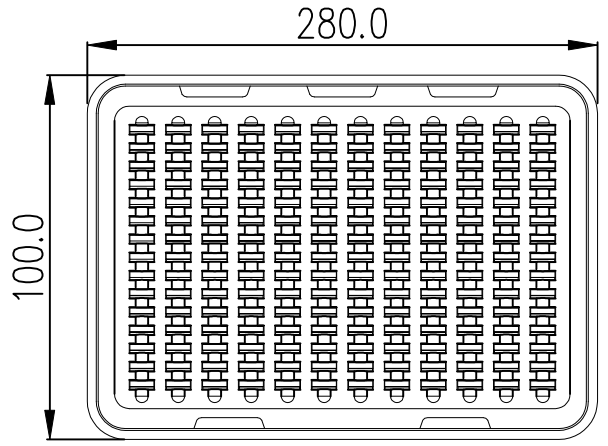


Step3. Put the products bundled into carton, 4bundles/carton, 2 bundles on each left and right sides and place a division plate in middle.



Step2. Wind the two ends with PE film.

Step4. Seal outer carton with packing tape like a 'H' shape, then paste labels.



TRAY LAYOUT: 180PCS/TRAY
SCALE 1: 4

6	PACKING TAPE	-	-	-
5	BAG	-	-	1/18000
4	CARTON	-	435*320*285MM(INNER)	1/18000
3	PE FILM	-	-	-
2	TRAY	-	280*200MM	104/18000
1	CONN	-	-	1
NO.	PART NAME	PART NUMBER	SPEC.	QTY

DIM	TOL	DIM	TOL
x.	±0.30	x.	±2'
.x	±0.25	.x	±1'
.xx	±0.20		

DEREN
SHENZHEN DEREN ELECTRONIC CO., LTD

CUSTOMER DRAWING	DATE	TITLE: BATTERY 10PIN PLUG CONN
DESIGN: DWQ	2020.05.21	P/N: 560A10-001H
CHECK:		SHEET: 2/2
REV. X3	APPROVAL	SCALE: N/A UNIT: mm

1 2 3 4 5 6 7 8