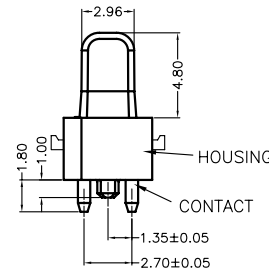
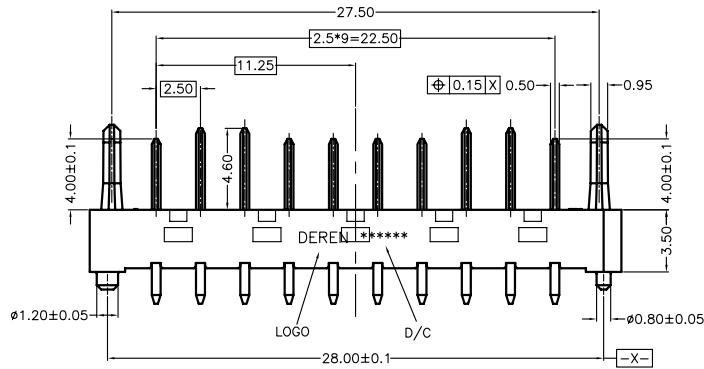
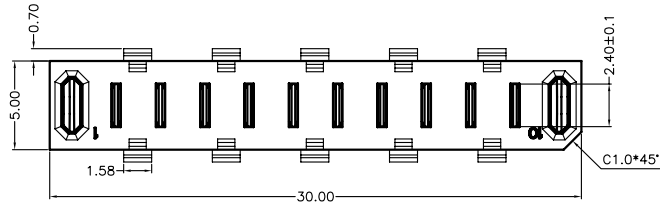


HF

Halogen Free



REV.	ECN NO.	LOCATION	DESCRIPTION	DATE	DESIGN
A			INITIAL RELEASE	6/16'2015	Angel.Shen

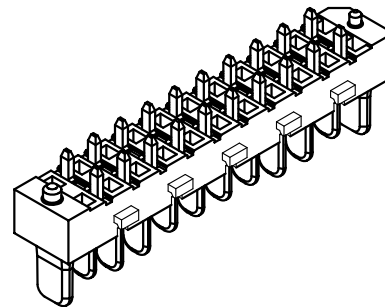
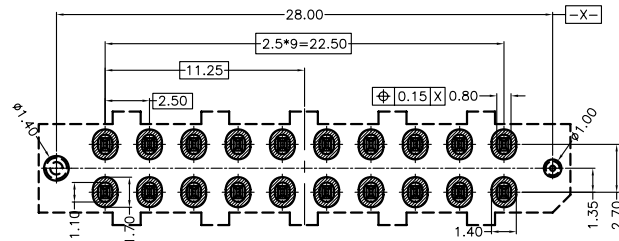


NOTES :

- MATERIAL :
 - HOUSING: HIGH TEMPERATURE THERMOPLASTIC, BLACK, UL94 V-0,
 - CONTACTS: COPPER ALLOY T=0.50mm,
- FINISH :
 - CONTACT
 - 5u"MIN Au PLATE ON THE CONTACT AREA,
 - 80u"MIN MATTE-TIN PLATE ON THE SOLDER AREA.
 - 50u"MIN NICKEL PLATE UNDERLAYER.
- DATE CODE : YYWWD
 - YY: YEAR (15: 2015)
 - WW: WEEK (25: THE 25TH WEEK)
 - D: (1~7: SUNDAY~SATURDAY)
- DURABILITY: 5000 CYCLES
- PART NUMBER DESCRIPTION :

C40 - 42488 - 010 0 * R HF

- HF: HALOGEN FREE
- PACKAGE CODE: R=TAPE REEL
- PLATE CODE: 1=GOLD FLASH
 - 2=Au 5u"
 - 3=Au 10u"
 - 4=Au 15u"
 - 5=Au 30u"
- RESERVED CODE
- PIN NUMBER: 010=10 PINS



RECOMMENDED P.C.B LAYOUT
THICKNESS=1.2mm(TOLERANCE±0.05)

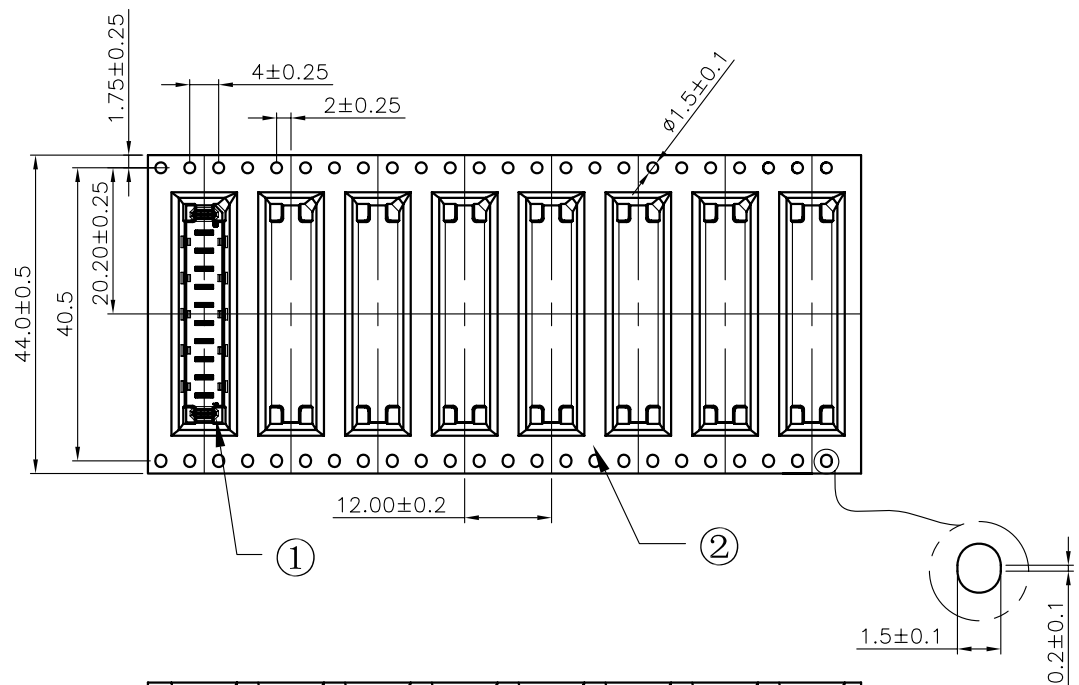
DIM	TOL	DIM	TOL
x	±0.15	x	±2°
.x	±0.15	.x	±1°
.xx	±0.15		



DEREN		SHENZHEN DEREN ELECTRONIC CO., LTD	
CUSTOMER DRAWING	DATE	TITLE: BATTERY 10P PLUG ASSEMBLY	
DESIGN: Jason.Yang	2015.09.18	P/N: C40-42488-01002RHF	
CHECK:		SHEET: 1/3	
APPROVAL:		SCALE: 1:1	UNIT: mm

DRAW NO. T-16-1012
REV. A

REV.	ECN NO.	LOCATION	DESCRIPTION	DATE	DESIGN
A			INITIAL RELEASE	2015.09.11	Jason.Yang



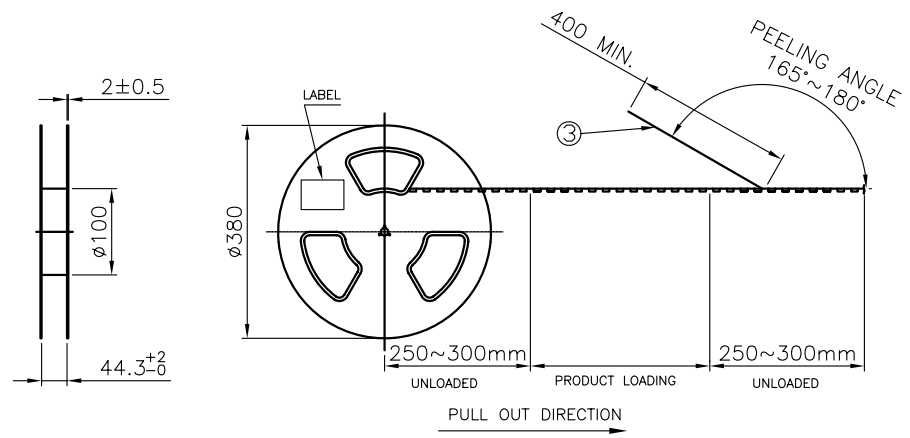
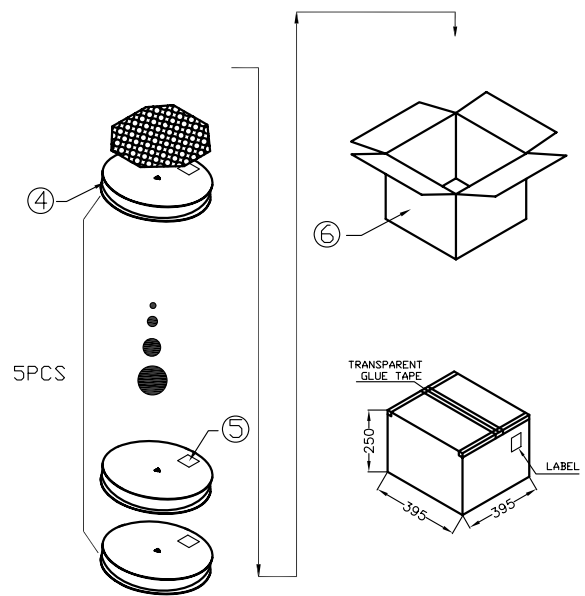
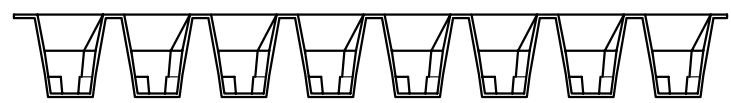
NOTES :

PACKAGING MATERIAL IN PLASTIC, RUBBER, INK, PIGMENT AND PAINT MUST MEET CONTROLLED SUBSTANCES SPEC ROHS 2.0.

- * CADMIUM AND CADMIUM COMPOUNDS NOT TO EXCEED: 5 PPM.
- * LEAD, CADMIUM, CHROM VI AND MERCURY NOT TO EXCEED: 100 PPM (COMBINED).
- * CARRIER TAPES, COVER TAPES, REELS AND TAPED COMPONENTS MUST MEET THE REQUIREMENTS DEFINED PER ROHS 2.0.

1. MATERIAL :
 COVER TAPE : PET,
 CARRIER TAPE : HIPS
 REEL : PS
 SHIPPING BOX: CORRUGATED FIBER

2. DIMENSION :
 REEL : SEE DRAWING
 BOX : SEE DRAWING



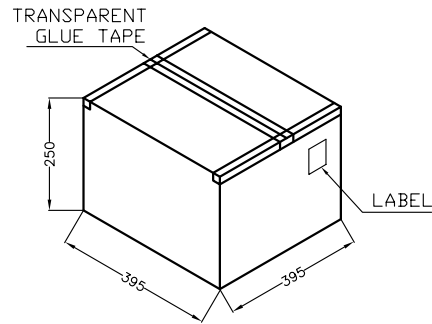
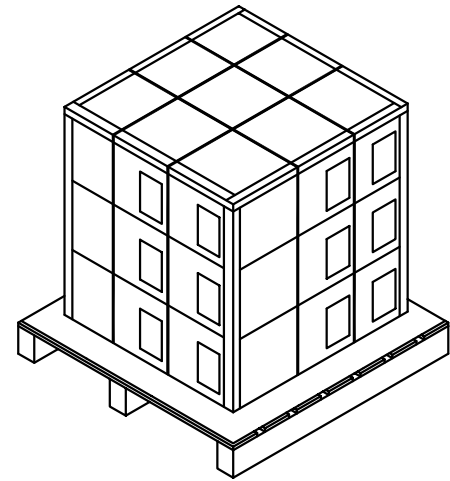
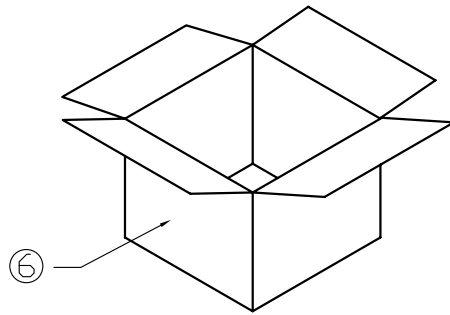
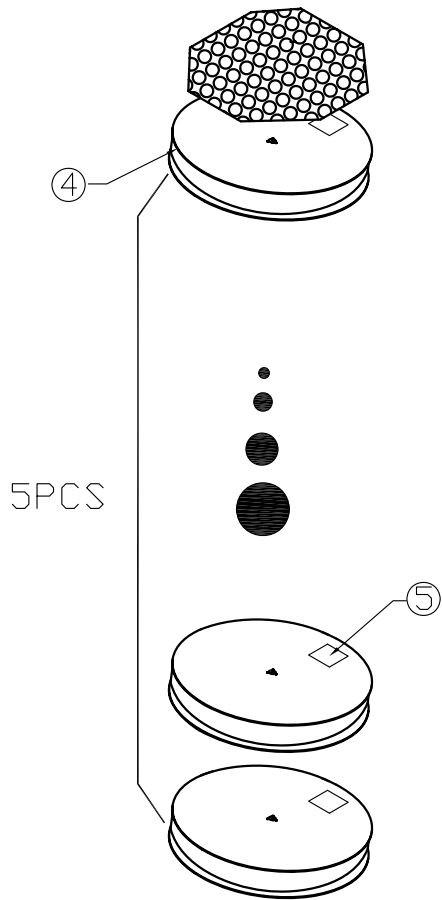
DIM	TOL	DIM	TOL
.x		.x	±2'
.x		.x	±1'
.xx			




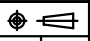
DEREN
 SHENZHEN DEREN ELECTRONIC CO., LTD

CUSTOMER	DRAWING	DATE	TITLE: battery 10P PLUG packing
DESIGN:	Jason.Yang	2015.09.11	P/N: PK40-42488-01002RHF
CHECK:			SHEET: 2/3
APPROVAL:			SCALE: 1:1 UNIT: mm

REV.	ECN NO.	LOCATION	DESCRIPTION	DATE	DESIGN
A			INITIAL RELEASE	2015.09.11	Jason.Yang



DIM	TOL	DIM	TOL
.x	±0.15	.x	±2°
.x	±0.15	.x	±1°
.xx	±0.15		

	DEREN		SHENZHEN DEREN ELECTRONIC CO., LTD	
	CUSTOMER DRAWING	DATE	TITLE: battery 10P PLUG packing	
	DESIGN: Jason.Yang	2015.09.11	P/N: PK40-42488-01002RHF	
	CHECK:		SHEET: 3/3 	
REV. A	APPROVAL:		SCALE: 1:1	UNIT: mm

1 2 3 4 5 6 7 8

A

B

C

D

E

1 2 3 4 5 6 7 8